

VIA BOWLING

Mc2 PIN SETTER

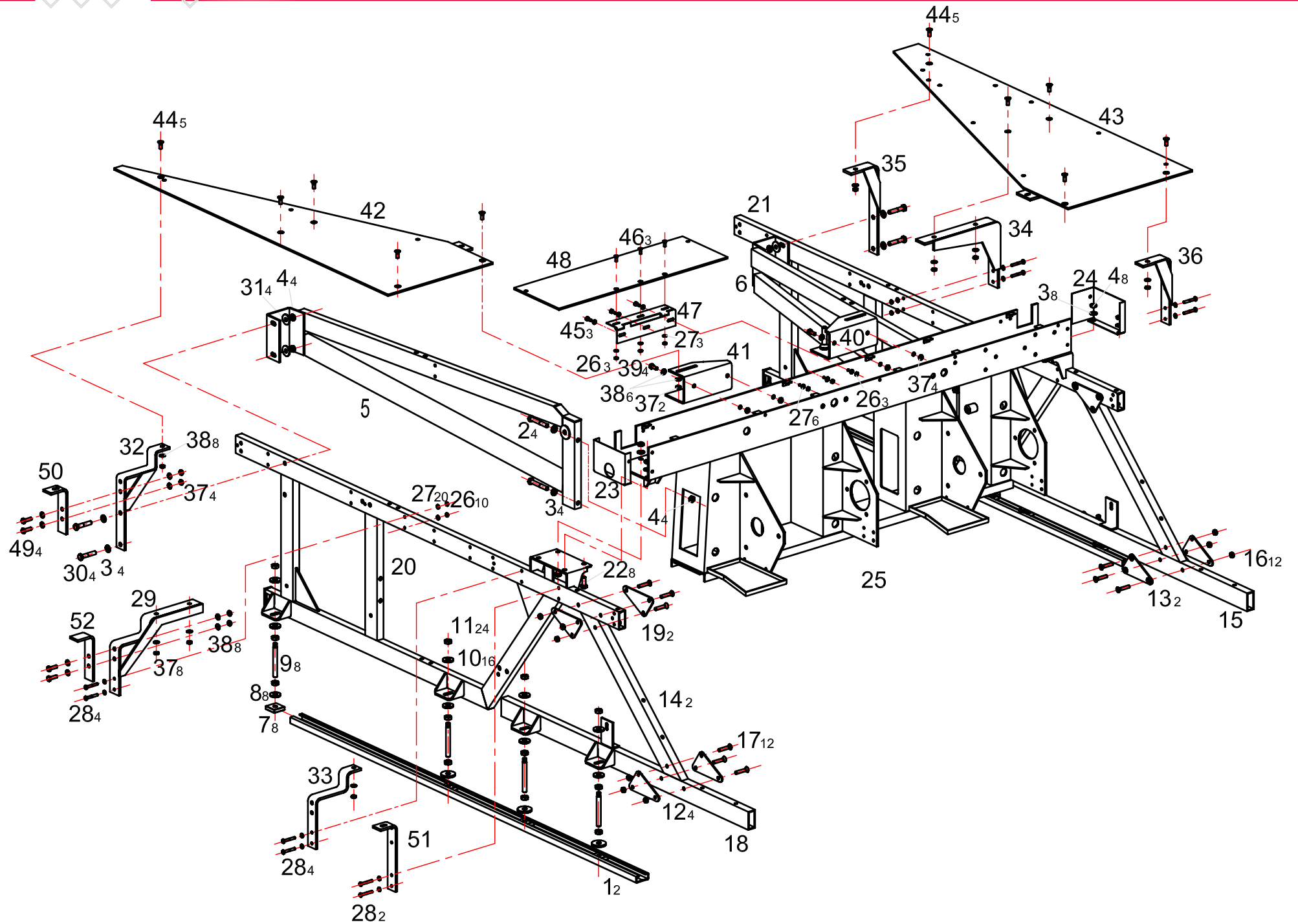
Part Manual



VIA BOWLING PRODUCTS

File No.: M200504-01

COPYRIGHT 2005, VIA BOWLING PRODUCTS

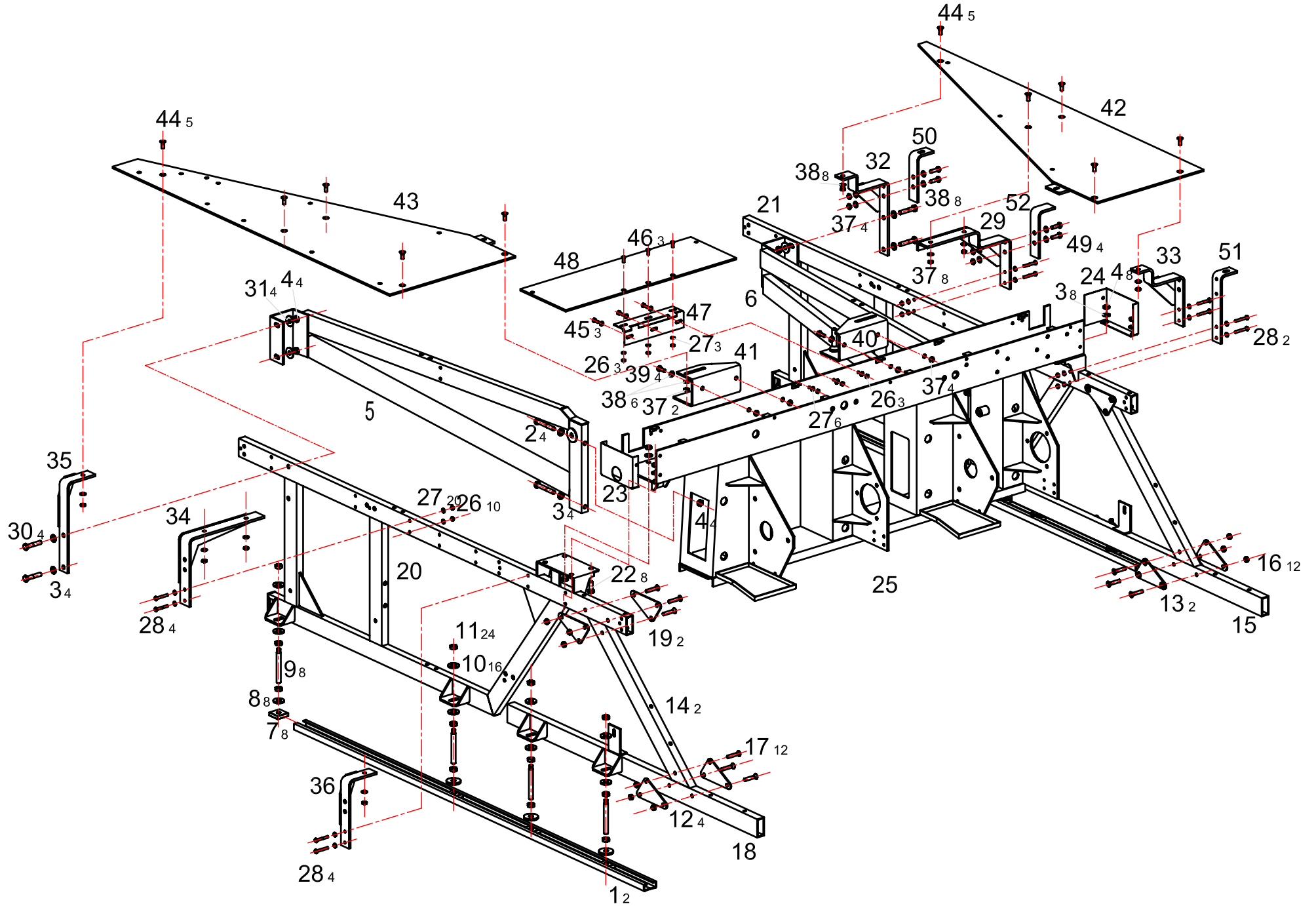


ITEM	PART NO.	DESCRIPTION
1	BL05-31	LONG UNISTRUT
2	GB5783-86 M10X70	HEX CAP SCREW
3	GB97.1-85 10	FLAT WASHER
4	GB6184-86 M10	LOCKNUT
5	BL02A-29-00	FRAME BRACE WELDMENT, L.H.
6	BL02A-30-00	FRAME BRACE WELDMENT, R.H.
7	BL02A-32	UNISTRUCT NUT
8	BL02A-33	WASHER, SPECIAL
9	BL02A-35	BOLT, SPECIAL
10	BL02A-34	WASHER, SPECIAL
11	GB6184-86 M12	LOCKNUT
12	BL03-09-11	ORIENTATION PLATE
13	CEBL05-01-02-03	LOCATING PANEL
14	CEBL05-01-02-04	RECTANGLE TUBE
15	CEBL05-01-02-01-00	FIXING FRAME
16	GB6170-86 M8	NUT
17	GB2673-86 M8X40	FLAT SOCKET CAP SCREW
18	CEBL05-01-03-01-00	FIXING FRAME
19	CEBL05-01-02-02	LOCATING PANEL
20	BL05-27-00	SIDE FRAME, L. H.
21	BL05-28-00	SIDE FRAME, R. H.
22	GB5783-86 M10X25	HEX CAP SCREW
23	BL02A-01-07-01	END CAP
24	BL02A-01-07-13A	END CAP
25	BL05-01-07-02-00	CROSSBEAM WELDMENT
26	GB6184-86 M6	LOCKNUT

ITEM	PART NO.	DESCRIPTION
27	GB97.1-85 6	FLAT WASHER
28	GB5782-86 M6X45	HEX CAP SCREW
29	CEBL05B-02-11-00	BRACKET
30	GB5782-86 M10X50	HEX CAP SCREW
31	GB96-85 10	FLAT WASHER
32	CEBL05B-02-10-00	BRACKET
33	CEBL05B-02-12-00	BRACKET
34	CEBL05B-02-14-00	NORMAL BRACKET
35	CEBL05B-02-13-00	LONG BRACKET
36	CEBL05B-02-15-00	SHORT BRACKET
37	GB6184-86 M8	LOCKNUT
38	GB97.1-85 8	FLAT WASHER
39	GB5783-86 M8X20	HEX CAP SCREW
40	CEBL05B-02-01-00	FIXING PANEL R.H.
41	CEBL05B-02-02-00	FIXING PANEL L.H.
42	CEBL05B-02-04-00	NORMAL BRACKET
43	CEBL05B-02-03-00	NARROW PLATFORM
44	GB2673-86 M8X25	FLAT SOCKET CAP SCREW
45	GB5782-86 M6X20	HEX CAP SCREW
46	GB2673-86 M6X16	FLAT SOCKET CAP SCREW
47	CEBL05B-02-05-02-10	HINGE
48	CEBL05B-02-05-01	CENTER PLATFORM
49	GB5783-86 M8X50	HEX CAP SCREW
50	CEBL05B-02-08	BRACKET
51	CEBL05B-02-06	BRACKET
52	CEBL05B-02-07	BRACKET

FRONT END FRAME & PLATFORM ASSEMBLY L.H.

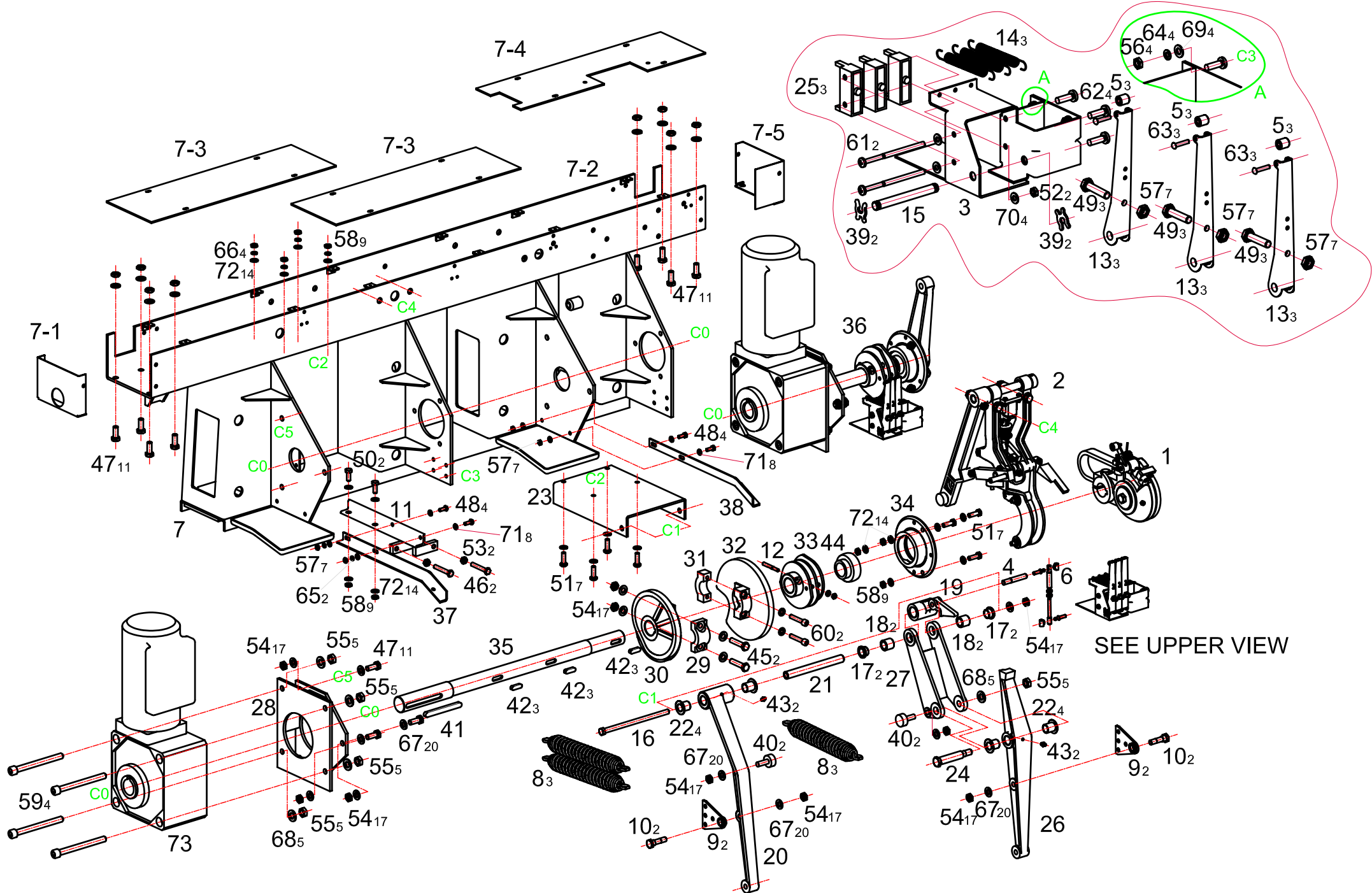




ITEM	PART NO.	DESCRIPTION
1	BL05-31	LONG UNISTRUT
2	GB5783-86 M10X70	HEX CAP SCREW
3	GB97.1-85 10	FLAT WASHER
4	GB6184-86 M10	LOCKNUT
5	BL02A-29-00	FRAME BRACE WELDMENT, L.H.
6	BL02A-30-00	FRAME BRACE WELDMENT, R.H.
7	BL02A-32	UNISTRUCT NUT
8	BL02A-33	WASHER, SPECIAL
9	BL02A-35	BOLT, SPECIAL
10	BL02A-34	WASHER, SPECIAL
11	GB6184-86 M12	LOCKNUT
12	BL03-09-11	ORIENTATION PLATE
13	CEBL05-01-02-03	LOCATING PANEL
14	CEBL05-01-02-04	RECTANGLE TUBE
15	CEBL05-01-02-01-00	FIXING FRAME
16	GB6170-86 M8	NUT
17	GB2673-86 M8X40	FLAT SOCKET CAP SCREW
18	CEBL05-01-03-01-00	FIXING FRAME
19	CEBL05-01-02-02	LOCATING PANEL
20	BL05-27-00	SIDE FRAME, L. H.
21	BL05-28-00	SIDE FRAME, R. H.
22	GB5783-86 M10X25	HEX CAP SCREW
23	BL02A-01-07-01	END CAP
24	BL02A-01-07-13A	END CAP
25	BL05-01-07-02-00	CROSSBEAM WELDMENT
26	GB6184-86 M6	LOCKNUT

ITEM	PART NO.	DESCRIPTION
27	GB97.1-85 6	FLAT WASHER
28	GB5782-86 M6X40	HEX CAP SCREW
29	CEBL05B-02-11-00	SUPPORT
30	GB5782-86 M10X50	HEX CAP SCREW
31	GB96-85 10	FLAT WASHER
32	CEBL05B-02-10-00	SUPPORT
33	CEBL05B-02-12-00	SUPPORT
34	CEBL05B-02-14-00	SUPPORT
35	CEBL05B-02-13-00	SUPPORT
36	CEBL05B-02-15-00	SUPPORT
37	GB6184-86 M8	LOCKNUT
38	GB97.1-85 8	FLAT WASHER
39	GB5783-86 M8X20	HEX CAP SCREW
40	CEBL05B-02-01-00	FIXING PANEL R.H.
41	CEBL05B-02-02-00	FIXING PANEL L.H.
42	CEBL05B-02-04-00	NORMAL BRACKET
43	CEBL05B-02-03-00	NARROW PLATFORM
44	GB2673-86 M8X20	FLAT SOCKET CAP SCREW
45	GB5782-86 M6X16	HEX CAP SCREW
46	GB2673-86 M6X16	FLAT SOCKET CAP SCREW
47	CEBL05B-02-05-02-10	HINGE
48	CEBL05B-02-05-01	CENTER PLATFORM
49	GB5783-86 M8X25	HEX CAP SCREW
50	CEBL05B-02-08	BRACKET
51	CEBL05B-02-06	BRACKET
52	CEBL05B-02-07	BRACKET

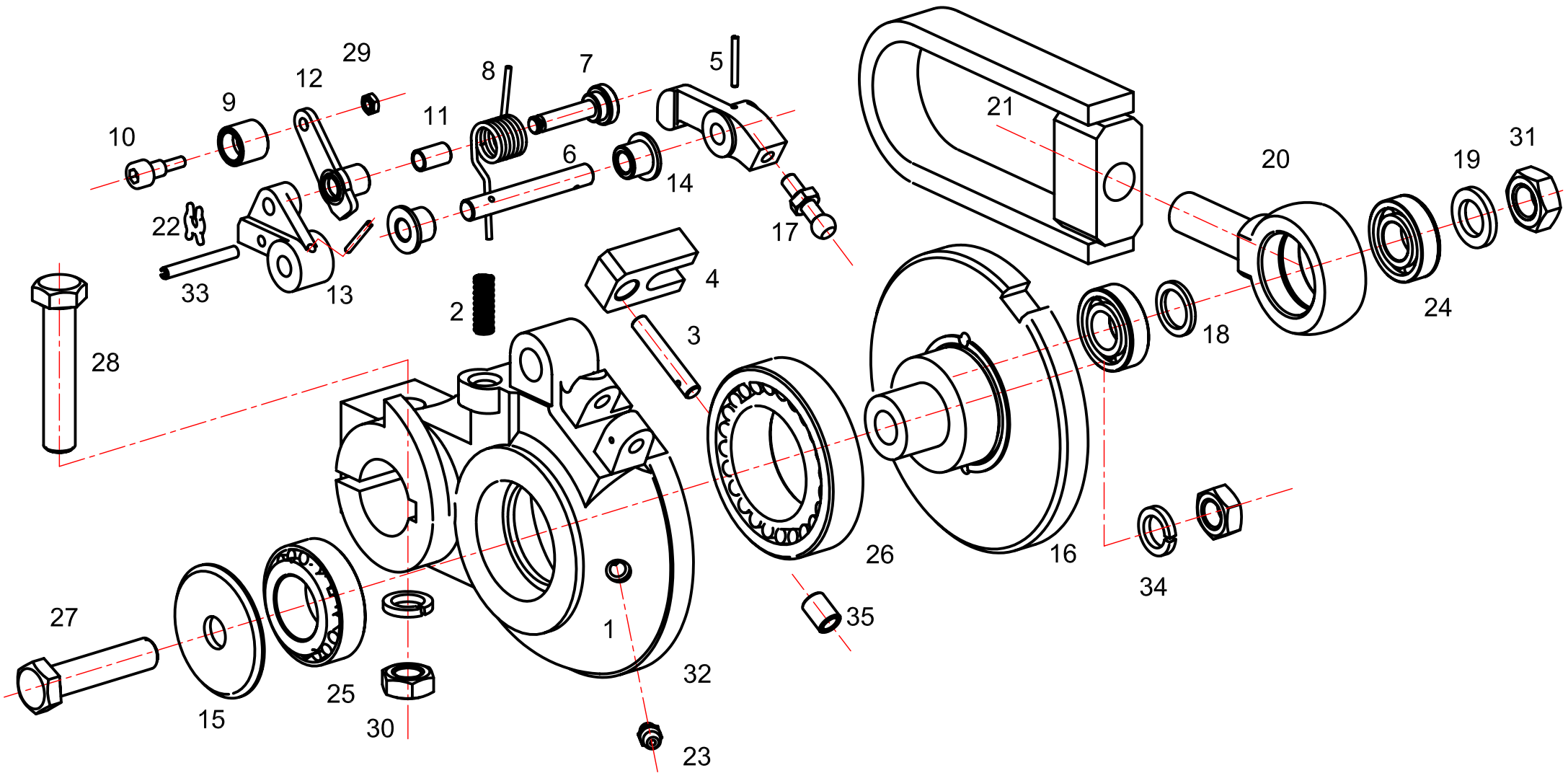
FRONT END FRAME & PLATFORM ASSEMBLY R.H.



ITEM	PART NO.	DESCRIPTION
1	BL03-01-01-00	TABLE DRIVE ASSEMBLY
2	BL03-01-02-00	SOLENOID OPERATED SHUTTLE ASS.
3	BL02A-01-03-00	HOUSING WELDMENT
4	BL03-01-02-32	ROLL PIN
5	BL02A-01-05	ROLL PIN
6	BL03-01-06-00	BALL JOINT
7	BL05-01-07-00	CROSSBEAM WELDMENT
8	BL03-01-08	SPRING
9	BL03-01-09-00	SPRING HANGER
10	BL03-01-10	SPRING HANGER PIN
11	BL03-01-11-00	CONFINE PANEL
12	BL03-01-12	CLAMP STUD
13	BL03-01-13	SWITCH LEVER
14	BL02A-01-14	SPRING
15	BL02A-01-15	SHAFT
16	BL03-01-16	BOLT SPECIAL
17	BL02A-01-17	FLANGE BUSHING
18	BL02A-01-18	FLANGE BUSHING
19	BL02A-01-19	ALTERNATE LATCH
20	BL03-01-20	RESPOT ARM LINK
21	BL02A-01-21	SPOTTING ARM SHAFT
22	BL02A-01-22	FLANGLE BUSHING
23	BL02A-01-23	BRACKET
24	BL03-01-24	STOP LINK PIN
25	Z-15G-B	MICRO-SWITCH
26	BL03-01-26	SPOTTING ARM LINK ASSEMBLY
27	BL03-01-27	UPPER SPOTING LINK ASSEMBLY
28	BL05-01-38-05A-00	GEAR BOX BRACKET
29	BL02A-01-29	SPOT & RESPOT CAM HUB CAP
30	BL02A-01-30	SPOT & RESPOT CAM
31	BL03-01-31	SHUTTLE CAM HUB CAP
32	BL02A-01-32	SHUTTLE CAM
33	BL03-01-33A-00	TABLLE CAM WELDMENT
34	BL03-01-34	BEARING RETAINER
35	BL05-01-35C	TABLE DRIVE SHAFT
36	BL05-01-38-00	SWEEP DRIVE ASSEMBLY
37	BL02A-01-39A	LIGHT BRACKET
38	BL02A-01-39B	LIGHT BRACKET
39	BLB001-08	X WASHER
40	CF10K	CAM FITTING

ITEM	PART NO.	DESCRIPTION
41	GB1096-79 10X8X100	KEY
42	GB1096-79 8X7X28	KEY
43	GB1152-89 M6	GREASE FITTING
44	GB272-1993 UC206	BEARING
45	GB5782-86 M10X45	HEX CAP SCREW
46	GB5782-86 M8X50	HEX CAP SCREW
47	GB5783-86 M8X25	HEX CAP SCREW
48	GB5783-86 M6X16	HEX CAP SCREW
49	GB5783-86 M6X25	HEX CAP SCREW
50	GB5783-86 M8X20	HEX CAP SCREW
51	GB5783-86 M8X25	HEX CAP SCREW
52	GB6170-86 M4	NUT
53	GB6170-86 M8	NUT
54	GB6184-86 M8	LOCKNUT
55	GB6184-86 M12	LOCKNUT
56	GB6184-86 M5	LOCKNUT
57	GB6184-86 M6	LOCKNUT
58	GB6184-86 M8	LOCKNUT
59	GB70-85 M12X130	SOCKET HEAD CAP SCREW
60	GB70-85 M8X45	SOCKET HEAD CAP SCREW
61	GB818-85 M4X65	PAN HEAD SCREW
62	GB818-85 M5X20	PAN HEAD SCREW
63	GB867-86 3x15	RIVET
64	GB93-87 5	SPRING WASHER
65	GB93-87 6	SPRING WASHER
66	GB93-87 8	SPRING WASHER
67	GB97.1-85 10	FLAT WASHER
68	GB97.1-85 12	FLAT WASHER
69	GB97.1-85 4	FLAT WASHER
70	GB97.1-85 5	FLAT WASHER
71	GB97.1-85 6	FLAT WASHER
72	GB97.1-85 8	FLAT WASHER
73	FRONT END MOTOR & GEARBOX ASS'Y (SEE APPENDIX)	
74		
75		
76		
77		
78		
79		
80		

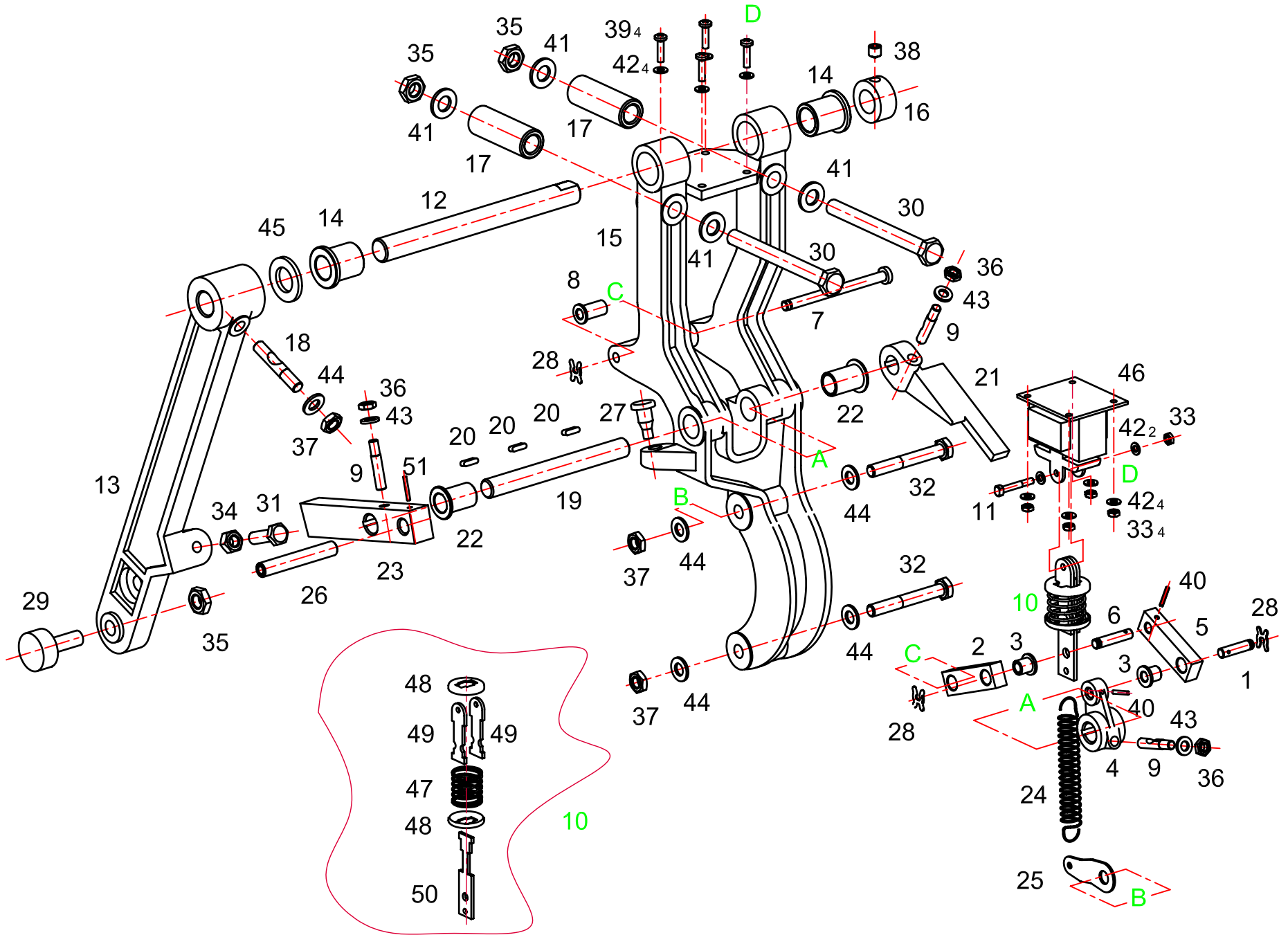




ITEM	PART NO.	DESCRIPTION
1	BL03-01-01-01	CRANK HOUSING & CUP
2	BL02A-01-01-02	SPRING
3	BL02A-01-01-03	PIVOT PIN
4	BL02A-01-01-04-02	LATCH
5	BL03-01-01-05	ARM LATCH
6	BL02A-01-01-06	PIN
7	BL02A-01-01-07	PIN
8	BL02A-01-01-08	SPRING
9	BL03-01-01-09	ROLLER
10	BL03-01-01-10	SHOULDER SCREW
11	BL02A-01-01-11	SLEEVE BUSHING
12	BL02A-01-01-12-00	LINK HUB WELDMENT
13	BL03-01-01-13	LINK
14	BL02A-01-01-14	FLANGE BUSHING
15	BL02A-01-01-15	DISC SPRING
16	BL03-01-01-16	TABLE DRIVE ECCENTRIC
17	BL03-01-01-17	CAM BALL ASSEMBLY
18	BL03-01-01-18	SPACER
19	BL03-01-01-19	SPACER
20	BL03-01-01-20	ROD END
21	BL03-01-01-21-00	YOKE WELDMENT
22	BLB001-6	X WASHER
23	GB1152-89 M6	GREASE FITTING
24	GB277-89 80102	BEARING
25	GB297-84 2007105E	BEARING
26	GB297-84 2007109E	BEARING

ITEM	PART NO.	DESCRIPTION
27	GB5782-86 M12X50	HEX CAP SCREW
28	GB5782-86 M12X60	HEX CAP SCREW
29	GB6170-86 M4	NUT
30	GB6184-86 M12	LOCKNUT
31	GB6184-86 M14	LOCKNUT
32	GB879-86 3X20	ROLL PIN
33	GB879-86 4X35	ROLL PIN
34	GB93-87 12	SPRING WASHER
35	BL02A-01-01-04-01	SELEEVE BUSHING
36		
37		
38		
39		
40		
41		
42		
43		
44		
45		
46		
47		
48		
49		
50		
51		
52		

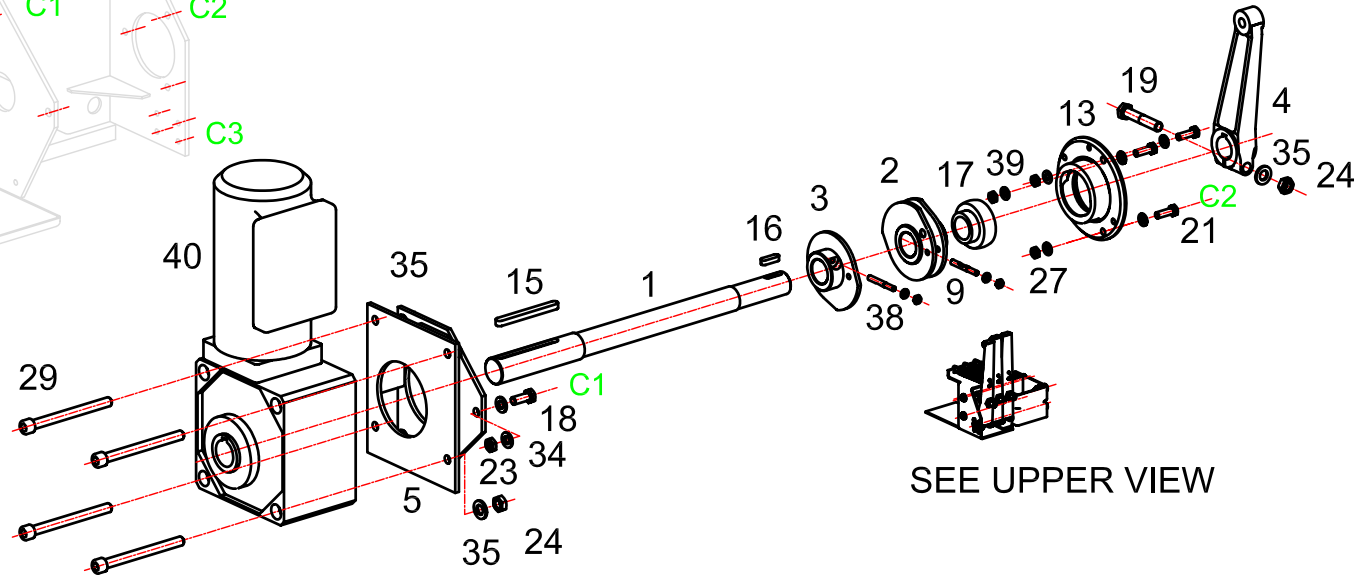
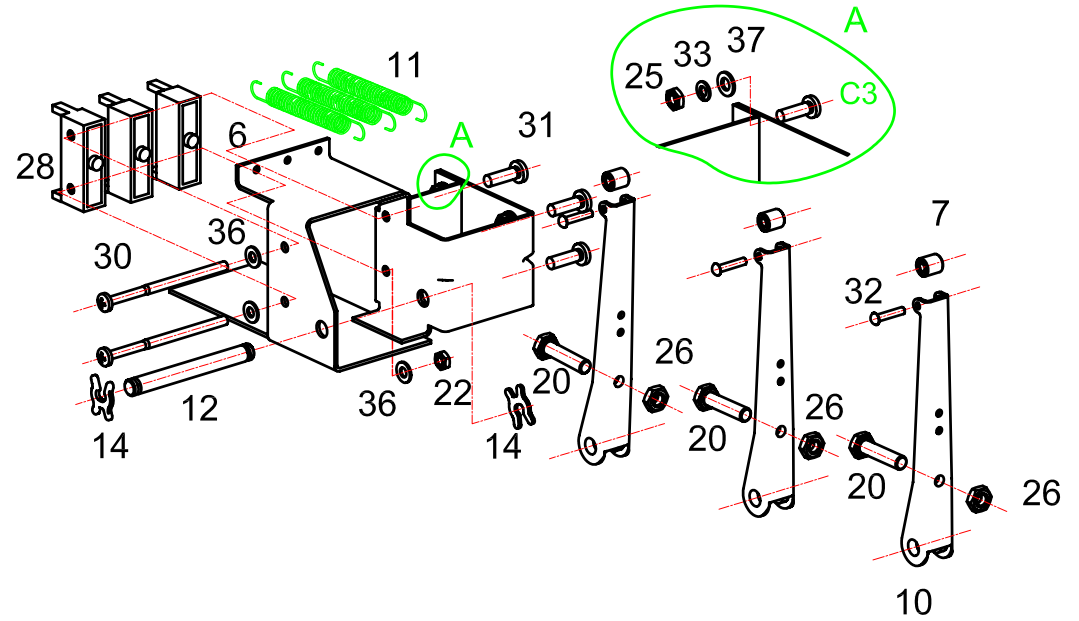
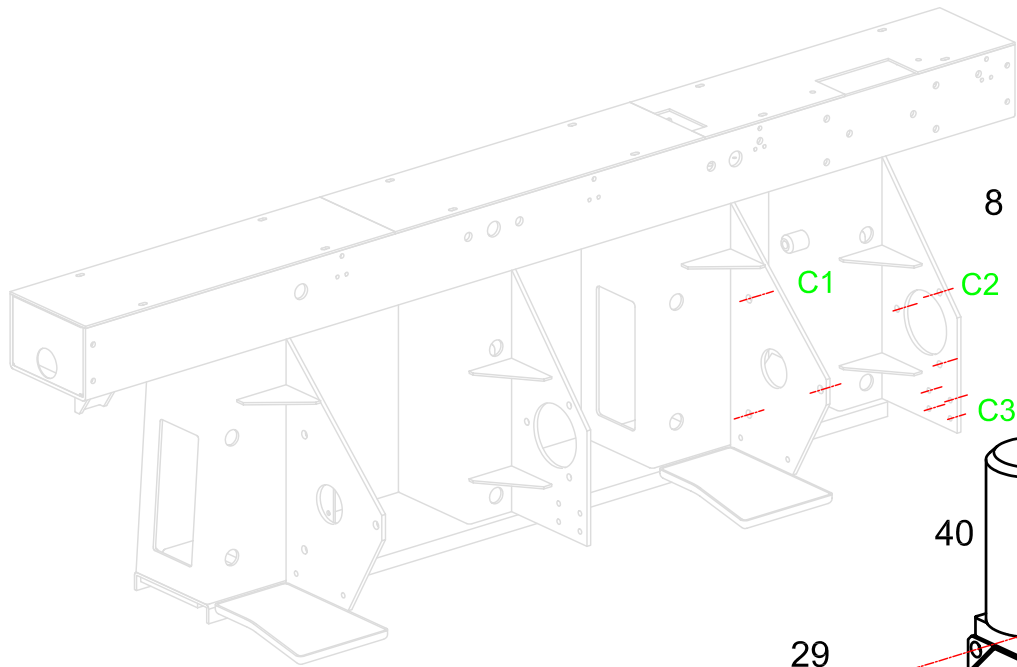




ITEM	PART NO.	DESCRIPTION
1	BL02A-01-02-01	PIN
2	BL02A-01-02-02	LINK
3	BL02A-01-02-03	FLANGE BUSHING
4	BL02A-01-02-04	LINK
5	BL02A-01-02-05	KIT LINK REPLACEMENT
6	BL02A-01-02-06	PIN
7	BL02A-01-02-07-00	SHAFT
8	BL02A-01-02-08	FLANGE BUSHING
9	BL03-01-02-09	CLAMP STUD
10	BL02A-01-02-12-00	SPRING LINK ASSEMBLY
11	BL03-01-02-16	ROLL PIN
12	BL02A-01-02-17	SHAFT
13	BL03-01-02-18	LEVER
14	BL02A-01-02-19	FLANGE BUSHING
15	BL02A-01-02-20	SHAFT
16	BL03-01-02-21	COLLAR
17	BL02A-01-02-22	SPACER
18	BL03-01-02-23	CLAMP STUD
19	BL03-01-02-24	SHAFT
20	BL03-01-02-24A	KEY
21	BL02A-01-02-25	CAM LINK
22	BL02A-01-02-26	FLANGE BUSHING
23	BL02A-01-02-27	STOP LEVER
24	BL03-01-02-30	SPRING
25	BL02A-01-02-31	SPRING CLIP
26	BL03-01-02-32	ROLL PIN

ITEM	PART NO.	DESCRIPTION
27	BL02A-06-02-04	RUBBER BUMPER
28	BLB001-06	X WASHER
29	CF10K	CAM FITTING
30	GB5782-86 M10x100	HEX CAP SCREW
31	GB5782-86 M8x25	HEX CAP SCREW
32	GB5782-86 M8x60	HEX CAP SCREW
33	GB6170-86 M4	NUT
34	GB6170-86 M8	NUT
35	GB6184-86 M10	LOCKNUT
36	GB6184-86 M6	LOCKNUT
37	GB6184-86 M8	LOCKNUT
38	GB78-85 M8x8	SOCKET SET SCREW
39	GB818-85 M4x16	PAN HEAD SCREW
40	GB879-86 2x16	ROLL PIN
41	GB97.1-85 10	FLAT WASHER
42	GB97.1-85 4	FLAT WASHER
43	GB97.1-85 6	FLAT WASHER
44	GB97.1-85 8	FLAT WASHER
45	GB97.1-85 16	FLAT WASHER
46	SOLENOID-50	SOLENOID, 220V/50Hz
46*	SOLENOID-60	SOLENOID, 220V/60Hz
47	BL02A-01-02-12-01	SPRING
48	BL02A-01-02-12-02	WASHER
49	BL02A-01-02-12-03	SPRING LINK OUTSIDE
50	BL02A-01-02-12-04	SPRING LINK
51	GB879-86 3x30	ROLL PIN

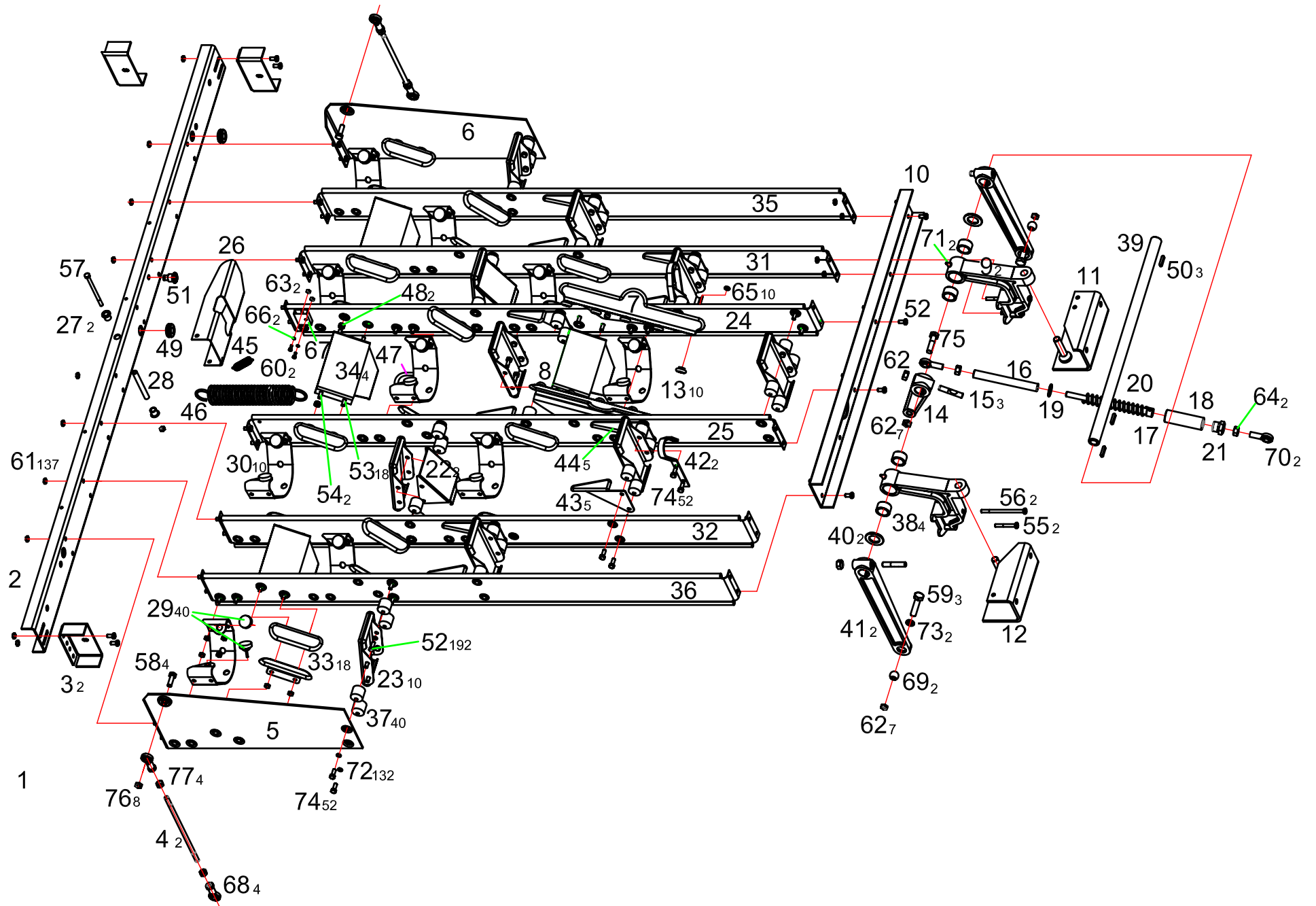




ITEM	PART NO.	DESCRIPTION
1	BL05-01-38-01B	SWEEP DRIVE SHAFT
2	BL03-01-38-02A-00	CAM WELDMENT, SWEEP
3	BL03-01-38-03A-00	CAM WELDMENT, SWEEP
4	BL03-01-38-04	CRANK ARM
5	BL05-01-38-05A-00	GEAR BOX BRACKET
6	BL02A-01-03-00	HOUSING WELDMENT
7	BL02A-01-05	ROLLER
8	BL05-01-07-00	CROSSBEAM WELDMENT
9	BL03-01-12	CLAMP STUD
10	BL03-01-13	SWITCH LEVER
11	BL02A-01-14	SPRING
12	BL02A-01-15	SHAFT
13	BL03-01-34	BEARING RETAINER
14	BLB001-08	X WASHER
15	GB1096-79 10X8X100	KEY
16	GB1096-79 8X7X28	KEY
17	GB272-1993 UC206	BEARING
18	GB5782-86 M10X45	HEX CAP SCREW
19	GB5782-86 M12X65	HEX CAP SCREW
20	GB5782-86 M6X25	HEX CAP SCREW
21	GB5782-86 M8X25	HEX CAP SCREW
22	GB6170-86 M4	NUT
23	GB6184-86 M10	LOCKNUT
24	GB6184-86 M12	LOCKNUT
25	GB6184-86 M5	LOCKNUT
26	GB6184-86 M6	LOCKNUT

ITEM	PART NO.	DESCRIPTION
27	GB6184-86 M8	LOCKNUT
28	Z-15G-B	MICRO-SWITCH
29	GB70-85 M12X130	SOCKET HEAD CAP SCREW
30	GB818-85 M4X65	PAN HEAD SCREW
31	GB818-85 M5X16	PAN HEAD SCREW
32	GB867-86 3X15	RIVET
33	GB93-87 5	SPRING WASHER
34	GB97.1-85 10	FLAT WASHER
35	GB97.1-85 12	FLAT WASHER
36	GB97.1-85 4	FLAT WASHER
37	GB97.1-85 5	FLAT WASHER
38	GB97.1-85 6	FLAT WASHER
39	GB97.1-85 8	FLAT WASHER
40	FRONT END MOTOR & GEARBOX ASS'Y (SEE APPENDIX)	
41		
42		
43		
44		
45		
46		
47		
48		
49		
50		
51		
52		

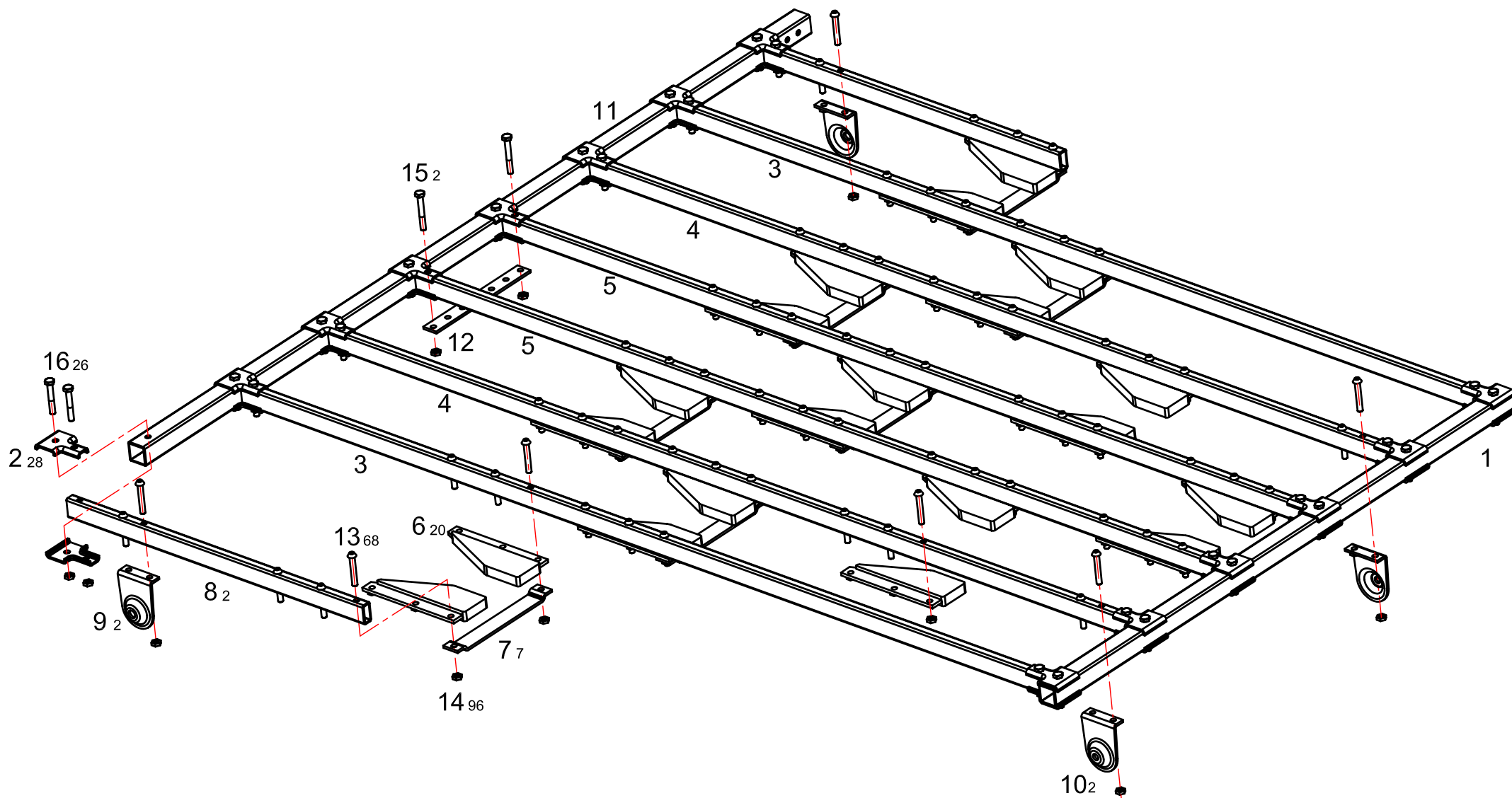




ITEM	PART NO.	DESCRIPTION
1	BL02A-02-01-00	SHUTTLE ASSEMBLY(NOT SHOW)
2	BL02A-02-03	CHANNEL WELDMENT
3	BL02A-02-04	BRACKET SUPPORT
4	BL03-02-05	ROD
5	BL02A-02-06A	PIN GUIDE L. H.
6	BL02A-02-06B	PIN GUIDE R. H.
7	BL02A-02-08B	TRACK ASSEMBLY R. H.
8	BL02A-02-08A	TRACK ASSEMBLY L. H.
9	BL03-02-09	BRACKET
10	BL02A-02-10	CHANNEL SHORT
11	BL02A-02-11A-00	BRACKET WELDMENT R. H.
12	BL02A-02-11B-00	BRACKET WELDMENT L. H.
13	BL03-02-12-00	BEARING
14	BL03-02-14	LEVER BIN
15	BL03-02-15	STUD CLAMP
16	BL03-02-17	LONG TUBE
17	BL03-02-18	ROD
18	BL03-02-18A	TUBE
19	BL02A-02-19	SPRING WASHER
20	BL02A-02-20	SPRING
21	BL03-02-21	TUBE PLUG
22	BL02A-02-25	SPACER PIN GUIDE #4 & #6
23	BL02A-02-26	SPACER PIN BUTT GUIDE
24	BL02A-02-27A	STRINGER CENTER R.H.& L.H.
25	BL02A-02-27B	STRINGER CENTER R.H.& L.H.
26	BL02A-02-28	SWITCH ACTUATOR
27	BL02A-02-29	FLANGE BUSHING
28	BL02A-02-30	SPACER
29	BL02A-02-31	BUMPER
30	BL02A-02-32	PIN HEAD BRACKET
31	BL02A-02-33A	STRINGER CENTER R.H.& L.H.
32	BL02A-02-33B	STRINGER CENTER R.H.& L.H.
33	BL02A-02-34	PIN GUIDE
34	BL02A-02-35	SPACER PIN HEAD GUIDE
35	BL02A-02-36A	STRINGER OUTSIDE R.H.
36	BL02A-02-36B	STRINGER OUTSIDE L.H.
37	BL03-02-37-00	SHOCK MOUNT
38	BL02A-02-38	SLEEVE BUSHING
39	BL02A-02-39	SHAFT
40	BL02A-02-40	WASHER THRUST OILITE

ITEM	PART NO.	DESCRIPTION
41	BL03-02-41	SHUTTLE OPERATING ARM
42	BL02A-02-42	GUIDE PIN #1
43	BL02A-02-43A	PIN GUIDE
44	BL02A-02-43B	PIN GUIDE
45	BL02A-02-44	SPRING
46	BL02A-02-45	SPRING
47	BL02A-02-46-00	BRACKET WELDMENT
48	BL02A-02-47	WASHER SPECIAL
49	BL02A-02-48	RUBBER SPACER
50	BL03-04-09	KEY, SPECIAL
51	BL02A-06-02-04	BUMPER
52	GB5783-86 M6X12	HEX CAP SCREW
53	GB5783-86 M6X20	HEX CAP SCREW
54	GB5783-86 M6X25	HEX CAP SCREW
55	GB5782-86 M6X45	HEX CAP SCREW
56	GB5782-86 M6X75	HEX CAP SCREW
57	GB5782-86 M6X95	HEX CAP SCREW
58	GB5783-86 M8X25	HEX CAP SCREW
59	GB5783-86 M10X35	HEX CAP SCREW
60	GB818-85 M4X25	PAN HEAD SCREW
61	GB6184-86 M6	LOCK NUT
62	GB6184-86 M10	LOCK NUT
63	GB6170-86 M4	NUT
64	GB6170-86 M10	NUT
65	GB97.1-85 5	FLAT WASHER
66	GB860-87 4	WASHER
67	Z-15GD-B	MICRO-SWITCH
68	SI 8F	ROD END BEARING
69	SCP 10	BEARING,SPHERICAL
70	SA 10F	ROD END BEARING
71	GB1152-89 M6	GREASE FITTING
72	GB93-87 6	SPRING WASHER
73	GB97.1-85 10	FLAT WASHER
74	GB5783-86 M6X16	HEX CAP SCREW
75	GB5782-86 M10X40	HEX CAP SCREW
76	GB6184-86 M8	LOCKNUT
77	GB6170-86 M8	NUT
78		
79		
80		

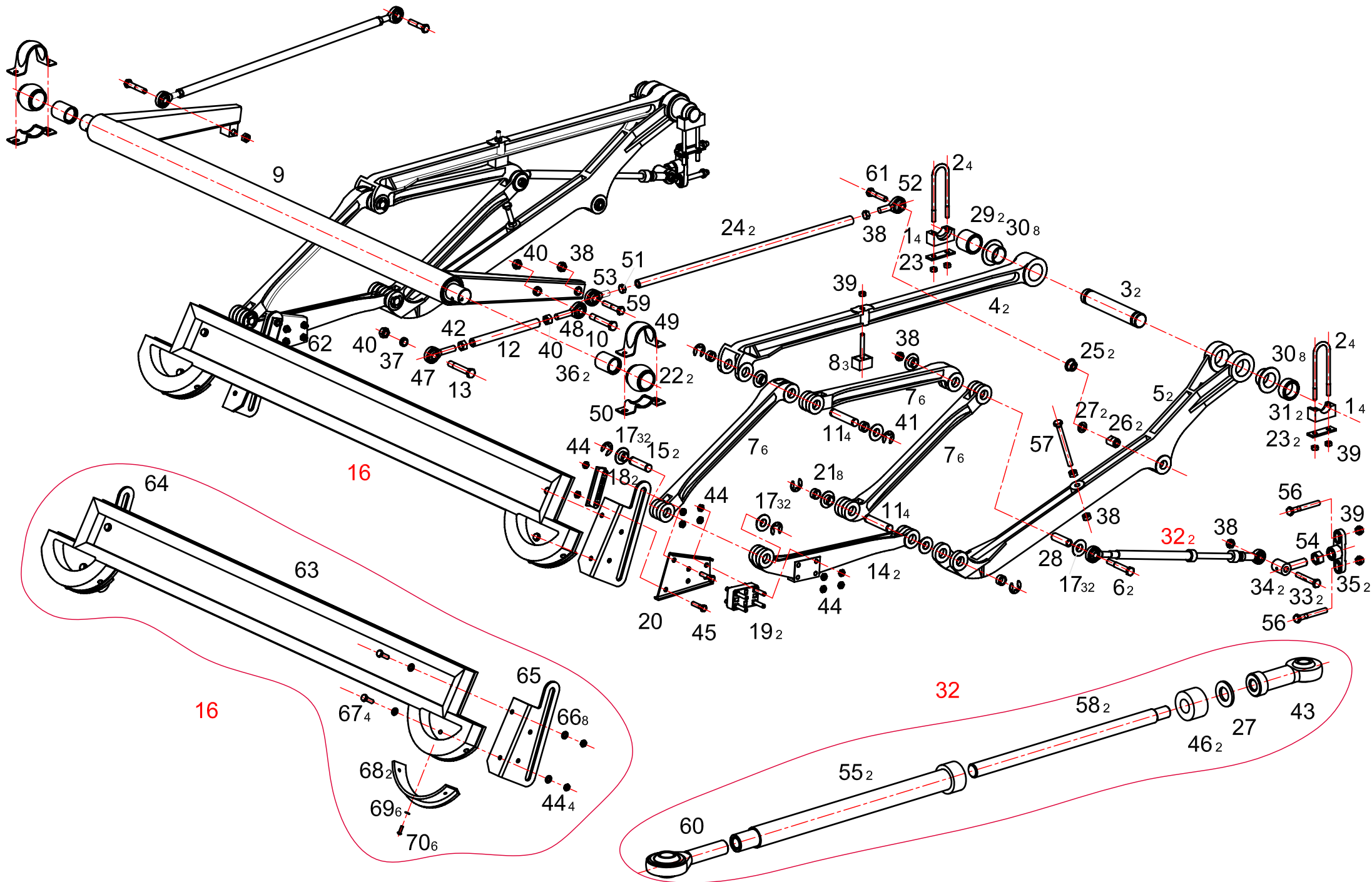




ITEM	PART NO.	DESCRIPTION
1	BL02A-02-01-01	TUBE, CROSS(SHORT)
2	BL02A-02-01-02	CLAMP END
3	BL02A-02-01-03	TUBE, OUTSIDE
4	BL02A-02-01-04	TUBE, SIDE(LONG)
5	BL02A-02-01-05	TUBE, CENTER
6	BL02A-02-01-06-00	PIN OLDER
7	BL02A-02-01-07	BIN STRAP
8	BL02A-02-01-09	TUBE, SIDE(SHORT)
9	BL02A-02-01-10A	BRACKET ARM
10	BL02A-02-01-10B	BRACKET ARM
11	BL02A-02-01-11	SHUTTLE CROSS TUBE(LONG)
12	BL02A-02-01-12	STRP
13	GB2673-86 M6X40	FLAT SOCKET CAP SCREW
14	GB6184-86 M6	LOCKNUT
15	GB5782-86 M6X45	HEX CAP SCREW
16	GB5782-86 M6X40	HEX CAP SCREW
17		
18		
19		
20		
21		
22		
23		
24		
25		
26		

ITEM	PART NO.	DESCRIPTION
27		
28		
29		
30		
31		
32		
33		
34		
35		
36		
37		
38		
39		
40		
41		
42		
43		
44		
45		
46		
47		
48		
49		
50		
51		
52		

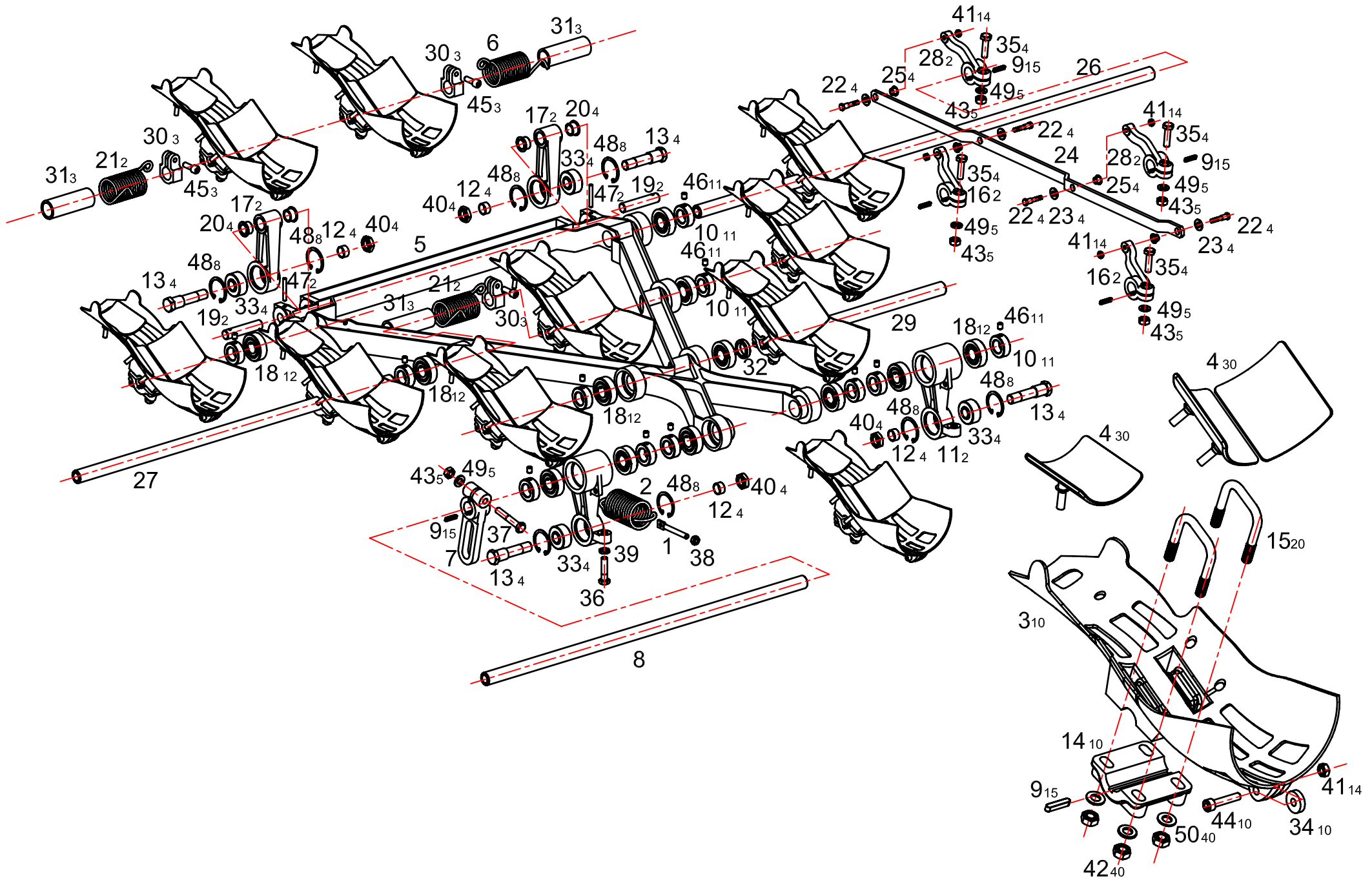




ITEM	PART NO.	DESCRIPTION
1	BL02A-03-01	SADDLE
2	BL03-03-02	"U" BOLT
3	BL02A-03-03	SHAFT MAIN PIVOT
4	BL02A-03-04	STABILIZING LINK
5	BL02A-03-05	DRIVE LINK
6	BL03-03-06	BOLT, SPECIAL
7	BL02A-03-07	LINK
8	BL02A-03-08-00	BUMPER
9	BL03-03-09-00	SWEEP ROCK ARM WELDMENT
10	BL03-03-10	BOLT, SPECIAL
11	BL02A-03-11	PIN BEARING
12	BL03-03-12	TUBE
13	GB5782-86 M12X50	HEX CAP SCREW
14	BL02A-03-14	SUPPORT LINK
15	BL02A-03-15	PIN BEARING
16	BL02A-03-16-00	SWEEP BAR ASSEMBLY
17	BL02A-03-17	FLANGE BUSHING
18	BL02A-03-18	SLIDE BAR
19	BL03-03-19-00	SHOCK MOUNT
20	BL02A-03-20A	SHOCK BRACKET R.H.
21	BL02A-03-21	SLEEVE BUSHING
22	BL02A-03-22-02	PILLOW BLOCK
23	BL02A-03-23	CLAMP BAR
24	BL03-03-24	TUBE
25	BL02A-03-25A	FLANGE BUSHING
26	BL03-03-26	FLANGE BUSHING
27	GB97.1-85 12	FLAT WASHER
28	GB97.1-85 10	FLAT WASHER
29	BL02A-03-29	SPACER, MAIN PIVOT-LONG
30	BL02A-03-30	FLANGE BUSHING
31	BL02A-03-31	SPACER, MAIN PIVOT-SHORT
32	BL03-03-32-00	TELESCOPING LINK ASSEMBLY
33	GB5782-86 M10X60	HEX CAP SCREW
34	BL03-03-34	THREADED LINK
35	BL03-03-35	SHOCK MOUNT BRACKET
36	BL02A-03-22-01	BRASS SLEEVE
37	BL03-03-37	BUSHING
38	GB6170-86 M10	NUT
39	GB6170-86 M8	NUT
40	GB6170-86 M12	NUT

ITEM	PART NO.	DESCRIPTION
41	GB896-86 16	RETAINING RING
42	GB6170-86 M12	NUT, L.H.
43	SI 10F	ROD END BEARING
44	GB6184-86 M8	LOCK UT
45	GB5782-86 M8× 35	HEX CAP SCREW
46	BL02A-03-32-03	BUMPER
47	SA 12F	ROD END BEARING
48	SA 12F	ROD END BEARING L.H.
49	BL02A-03-22-03	PILLOW BLOCK BASE
50	BL02A-03-22-04	PILLOW BLOCK CAP
51	GB6170-86 M10	NUT, L.H.
52	SA 10F	ROD END BEARING
53	SA 10F	ROD END BEARING L.H.
54	GB6170-86 M16	NUT
55	BL03-03-32-01-00	TELESCOPING SLEEVE WELDMENT
56	GB5782-86 M8× 80	HEX CAP SCREW
57	GB5783-86 M10× 110	HEX CAP SCREW
58	BL03-03-32-02	ROD
59	GB5782-86 M10× 55	HEX CAP SCREW
60	SA 10K	ROD END BEARING
61	GB5782-86 M10× 50	HEX CAP SCREW
62	BL02A-03-20B	SHOCK BRACKET R.H.
63	BL02A-03-16-02	SWEEP BAR
64	BL02A-03-16-01B	SWEEP MOUNTING BRACKET L.H.
65	BL02A-03-16-01A	SWEEP MOUNTING BRACKET R.H.
66	GB97.1-85 8	FLAT WASHER
67	GB5782-86 M8× 25	HEX CAP SCREW
68	BL02A-03-16-03	CAP - SWEEP BAR
69	GB97.1-85 5	FLAT WASHER
70	GB867-86 5× 16	RIVET
71		
72		
73		
74		
75		
76		
77		
78		
79		
80		

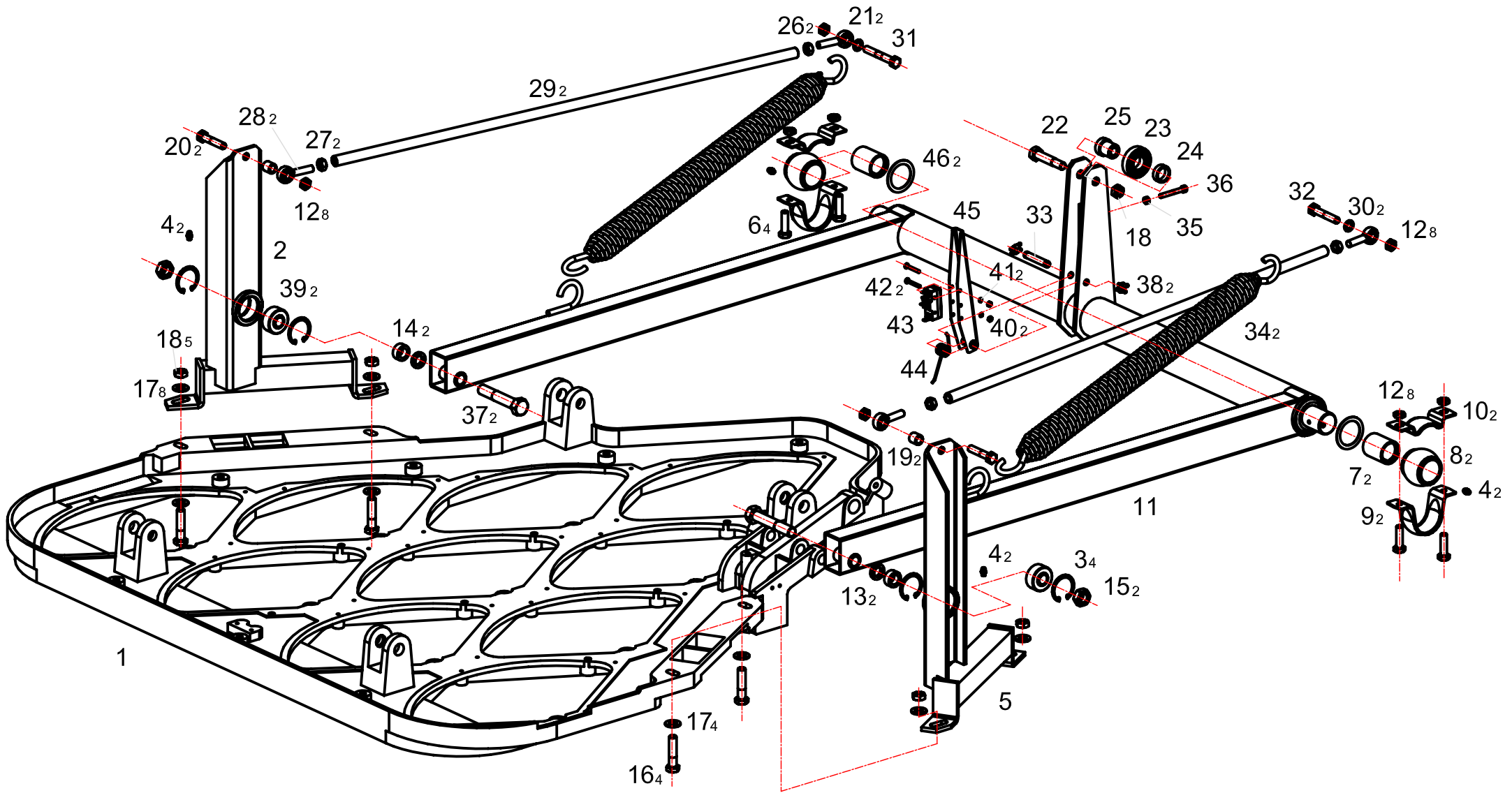




ITEM	PART NO.	DESCRIPTION
1	BL03-04-01	STUD-SPRING
2	BL02A-04-02	SPRING
3	BL02A-04-03	SPOTTING CUP
4	BL02A-04-04	SPOTTING CUP LINER
5	BL02A-04-05	YOKE
6	BL02A-04-06	SPRING L.H.
7	BL02A-04-07	ACTUATOR ARM
8	BL03-04-08	SHAFT #1
9	BL03-04-09	KEY, SPECIAL
10	BL03-04-10	COLLAR WITH SET SCREW
11	BL03-04-11	LEG
12	BL02A-04-12	SPACER
13	BL03-04-13	BOLT SPECIAL
14	BL02A-04-14	SPOTTING CUP CAP
15	BL03-04-15	"U" BOLT
16	BL02A-04-16	LEVER INNER
17	BL02A-04-17	LEG REAR
18	R14	BEARING
19	BL02A-04-19	PIN
20	BL02A-04-20	FLANGE BUSHING
21	BL02A-04-21	SPRING R.H.
22	BL03-04-22	BOLT SPECIAL
23	BL02A-04-23	THRUST WASHER
24	BL02A-04-24	LINK
25	BL03-04-25	FLANGE BUSHING
26	BL03-04-26	SHAFT #4

ITEM	PART NO.	DESCRIPTION
27	BL03-04-27	SHAFT #3
28	BL02A-04-28	LEVER OUTER
29	BL03-04-29	SHAFT #2
30	BL03-04-30	SPRING COLLAR
31	BL02A-04-31	SPRING SLEEVE YOKE
32	BL02A-04-32	SPACER
33	ERS 5/8"	SPHERICAL BUSHING
34	BL02A-04-34	RUBBER WASHER
35	GB5783-86 M10X35	HEX CAP SCREW
36	GB5782-86 M10X40	HEX CAP SCREW
37	GB5782-86 M10X60	HEX CAP SCREW
38	GB6170-86 M8	NUT
39	GB6170-86 M10	NUT
40	GB6184-86 M16	LOCKNUT
41	GB6184-86 M6	LOCKNUT
42	GB6184-86 M8	LOCKNUT
43	GB6184-86 M10	LOCKNUT
44	GB70-85 M6X30	SOCKET SET SCREW
45	GB70-85 M8X25	SOCKET SET SCREW
46	GB77-85 M8X10	SOCKET SET SCREW
47	GB879-86 5X40	ROLL PIN
48	GB893.1-86 40	RETAINING RING
49	GB97.1-85 10	FLAT WASHER
50	GB97.1-85 8	FLAT WASHER
51		
52		

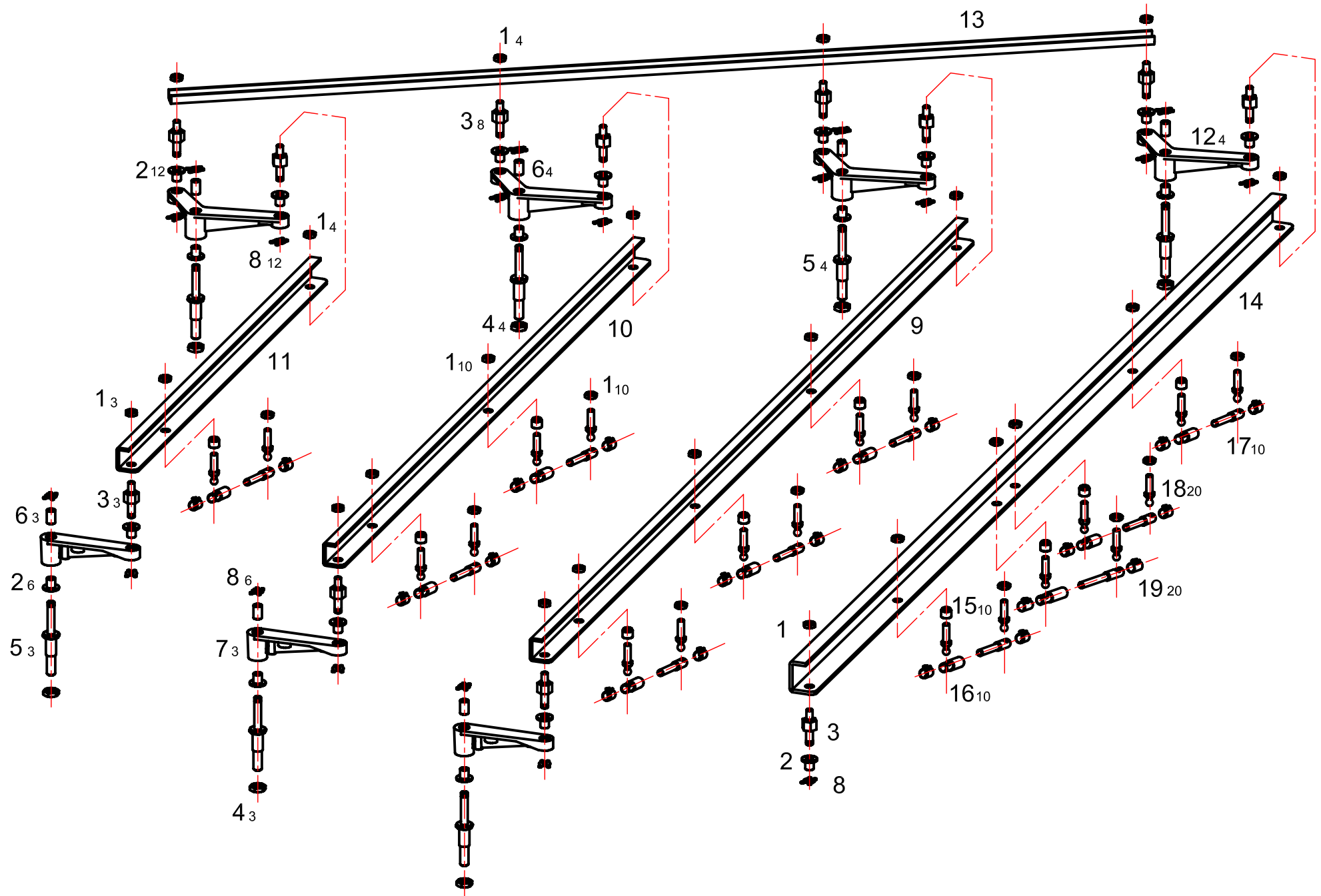




ITEM	PART NO.	DESCRIPTION
1	BL03-05-03-01	TABLE CASTING
2	BL02A-05-12-00	TABLE SUPPORT WELDMENT
3	GB893.1-86 40	RETAINING RING
4	GB1152-89 M6	GREASE FITTING
5	BL02A-05-05-00	TABLE SUPPORT WELDMENT L.H.
6	GB5783-86 M10X35	HEX CAP SCREW
7	BL02A-03-22-01	BRASS SLEEVE
8	BL02A-03-22-02	PILLOW BLOCK
9	BL02A-03-22-03	PILLOW BLOCK BASE
10	BL02A-03-22-04	PILLOW BLOCK CAP
11	BL03-05-02-00	TORQUE-TUBE WELDMENT
12	GB6184-86 M10	LOCKNUT
13	BL02A-05-04A	SPACER
14	BL02A-05-04B	SPACER
15	GB6184-86 M16	LOCKNUT
16	GB5782-86 M12X55	HEX CAP SCREW
17	GB97.1-85 12	FLAT WASHER
18	GB6184-86 M12	LOCKNUT
19	BL02A-05-14A	SPACER
20	GB5782-86 M10X50	HEX CAP SCREW
21	SA 10F	ROD END BEARING L.H.
22	BL03-05-27	BOLT, SPECIAL
23	R14	BEARING
24	BL02A-05-29	SLEEVE
25	BL02A-05-27A	FLANGE BUSHING
26	GB6170-86 M10	NUT, L.H.

ITEM	PART NO.	DESCRIPTION
27	GB6170-86 M10	NUT
28	SA 10F	ROD END BEARING
29	BL03-05-01C	TIE ROD
30	GB848-85 10	WASHER
31	GB5782-86 M10X70	HEX CAP SCREW
32	GB5782-86 M10X55	HEX CAP SCREW
33	BL02A-05-32	PIN
34	BL03-05-18	SPRING
35	GB6170-86 M6	NUT
36	GB77-85 M6X45	SOCKET SET SCREW
37	BL03-05-04	BOLT SPECIAL
38	BLB001-10	X WASHER
39	SCP 16	BEARING, SPHERIAL
40	GB6170-86 M4	NUT
41	GB93-87 4	SPRING WASHER
42	GB818-85 M4X30	PAN HEAD SCREW
43	Z-15GD-B	MICRO-SWITCH
44	BL03-05-31	SPRING
45	BL02A-05-30	LEVER
46	BL03-03-36	WASHER
47		
48		
49		
50		
51		
52		

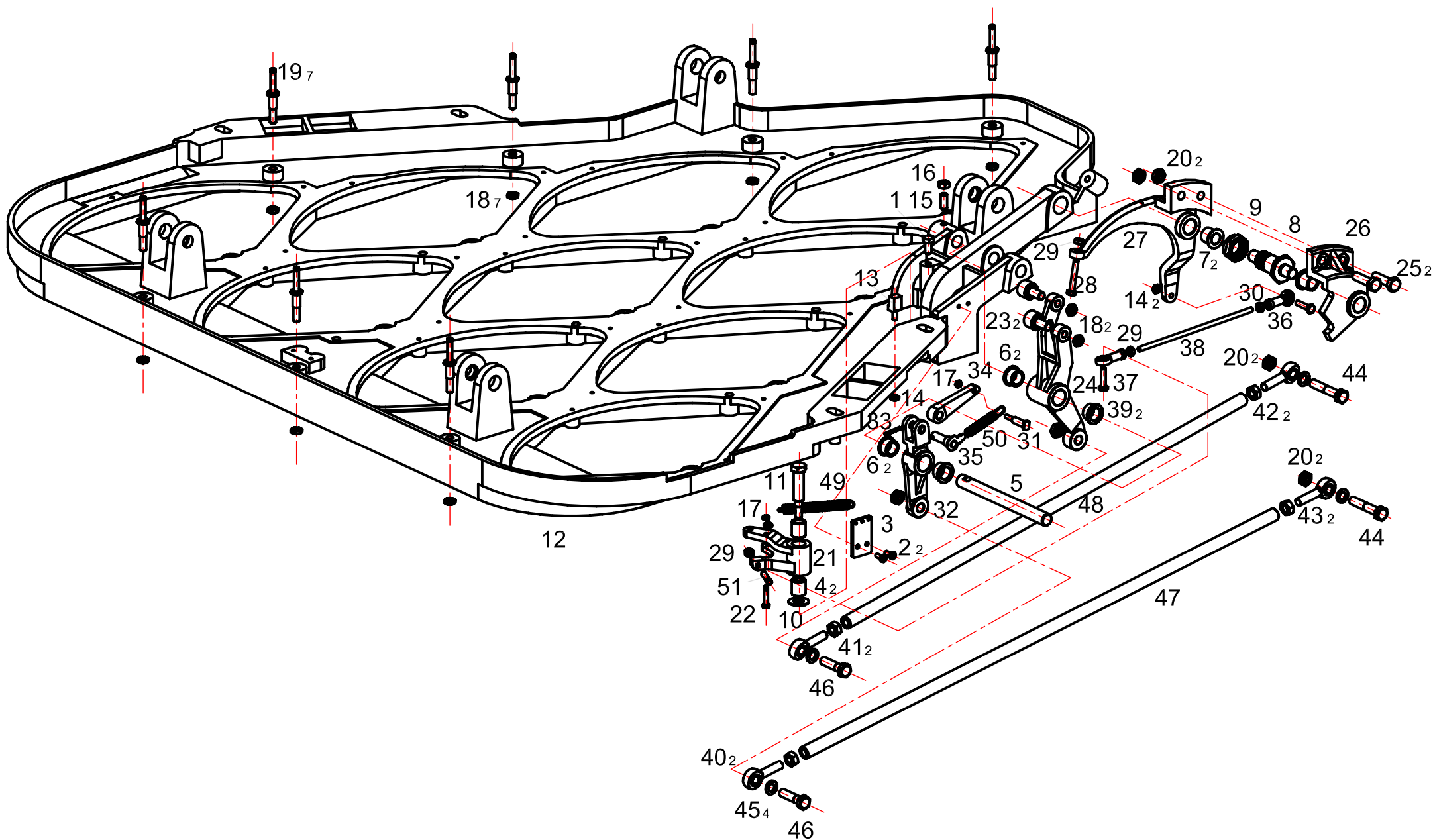




ITEM	PART NO.	DESCRIPTION
1	GB6184-86 M6	LOCKNUT
2	BL02A-05-08-15	FLANGE BUSHING
3	BL03-05-23	PIN
4	GB6184-86 M8	LOCKNUT
5	BL03-05-21	PIN
6	BL02A-05-19	SLEEVE BUSHING
7	BL02A-05-10	LEVER RESPOT
8	BLB001-06	X WASHER
9	BL02A-05-09C	LINK
10	BL02A-05-09B	LINK
11	BL02A-05-09A	LINK
12	BL02A-05-24	LEVER RESPOT
13	BL02A-05-22	LINK RESPOT CONNECTOR
14	BL02A-05-09D	LINK
15	BL02A-05-28-04A	SPACER BUSHING
16	BL03-05-28-04	PIN
17	BL03-05-28-03	LINK
18	BL03-05-28-01	BALL STUD
19	BL02A-05-28-02	CLIP
20		
21		
22		
23		
24		
25		
26		

ITEM	PART NO.	DESCRIPTION
27		
28		
29		
30		
31		
32		
33		
34		
35		
36		
37		
38		
39		
40		
41		
42		
43		
44		
45		
46		
47		
48		
49		
50		
51		
52		

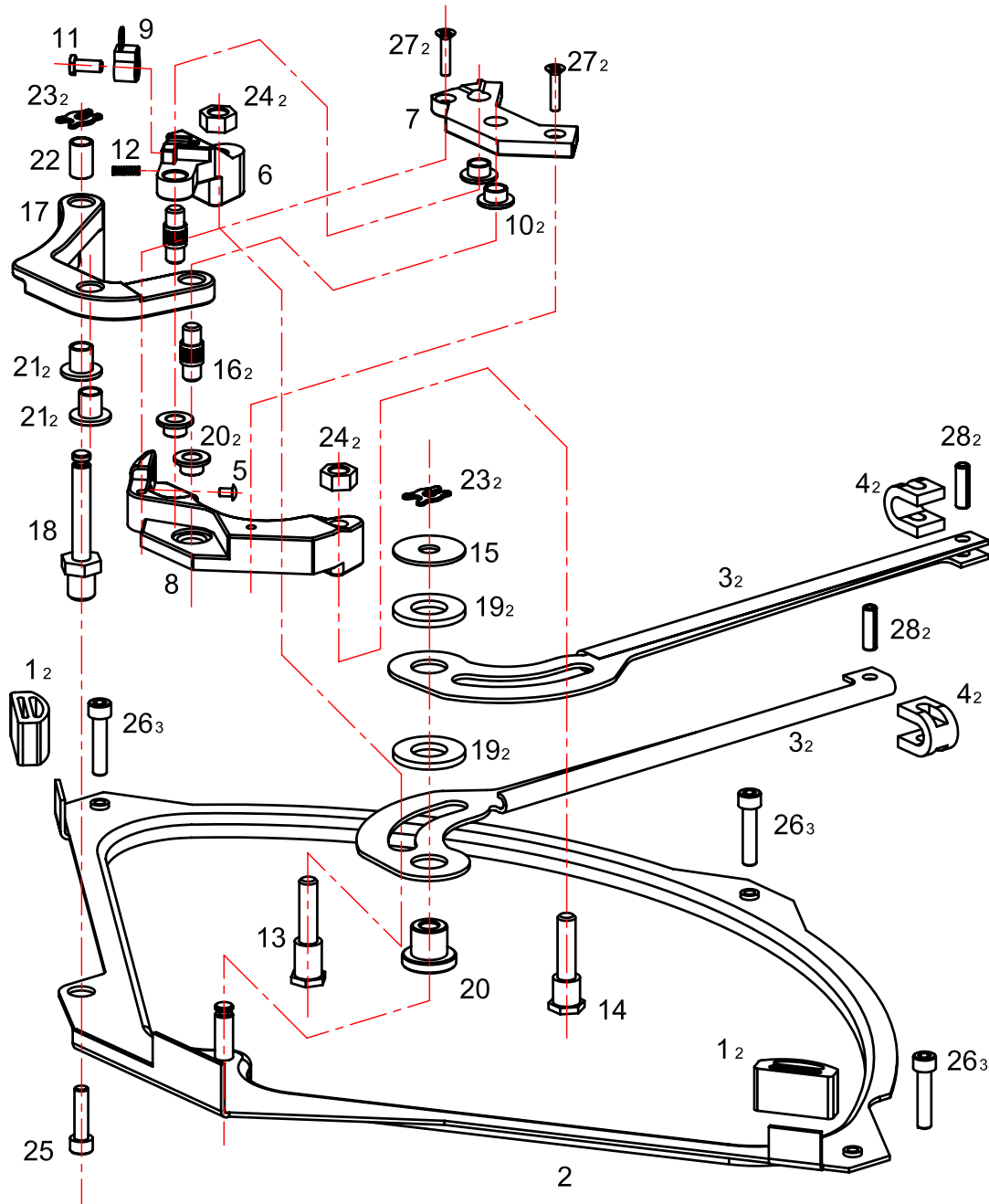




ITEM	PART NO.	DESCRIPTION
1	GB5783-86 M8X16	HEX CAP SCREW
2	GB818-85 M5X12	PAN HEAD SCREW
3	BL03-05-03-05	BRACKET
4	BL02A-05-03-23	SLEEVE BUSHING
5	BL02A-05-03-18	SHAFT
6	BL02A-04-20	BUSHING
7	BL03-05-03-08	BUSHING
8	BL03-05-03-20	SHAFT
9	BL03-05-03-19	NUT, SPECIAL
10	BL02A-05-03-23a	SLEEVE BUSHING
11	BL03-05-03-04	BOLT, SPECIAL
12	BL03-05-03-01	TABLE CASTING
13	BL03-05-03-16	STOP, RESPOT
14	GB6184-86 M6	LOCKNUT
15	GB77-85 M8X20	SOCKET SET SCREW
16	GB6170-86 M8	NUT
17	GB6184-86 M5	LOCKNUT
18	GB6184-86 M8	LOCKNUT
19	BL03-05-21	PIN
20	GB6184-86 M10	LOCKNUT
21	BL03-05-03-02	ACTUATING LINK
22	BL03-05-03-21	BOLT, SPECIAL
23	CF 8	ROD END BEARING
24	BL03-05-03-15	LEVER ASSEMBLY SPOT
25	GB5783-86 M10X40	HEX CAP SCREW
26	BL02A-05-03-12	LINK AND BEARING ASSEMBLY

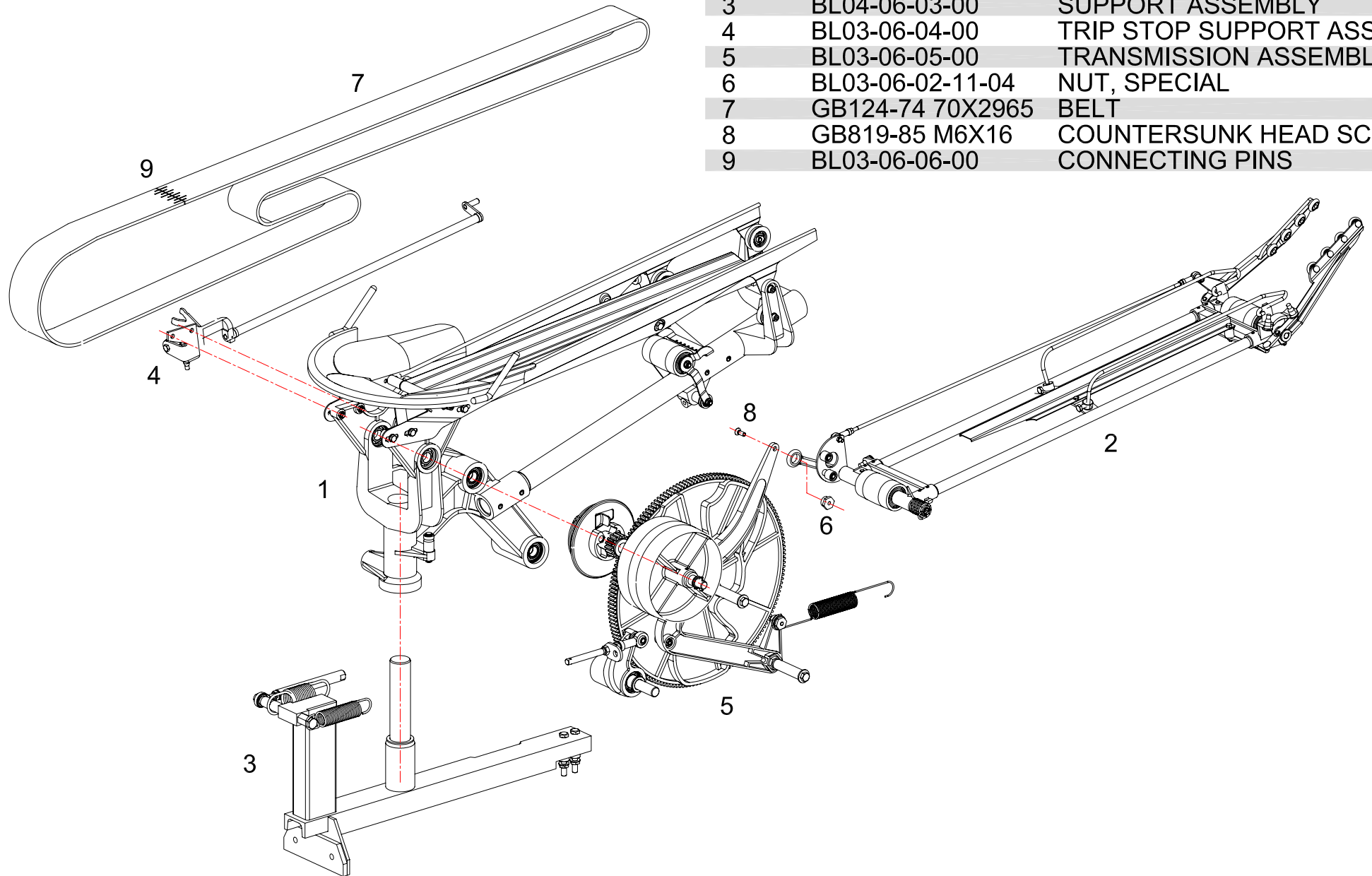
ITEM	PART NO.	DESCRIPTION
27	BL03-05-03-06	CAM LINK BEARING ASSEMBLY
28	GB821-88 M6X40	SQUARE BOLT
29	GB6170-86 M6	NUT
30	GB6170-86 M6	NUT L.H.
31	BL03-05-03-11	PIN
32	BL02A-05-03-13	FINGER LEVER ASSEMBLY
33	GB879-86 3X24	ROLL PIN
34	BL02A-05-03-10	FINGER LINK
35	BL02A-05-03-07-00	PIVOT WELDMENT
36	SI 6F	ROD END BEARING L.H.
37	SI 6F	ROD END BEARING
38	BL03-05-03-14	LINK
39	GB5783-86 M6X25	HEX CAP SCREW
40	SA 10F	ROD END BEARING
41	GB6170-86 M10	NUT
42	GB6170-86 M10	NUT, L.H.
43	SA 10F	ROD END BEARING, L.H.
44	GB5782-86 M10X55	HEX CAP SCREW
45	GB848-85 10	WASHER
46	GB5782-86 M10X40	HEX CAP SCREW
47	BL03-05-01B	TIE ROD
48	BL03-05-01A	TIE ROD
49	BL03-05-03-03	SPRING
50	BL03-05-03-09	SPRING
51	GB821-88 M6X25	SQUARE BOLT
52		





ITEM	PART NO.	DESCRIPTION
1	BL02A-05-08-01	BUMPER
2	BL03-05-08-02-00	RESPOT CELL FRAME WELDMENT
3	BL02A-05-08-03	FINGER
4	BL02A-05-08-04	ORIGINAL STYLE INSERT
5	BL02A-05-08-05-01	RIVET
6	BL02A-05-08-05-02-01	ARM RESPOT YOKE
7	BL02A-05-08-05-03	PLATE
8	BL03-05-08-05-04	YOKE,ARM ASSEMBLY
9	BL03-05-08-05-05-00A	INSERT ASSEMBLY
10	BL02A-05-08-05-06	FLANGE BUSHING
11	BL03-05-08-05-07A	STOP SCREW
12	BL02A-05-08-05-08	SPRING
13	BL03-05-08-06	STUD-LONG
14	BL03-05-08-07	STUD-SHORT
15	BL02A-05-08-08	WASHER
16	BL02A-05-08-09	SHAFT
17	BL02A-05-08-10-01	LEVER RESPOT
18	BL03-05-08-11A	STUD-PIVOT
19	BL02A-05-08-12	SPACER
20	BL02A-05-08-14	BUSHING
21	BL02A-05-08-15	FLANGE BUSHING
22	BL02A-05-19	SLEEVE BUSHING
23	BLB001-06	X WASHER
24	GB6184-86 M6	LOCKNUT
25	GB70-85 M5X16	SOCKET HEAD CAP SCREW
26	GB70-85 M5X10	SOCKET HEAD CAP SCREW
27	GB819-85 M3X16	COUNTERSUNK HEAD SCREW
28	GB879-86 5X14	ROLL PIN

ITEM	PART NO.	DESCRIPTION
1	BL03-06-01-00	MAIN SUPPORT ASSEMBLY
2	BL03-06-02-00	TUBE ASSEMBLY
3	BL04-06-03-00	SUPPORT ASSEMBLY
4	BL03-06-04-00	TRIP STOP SUPPORT ASS.
5	BL03-06-05-00	TRANSMISSION ASSEMBLY
6	BL03-06-02-11-04	NUT, SPECIAL
7	GB124-74 70X2965	BELT
8	GB819-85 M6X16	COUNTERSUNK HEAD SCREW
9	BL03-06-06-00	CONNECTING PINS



ITEM	PART NO.	DESCRIPTION
1	BL03-06-01-01	MAIN CASTING
2	BL02A-06-01-02	CARRIAGE SUPPORT TUBE
3	BL02A-06-01-03	CARRIAGE SUPPORT CASTING
4	BL03-06-01-04-00	BELT TIGHT ASSEMBLY
5	BL03-06-01-05-00	PULLEY ASSEMBLY
6	BL03-06-01-06-00	PARTIALITY PULLEY ASSEMBLY
7	BL03-06-01-07-00	PULLEY ASSEMBLY
8	BL02A-06-01-08	SPRING
9	BL03-06-01-09	CLAMP STUD
10	BL03-06-01-10	SUPPORT GUIDE L.H.
11	BL03-06-01-11	HEX HEAD CAP SCREW
12	BL02A-06-01-12	SPACER INNER
13	BL03-06-01-13	BELT RUNNER REAR
14	BL03-06-01-13A-00	ROLLER ASSEMBLY
15	BL02A-06-01-14	SPACER OUTER
16	BL03-06-01-15	SUPPORT GUIDE R.H.
17	BL02A-06-01-16	SPACER BEARING
18	BL02A-06-01-17	SPRING POST SLEEVE
19	BL02A-06-01-18	SPRING POST PIN
20	BL03-06-01-19-00	ORIENTOR PAN WELDMENT
21	BL02A-06-01-20-00	SPYRALIGN BEARING
22	DK31.75X38.1X25.4	BEARING
23	HK31.75X38.1X25.4	BEARING
24	NTA2031	THRUST BEARING
25	GB2673-86 M6X30	FLAT SOCKET CAP SCREW
26	GB5783-86 M6X25	HEX CAP SCREW
27	GB5783-86 M6X30	HEX CAP SCREW
28	GB6184-86 M6	LOCKNUT
29	GB70-85 M6X20	SOCKET HEAD CAP SCREW
30	GB879-86 8X45	ROLL PIN

ITEM	PART NO.	DESCRIPTION
31	GB893-1-86 55	RETAINING RING
32	GB893.1-86 35	RETAINING RING
33	GB894.1-86 9	RETAINING RING
34	GB97.1-85 6	FLAT WASHER
35	99502H	BEARING
36	BL02A-02-30	SPACER-ROLLER
37	BL02A-06-01-04-01	TRACKING BRACKET
38	BL02A-06-01-04-02-01	PULLEY
39	BL02A-06-01-04-03-01	TUBE-BELT TIGHTENER
40	BL02A-06-01-04-03-02	SLEEVE BUSHING
41	BL02A-06-01-04-06	SPRING POST SLEEVE
42	BL03-06-01-04-07	BOLT, SPECIAL
43	BL02A-06-01-04-08	LINK
44	HK 0808	BEARING
45	GB97.1-85 5	FLAT WASHER
46	GB93-87 5	SPRING WASHER
47	GB70-85 M5X16	SOCKET HEAD CAP SCREW
48	BL03-06-01-13A-01	SLEEVE
49	BL03-06-01-13A-02	WASHER,SPECIAL
50	BL03-06-01-13A-03	SHAFT
51	BL03-06-01-13A-04	WHEEL SLEEVE
52	BL03-06-01-05-01-00	V STYLE PULLEY
53	BL03-06-01-05-02	PIN
54	BL03-06-01-06-01	PARTIALITY PIN
55	BL03-06-01-07-01	PIN
56	GB278-82 80202	BEARING
57		
58		
59		
60		

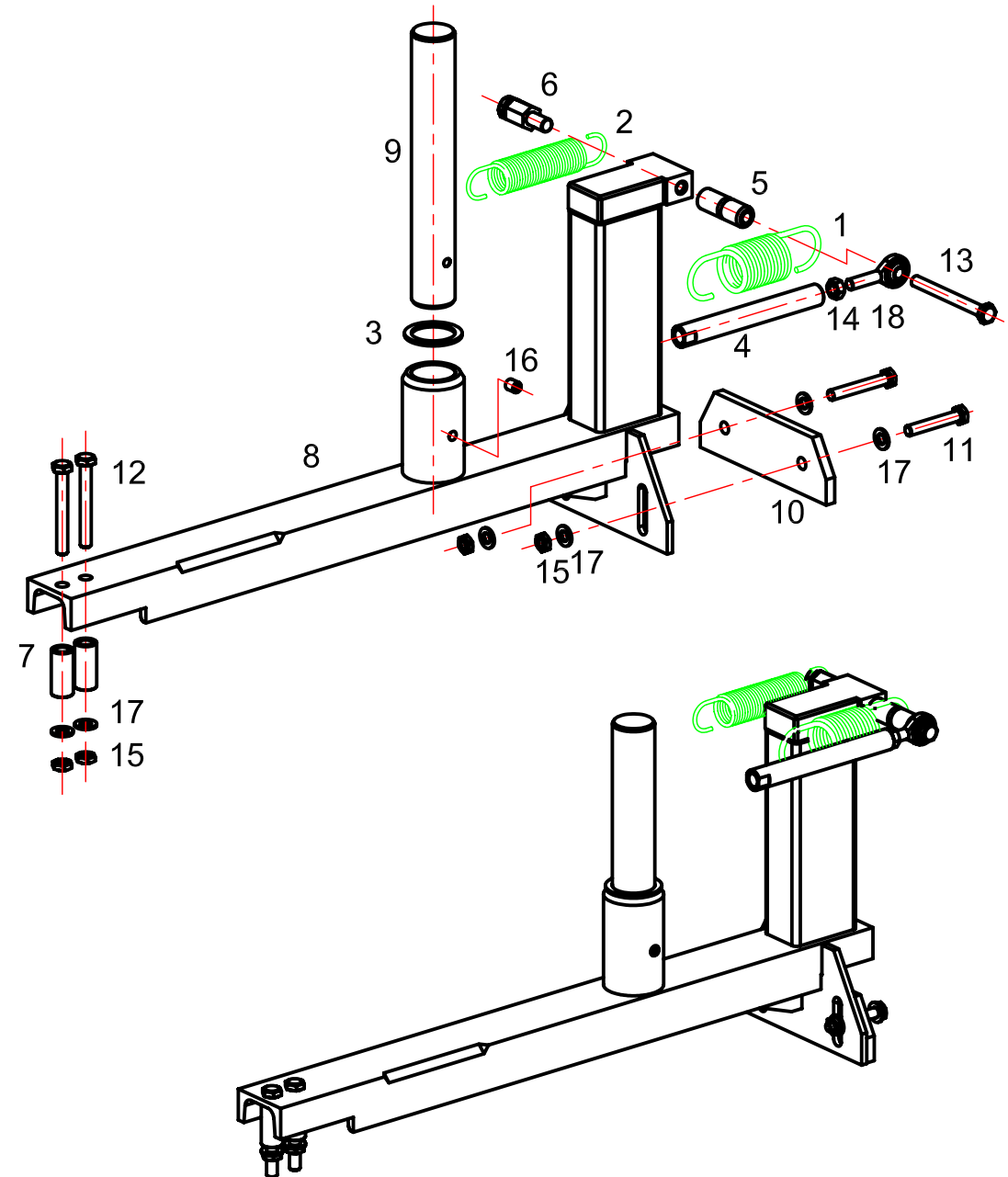


ITEM	PART NO.	DESCRIPTION
1	99502H	BEARING
2	BL02A-06-01-04-02-01	PULLEY
3	BL02A-06-01-04-03-02	SLEEVE BUSHING
4	BL02A-06-02-01-00	TRIP ARM ASSEMBLY R.H.
5	BL02A-06-02-02	FRONT CARRIAGE
6	BL02A-06-02-03-00	TRIP ARM ASSEMBLY L.H.
7	BL02A-06-02-04	BUMPER
8	BL02A-06-02-06	BELT GUAED
9	BL02A-06-02-07	PIN GUIDE
10	BL02A-06-02-08-01	BELT RUNNER SUPPORT
11	BL02A-06-02-08-02-00	BELT RUNNER BRACKET
12	BL02A-06-02-09	TUBE
13	BL02A-06-02-11-02	SPRING
14	BL02A-06-02-11-03	COLLAR
15	BL02A-06-02-11-05-00	TRIP ROCKER ARM WELDMENT
16	BL02A-06-02-11-06	ROLLER
17	BL02A-06-02-12	CONNECTING LINK
18	BL02A-06-02-13	REAR CARRIAGE
19	BL02A-06-02-14-01	TUBE MIDDLE
20	BL02A-06-02-15	SHAFT
21	BL02A-06-02-16-01	TUBE FRONT
22	BL03-06-01-09	CLAMP STUD
23	BL03-06-02-05	CLAMP STUD
24	BL03-06-02-10-01	LINK
25	BL03-06-02-11-01	SHAFT
26	BL03-06-02-11-04	NUT SPECIAL

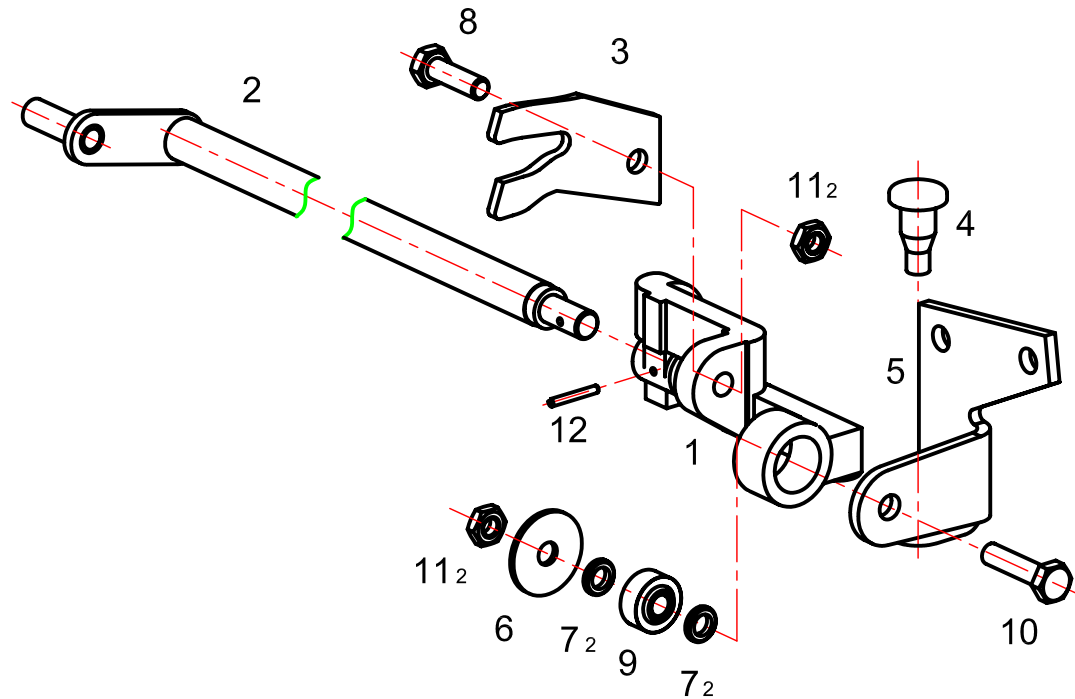
ITEM	PART NO.	DESCRIPTION
27	BL03-06-02-17	KEY
28	GB5783-86 M4X10	HEX CAP SCREW
29	GB5783-86 M5X25	HEX CAP SCREW
30	GB5783-86 M5X25	HEX CAP SCREW
31	GB5783-86 M6X12	HEX CAP SCREW
32	GB6170-86 M4	NUT
33	GB6170-86 M5	NUT
34	GB6170-86 M5	NUT, L.H.
35	GB6184-86 M5	LOCKUNT
36	GB6184-86 M6	LOCKNUT
37	GB77-85 M6X20	SOCKET SET SCREW
38	GB879-86 4X24	ROLL PIN
39	GB894.1-86 6	RETAINING RING
40	GB894.1-86 9	RETAINING RING
41	SI 5F	END FITTING
42	SI 5F L.H.	END FITTING L.H.
43		
44		
45		
46		
47		
48		
49		
50		
51		
52		

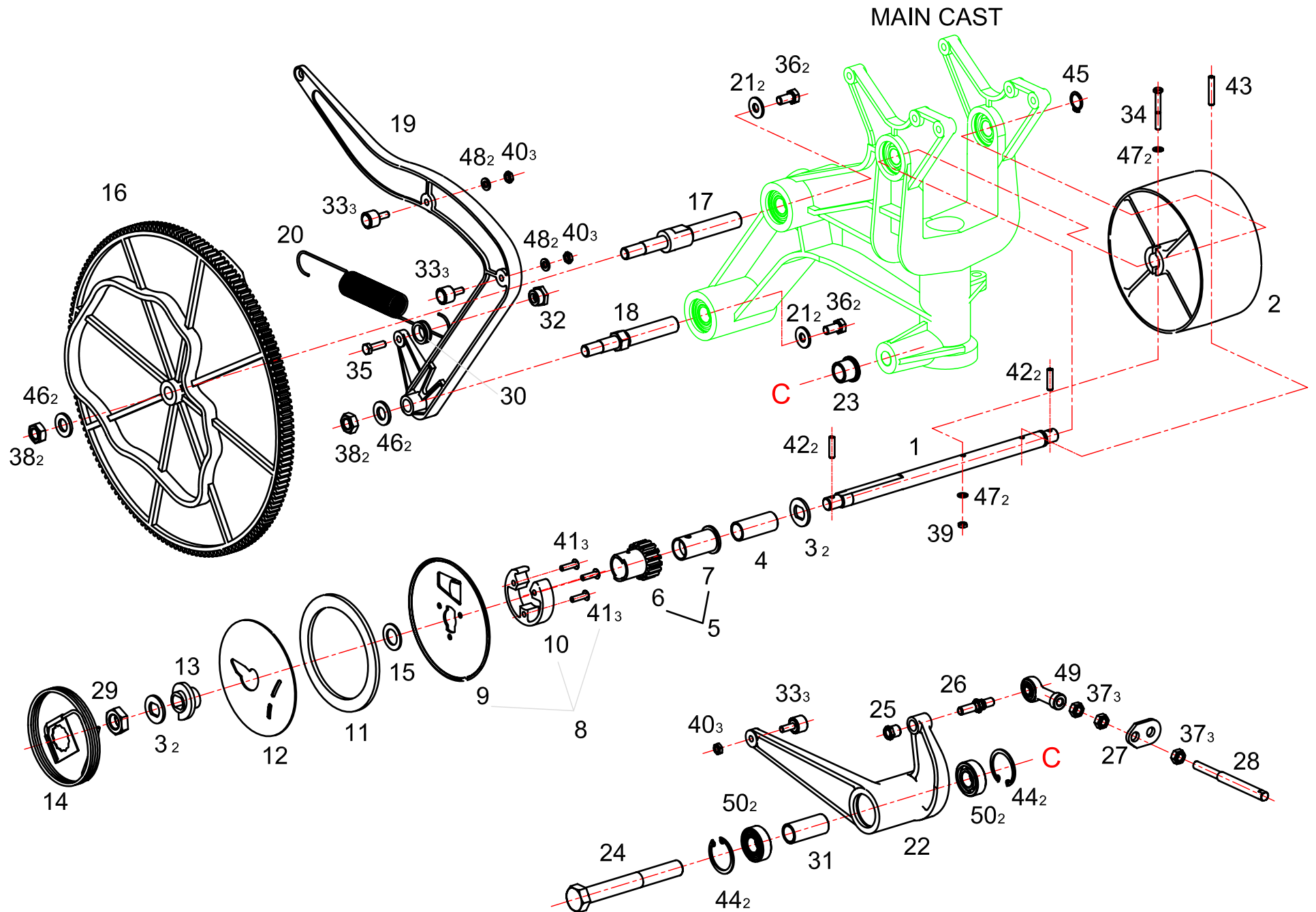


ITEM	PART NO.	DESCRIPTION
1	BL02A-06-03-01	SAFETY LINK SPRING
2	BL02A-06-03-02	LATERAL DRIVE SPRING
3	BL02A-06-03-11	WASHER
4	BL03-06-03-03	SAFETY LINK TUBE
5	BL03-06-03-04	SPACER CLAMP
6	BL03-06-03-05	SPRING POST PIN
7	BL03-06-03-07	SLEEVE
8	BL04-06-03-01-00	DISTRIBUTOR MOUNT WELDMENT
9	BL04-06-03-02	DISTRIBUTOR SUPPORT
10	BL04-06-03-12	ADJUST PILLOW
11	GB5782-86 M8X55	HEX CAP SCREW
12	GB5782-86 M8X70	HEX CAP SCREW
13	GB5782-86 M8X80	HEX CAP SCREW
14	GB6170-86 M8	NUT
15	GB6184-86 M8	LOCKNUT
16	GB78-85 M8X12	SOCKET SET SCREW
17	GB97.1-85 8	FLAT WASHER
18	SA 8F	ROD END BEARING



ITEM	PART NO.	DESCRIPTION
1	BL03-06-04-01-01	SUPPORT
2	BL02A-06-04-01-02-00	TRIP STOP ROD SUPPORT
3	BL02A-06-04-02	STOP BLADE
4	BL02A-06-02-04	BUMPER
5	BL02A-06-04-03	TRIP STOP SUPPORT
6	BL03-06-04-04	WASHER
7	BL03-06-04-05	RING
8	GB5783-86 M6× 20	HEX CAP SCREW
9	SCP 6	BEARING, SPHERIAL
10	GB5783-86 M6× 30	HEX CAP SCREW
11	GB6184-86 M6	LOCKNUT
12	GB879-86 2× 16	ROLL PIN

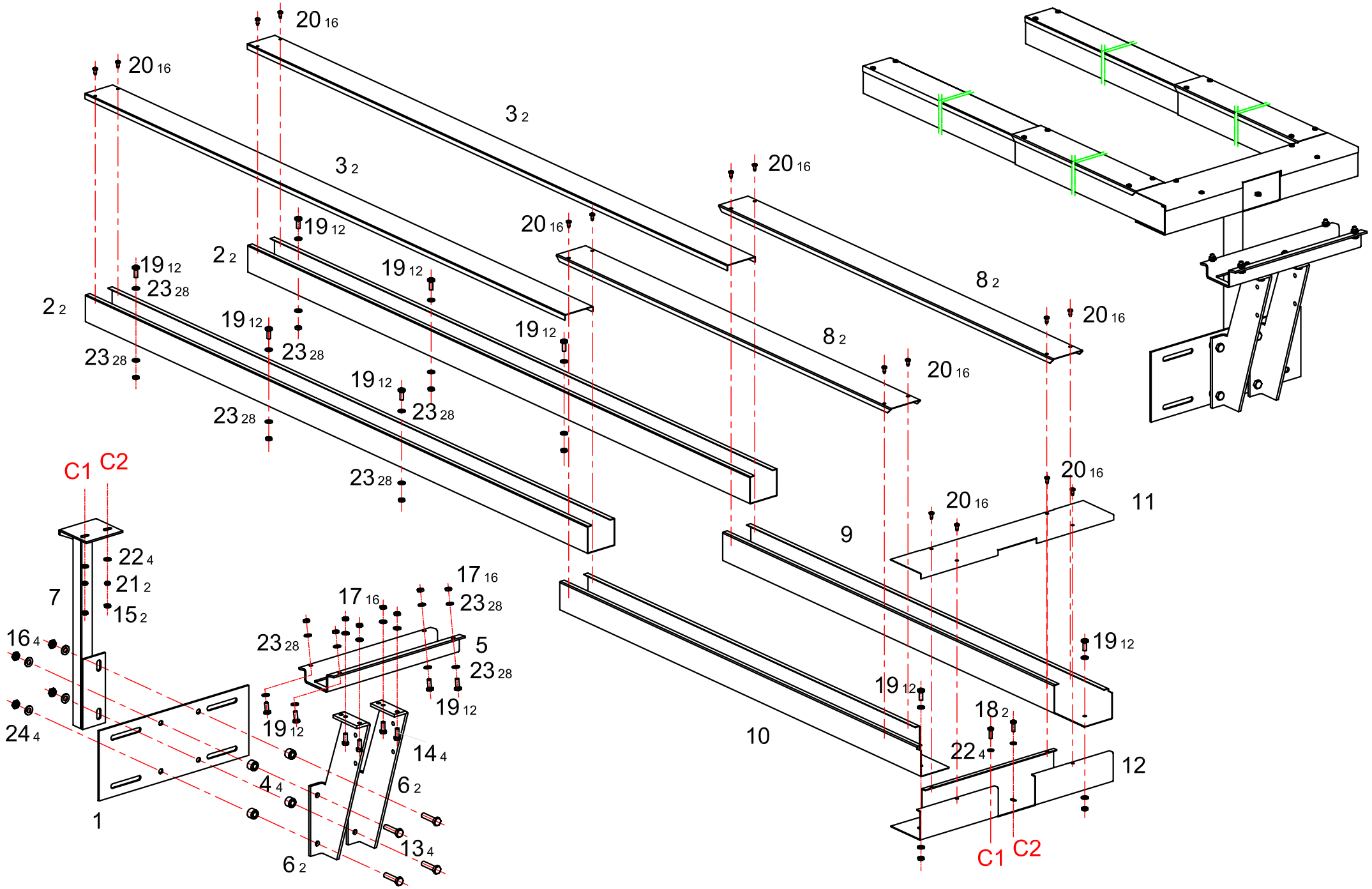


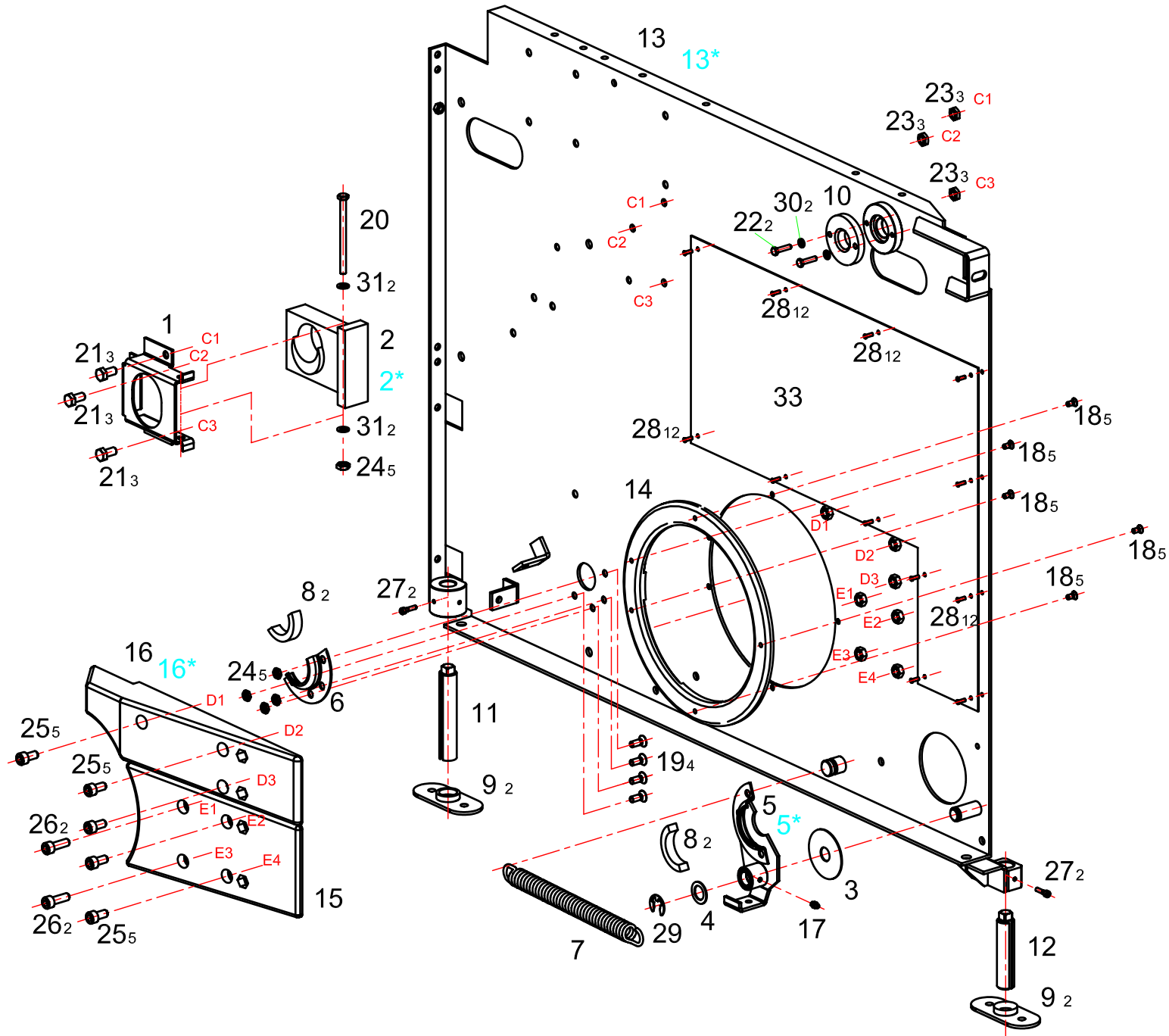


ITEM	PART NO.	DESCRIPTION
1	BL03-06-05-01	SHAFT DRIVE DISTRIBUTOR
2	BL02A-06-05-02	PULLEY
3	BL02A-06-05-03	THRUST WASHER
4	BL02A-06-05-04	PINION SLEEVE
5	BL02A-06-05-06-00	PINION & SLEEVE
6	BL02A-06-05-06-01	PINION
7	BL02A-06-05-06-02	BUSHING PINION
8	BL02A-06-05-07-00	CLUTCH PLATE ASSEMBLY
9	BL02A-06-05-07-01	CLUTCH PLATE
10	BL02A-06-05-07-02	ORIENTATION SLEEVE
11	BL02A-06-05-08	FRICITION DISC.
12	BL02A-06-05-09	CLUTCH PALTE DRIVE
13	BL02A-06-05-10	DISTRIBUTOR WORM GEAR
14	BL02A-06-05-11-00	SPRING ASSEMBLY
15	BL02A-06-05-12	WASHER
16	BL02A-06-05-13	DISTRIBUTOR INDEXING CAM
17	BL03-06-05-14	SHAFT CAM SUPPORT
18	BL03-06-05-15	SHAFT ARM
19	BL03-06-05-16-01	ARM
20	BL02A-06-05-17	SPRING
21	BL02A-06-05-18	WASHER
22	BL03-06-05-19-01	DRIVE ARM
23	BL02A-06-05-19-02	CLAMP RACE
24	BL03-06-05-19-03	BOLT, SPECIAL
25	BL03-06-05-19-04	NUT, SPECIAL
26	BL03-06-05-19-05	SHAFT

ITEM	PART NO.	DESCRIPTION
27	BL02A-06-05-19-06	SUPPORT SPRING DISTRIBUTOR
28	BL02A-06-05-19-07	ROD, SAFETY LINK DISTRIBUTOR
29	BL03-06-05-20	NUT, SPECIAL
30	BL02A-06-01-04-06	SPRING POST SLEEVE
31	BL02A-06-01-16	SPACER BEARING
32	BL03-06-02-11-04	NUT, SPECIAL
33	CF 6	CAM FOLLOWER
34	GB5782-86 M4X40	HEX CAP SCREW
35	GB5783-86 M6X25	HEX CAP SCREW
36	GB5783-86 M8X16	HEX CAP SCREW
37	GB6170-86 M8	NUT
38	GB6184-86 M12	LOCK NUT
39	GB6184-86 M4	LOCK NUT
40	GB6184-86 M6	LOCK NUT
41	GB873-86 5X15	RIVET
42	GB879-86 5X22	ROLL PIN
43	GB879-86 5X30	ROLL PIN
44	GB893.1-86 35	RETAINING RING
45	GB894.1-86 16	RETAINING RING
46	GB97.1-85 12	FLAT WASHER
47	GB97.1-85 5	FLAT WASHER
48	GB97.1-85 6	FLAT WASHER
49	SI 8F	ROD END BEARING
50	99502H	BEARING
51		
52		



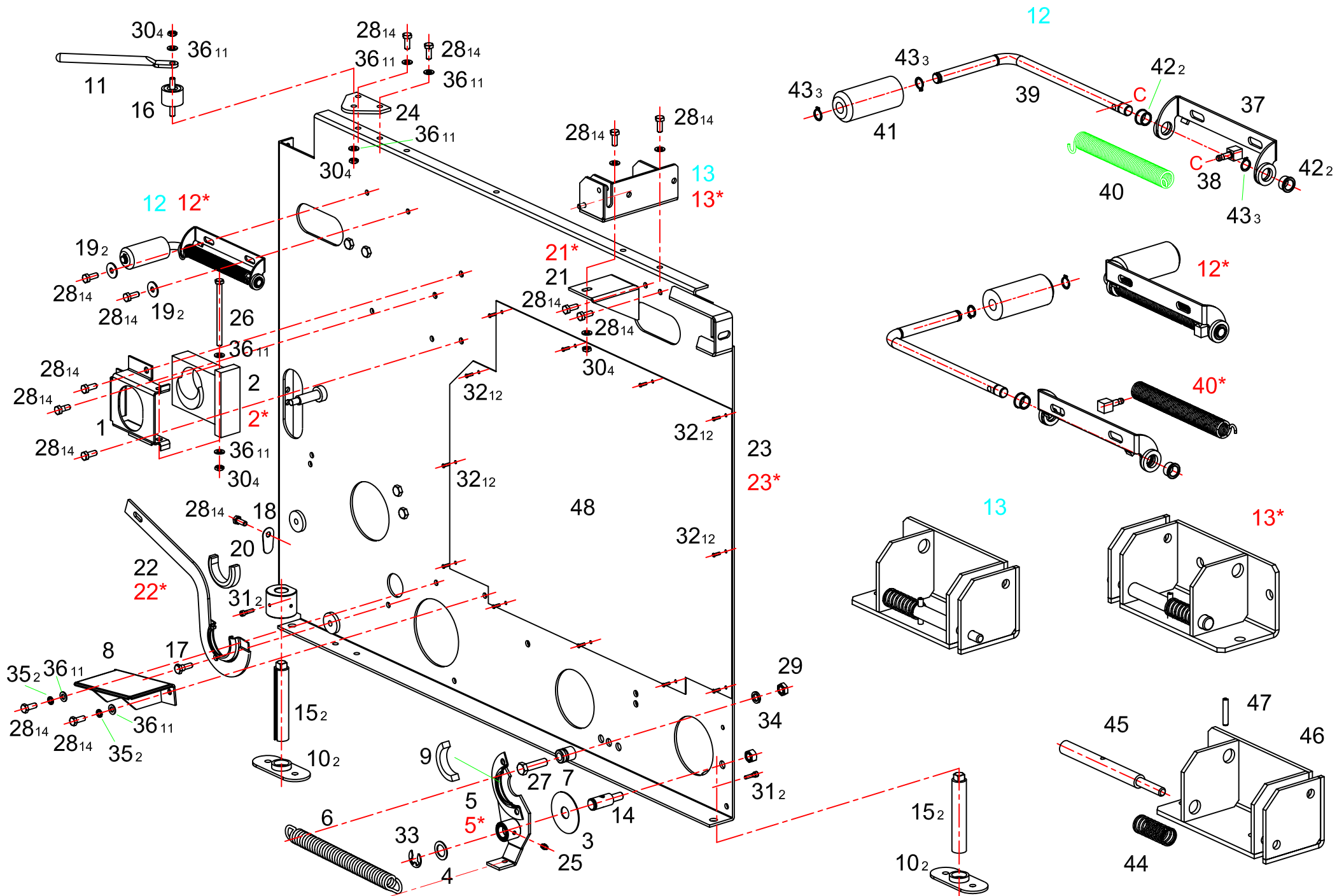




ITEM	PART NO.	DESCRIPTION
1	BL02A-09-01	SUPPORT BOX
2	BL02A-09-02	URETHANE CUSHION BLOCK, R.H.
2*	BL02A-11-02	URETHANE CUSHION BLOCK, L.H.
3	BL02A-09-06	THRUST BEARING
4	BL02A-09-08	WASHER
5	BL02A-09-09-00D	BEARING SUPPORT ASSEMBLY,R.H. FOR L.H. MACH.
5*	BL02A-09-09-00C	BEARING SUPPORT ASSEMBLY,L.H. FOR R.H. MACH.
6	BL02A-09-09-03	BEARING RETAINER
7	BL02A-09-12	SPRING
8	BL02A-09-16	BEARING SUPPORT
9	BL02A-09-22-00	FOOT SUPPORT WELDMENT
10	BL02A-11-04	BUSHING - CURTAIN ROD
11	BL03-09-20	SET SCREW, SPECIAL
12	BL05-09-20A	SET SCREW, SPECIAL
13	BL05-09-21-00	KICKBACK WELDMENT, R.H. SIDE, FOR L.H. MACHINE
13*	BL05-11-03-00	KICKBACK WELDMENT, L.H.SIDE, FOR R.H. MACHINE
14	BL05-09-23	DOOR
15	BL05-09-24	PANEL I
16	BL05-09-25	PANEL II
16*	BL05-09-26	PANEL III
17	GB1152-89 M6	GREASE FITTING
18	GB2673-86 M6X12	FLAT SOCKET CAP SCREW
19	GB2673-86 M8X20	FLAT SOCKET CAP SCREW
20	GB5782-86 M8X110	HEX CAP SCREW
21	GB5783-86 M10X20	HEX CAP SCREW
22	GB5783-86 M6X25	HEX CAP SCREW
23	GB6184-86 M10	LOCKNUT
24	GB6184-86 M8	LOCKNUT

ITEM	PART NO.	DESCRIPTION
25	GB70-85 M10X20	SOCKET HEAD CAP SCREW
26	GB70-85 M10X30	SOCKET HEAD CAP SCREW
27	GB70-85 M5X20	SOCKET HEAD CAP SCREW
28	GB876-86 4X13	RIVET
29	GB896-86 15	RETAINING RING
30	GB97.1-85 6	FLAT WASHER
31	GB97.1-85 8	FLAT WASHER
32	BL05-09-21-03	PANEL
33		
34		
35		
36		
37		
38		
39		
40		
41		
42		
43		
44		
45		
46		
47		
48		
49		
50		
51		
52		
53		
54		
55		
56		

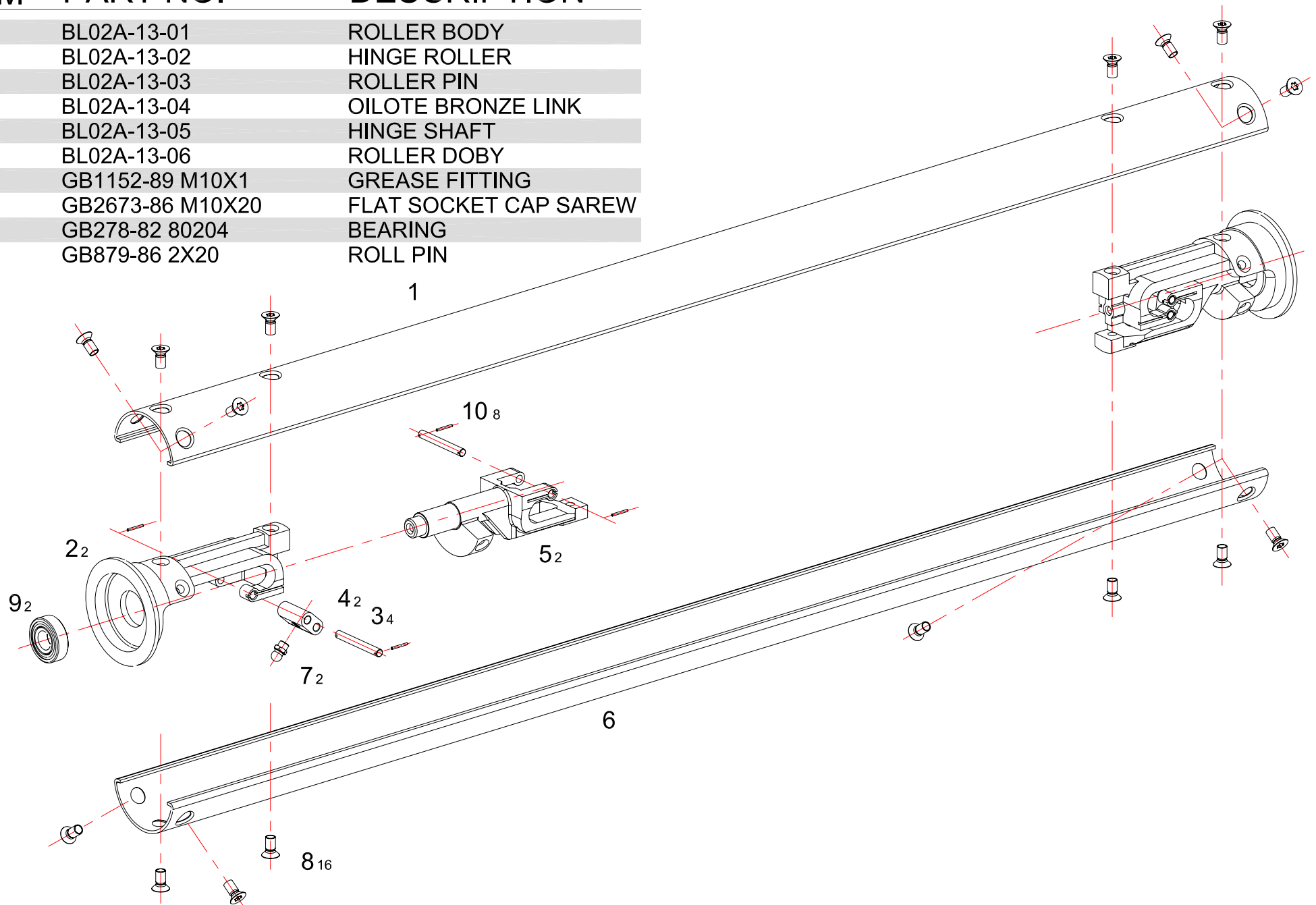




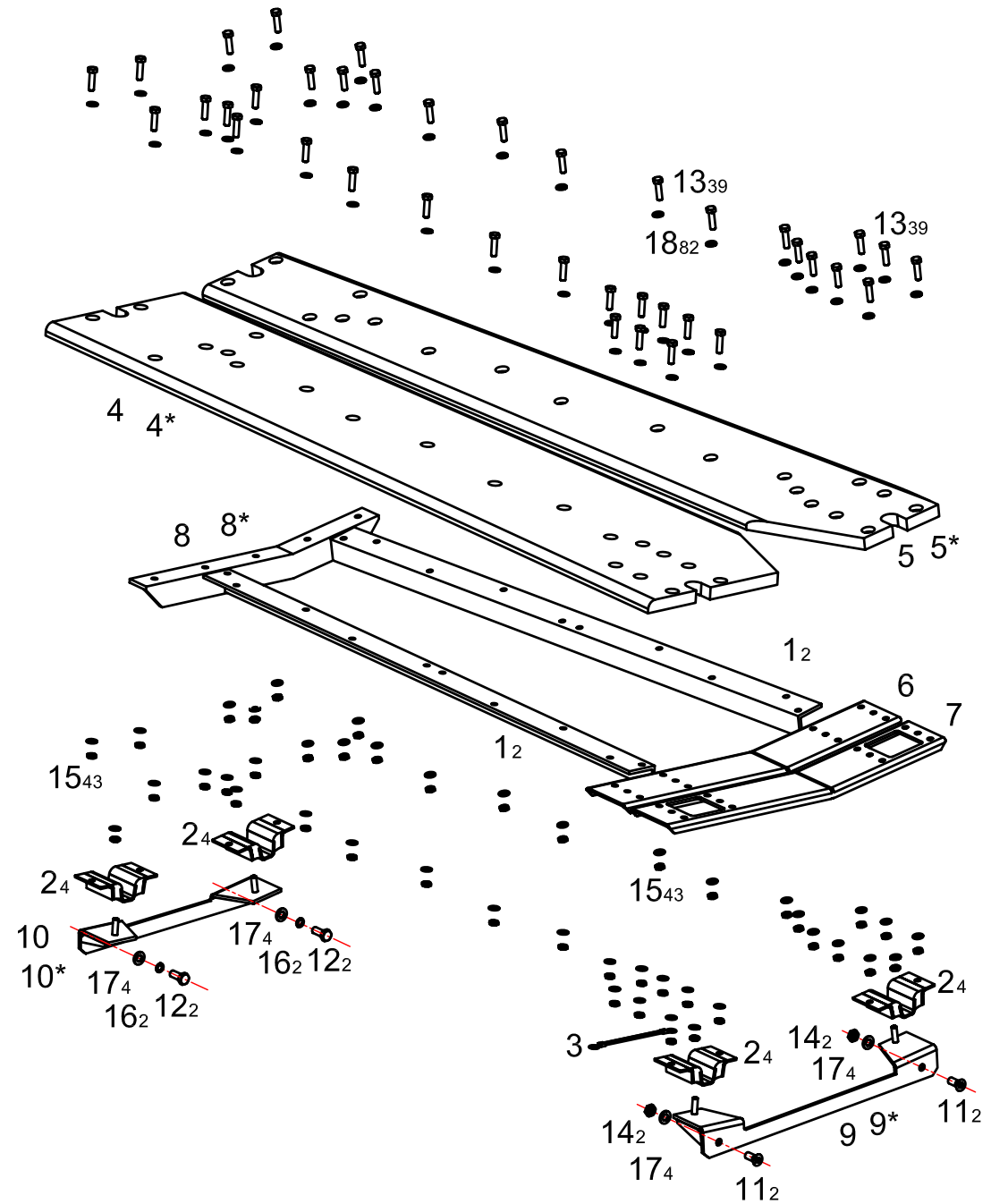
ITEM	PART NO.	DESCRIPTION
1	BL02A-09-01	SUPPORT BOX
2	BL02A-09-02	URETHANE CUSHION BLOCK, R.H.
2*	BL02A-11-02	URETHANE CUSHION BLOCK, L.H.
3	BL02A-09-06	THRUST BEARING
4	BL02A-09-08	WASHER
5	BL02A-09-09-00A	BEARING SUPPORT ASSEMBLY,R.H. FOR R.H. MACH.
5*	BL02A-09-09-00B	BEARING SUPPORT ASSEMBLY,L.H. FOR L.H. MACH.
6	BL02A-09-12	SPRING
7	BL02A-09-13	SPRING POST PIN
8	BL02A-09-14-00	ANGLE
9	BL02A-09-16	BEARING SUPPORT
10	BL02A-09-22-00	FOOT SUPPORT WELDMENT
11	BL02A-10-03	PIN EJECTOR
12	BL02A-10-04-00A	ROLLER ASSEMBLY R.H.
12*	BL02A-10-04-00B	ROLLER ASSEMBLY L.H.
13	BL02A-10-10-00B	SUPPORT BRACKET ASSEMBLY R.H.
13*	BL02A-10-10-00A	SUPPORT BRACKET ASSEMBLY L.H.
14	BL03-09-07	PIVOT STUD
15	BL03-09-20	SET SCREW, SPECIAL
16	BL03-10-02-00	RUBBER SHOCK MOUNTING
17	BL03-10-07	STEEL RIVET
18	BL03-10-11	GROUNGING SIGN
19	BL03-55B-10	WASHER
20	BL05-09-16A	SUPPORT BEARING
21	BL05-10-01	R.H. TREAD
21*	BL05-12-01	L.H. TREAD
22	BL05-10-06-00A	SUPPORT WELDMENT R.H.
22*	BL05-10-06-00B	SUPPORT WELDMENT L.H.
23	BL05-10-09-00	KICKBACK WELDMENT, R.H. SIDE, FOR R.H. MACHINE

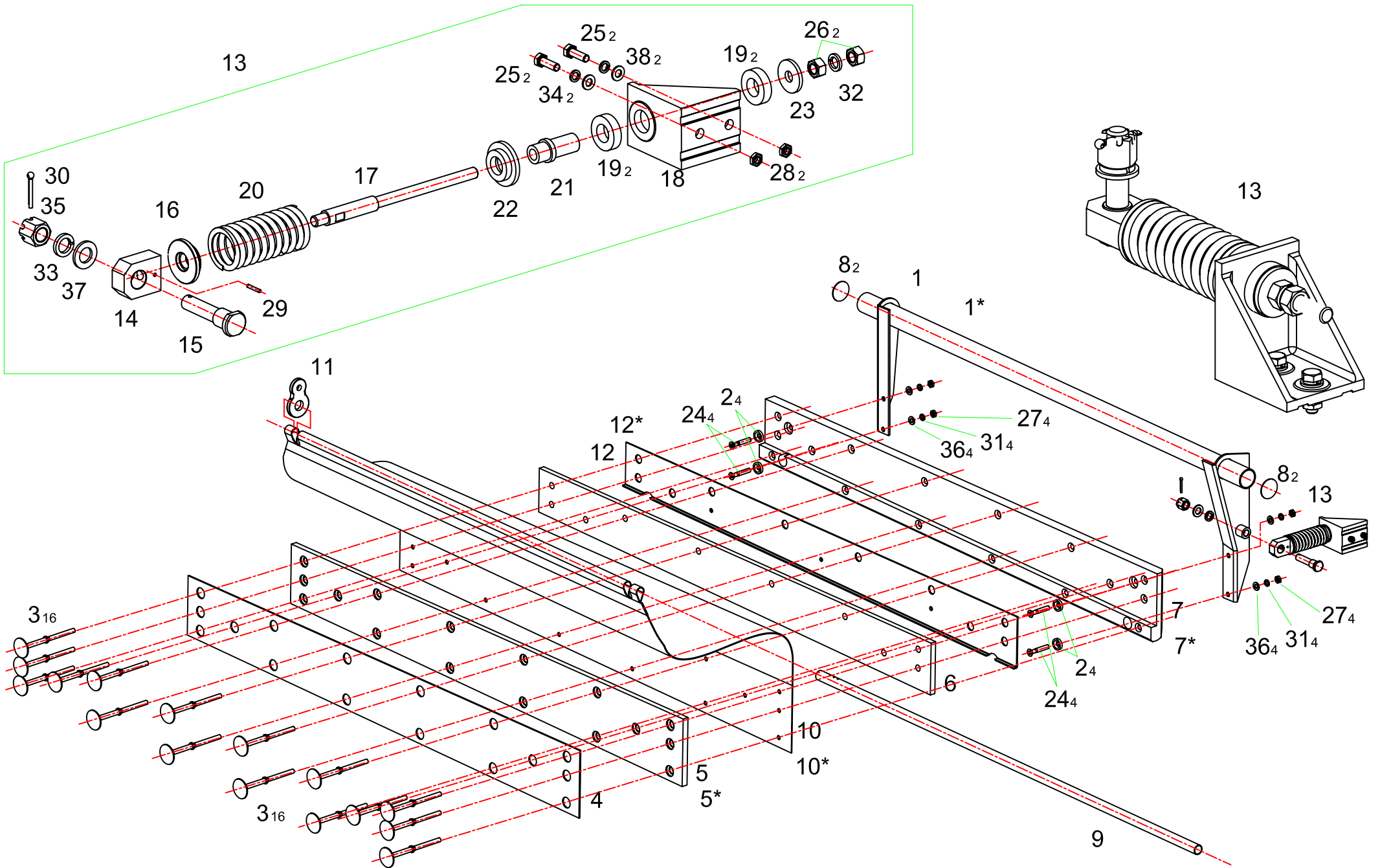
ITEM	PART NO.	DESCRIPTION
23*	BL05-12-03-00	KICKBACK WELDMENT, L.H.SIDE, FOR L.H. MACHINE
24	BL05-10-12	SUPPORT PANEL
25	GB1152-89 M6	GREASE FITTING
26	GB5782-86 M8X110	HEX CAP SCREW
27	GB5783-86 M12X45	HEX CAP SCREW
28	GB5783-86 M8X20	HEX CAP SCREW
29	GB6184-86 M12	LOCKNUT
30	GB6184-86 M8	LOCKNUT
31	GB70-85 M5X20	SOCKET HEAD CAP SCREW
32	GB876-86 4X13	STEEL DRIVE RIVET
33	GB896-86 15	RETAINING RING
34	GB93-87 12	SPRING WASHER
35	GB93-87 8	SPRING WASHER
36	GB97.1-85 8	FLAT WASHER
37	BL02A-10-04-01-00	BRACKET WELDMENT
38	BL02A-10-04-02	PIN STOP
39	BL02A-10-04-03	SHAFT
40	BL02A-10-04-04B	SPRING L.H.
40*	BL02A-10-04-04A	SPRING R.H.
41	BL02A-10-04-05	ROLLER
42	BL02A-10-04-06	FLANGED BUSHING
43	GB894.1-86 12	RETAINING RING
44	BL02A-10-10-01	SPRING
45	BL02A-10-10-02	CURTAIN LATCH PIN
46	BL02A-10-10-03-00	SUPPORT BRACKET WELDMENT
47	GB879-86 4X24	ROLL PIN
48	BL02A-10-05	PANEL

ITEM	PART NO.	DESCRIPTION
1	BL02A-13-01	ROLLER BODY
2	BL02A-13-02	HINGE ROLLER
3	BL02A-13-03	ROLLER PIN
4	BL02A-13-04	OILOTE BRONZE LINK
5	BL02A-13-05	HINGE SHAFT
6	BL02A-13-06	ROLLER DOBY
7	GB1152-89 M10X1	GREASE FITTING
8	GB2673-86 M10X20	FLAT SOCKET CAP SAREW
9	GB278-82 80204	BEARING
10	GB879-86 2X20	ROLL PIN



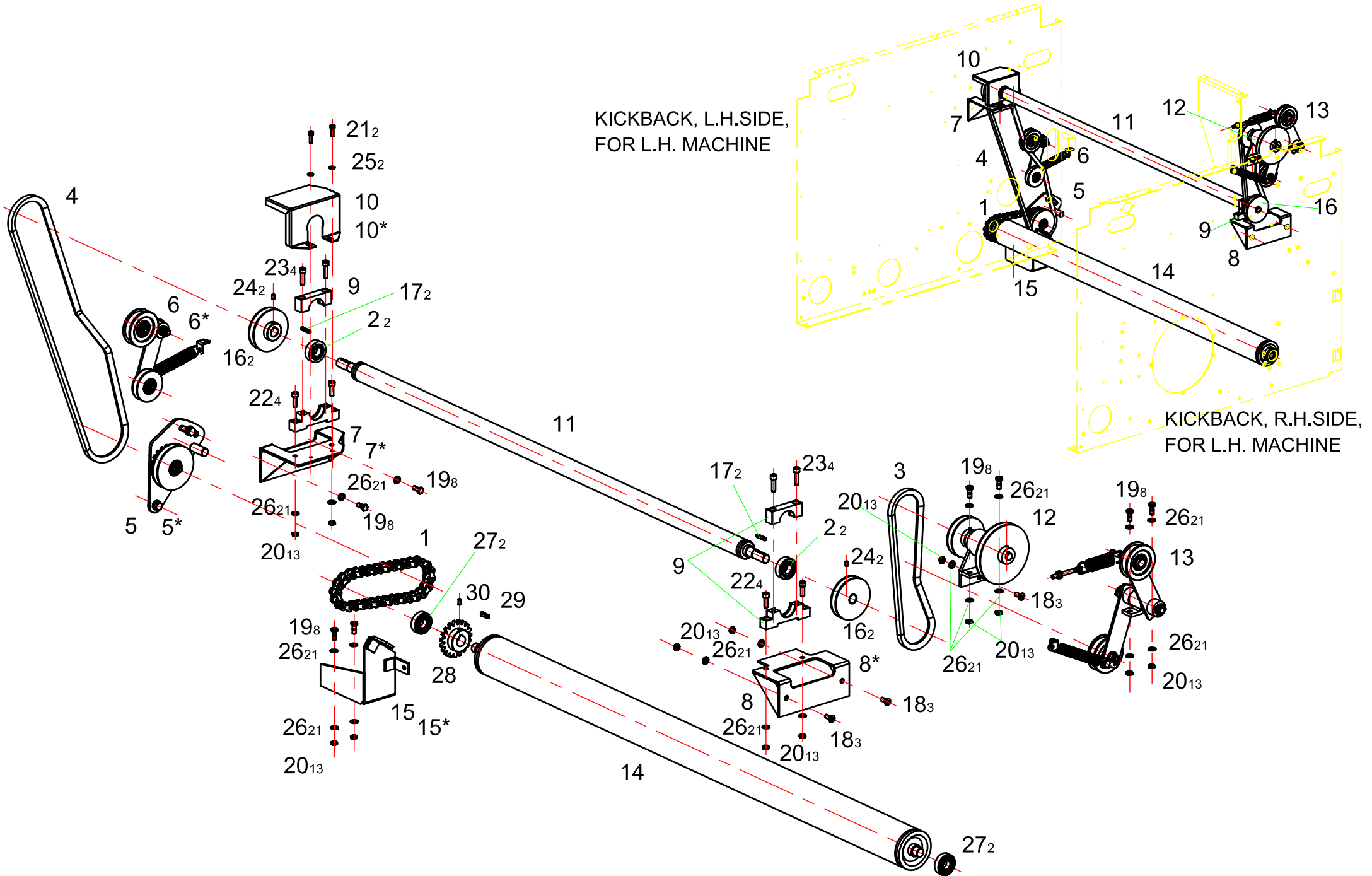
ITEM	PART NO.	DESCRIPTION
1	BL02A-14-04	REINFORCING BAR
2	BL02A-14-06-00	VIBRATION DAMPENER
3	BL02A-14-08	BONDING STRAP
4	BL05-14-01L	BOUNCE BOARD FRONT L.H.
4*	BL05-14-01R	BOUNCE BOARD FRONT R.H.
5	BL05-14-02L	BOUNCE BOARD REAR L.H.
5*	BL05-14-02R	BOUNCE BOARD REAR R.H.
6	BL05-14-03	CHANNEL I
7	BL05-14-03A	CHANNEL II
8	BL05-14-05L	ANGLE SUPPORT L.H.
8*	BL05-14-05R	ANGLE SUPPORT R.H.
9	BL05-14-07-00AL	PIT SUPPORT BRACKET R.H. FOR L.H. MACHINE
9*	BL05-14-07-00AR	PIT SUPPORT BRACKET L.H. FOR R.H. MACHINE
10	BL05-14-07-00BL	PIT SUPPORT BRACKET L.H. FOR L.H. MACHINE
10*	BL05-14-07-00BR	PIT SUPPORT BRACKET R.H. FOR R.H. MACHINE
11	GB2673-86 M10X25	FLAT SOCKET CAP SCREW
12	GB5783-86 M10X25	HEX CAP SCREW
13	GB5783-86 M8X30	HEX CAP SCREW
14	GB6184-86 M10	LOCKNUT
15	GB6184-86 M8	LOCKNUT
16	GB93-87 10	SPRING WASHER
17	GB97.1-85 10	FLAT WASHER
18	GB97.1-85 8	FLAT WASHER
19		
20		
21		





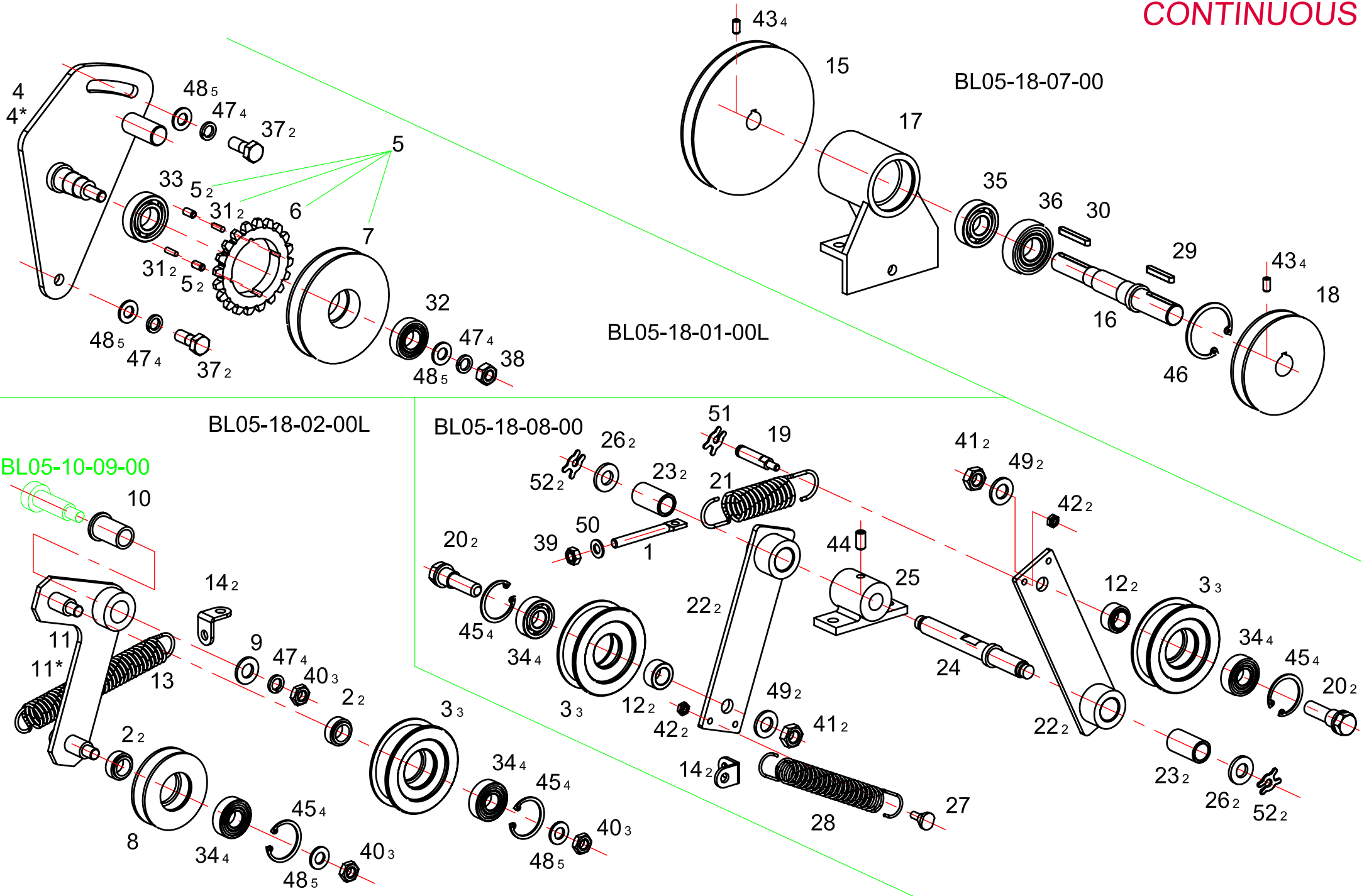
ITEM	PART NO.	DESCRIPTION
1	BL03-17-01-00	HANGER WELDMENT, L.H.
1*	BL03-17-02-00	HANGER WELDMENT, R.H.
2	BL02A-17-03	PLANK WASHER
3	BL02A-17-05	RIVET, RUBBER
4	BL02A-17-06	SMOOTHIE CUSHION FACING
5	BL02A-17-07A	CUSHION, L.H.
5*	BL02A-17-07B	CUSHION, R.H.
6	BL02A-17-08	CUSHION SPONGE
7	BL02A-17-09	WOOD CUSHION PLANK, L.H.
7*	BL02A-17-10	WOOD CUSHION PLANK, R.H.
8	BL02A-17-11	SHIELD
9	BL02A-17-12	CURTAIN ROD
10	BL02A-17-13	PIN CURTAIN, L.H.
10*	BL02A-17-13B	PIN CURTAIN, R.H.
11	BL02A-17-14	CURTAIN HANGER
12	BL02A-17-16	PANEL, L.H
12*	BL02A-17-15	PANEL, R.H
13	BL03-17-30-00	SHOCK ABSORBER COMPONETS
14	BL03-17-30-02	COLLAR
15	BL03-17-30-03	SHAFT
16	BL03-17-30-04	SPRING DISC I
17	BL03-17-30-05	ADJUSTING SHAFT
18	BL03-17-30-06	BRACKET
19	BL03-17-30-08	BUMPER RUBBER
20	BL03-17-30-09	SPRING
21	BL03-17-30-10	TUBE

ITEM	PART NO.	DESCRIPTION
23	BL03-17-30-11	SPRING DISC II
23	BL03-17-30-12	WASHER
24	GB2673-86 M10X60	FLAT SOCKET CAP SCREW
25	GB5783-86 M8X25	HEX CAP SCREW
26	GB6170-86 M12	NUT
27	GB6184-86 M10	LOCKNUT
28	GB6184-86 M8	LOCKNUT
29	GB879-86 3X20	ROLL PIN
30	GB91-86 4X28	PIN
31	GB93-87 10	SPRING WASHER
32	GB93-87 12	SPRING WASHER
33	GB93-87 16	SPRING WASHER
34	GB93-87 8	SPRING WASHER
35	GB9458-88 M16X1.5	HEX SLOTTED NUT
36	GB97.1-85 10	FLAT WASHER
37	GB97.1-85 16	FLAT WASHER
38	GB97.1-85 8	FLAT WASHER
39		
40		
41		
42		
43		
44		
45		
46		
47		



ITEM	PART NO.	DESCRIPTION
1	12.7	CHAIN 12.7 (1/2")
2	1204	BEARING 1204
3	A33"/827	BELT
4	A58"/1372	BELT
5	BL05-18-01-00L	PULLEY ADJ. ASSEMBLY L.H.
5*	BL05-18-01-00L	PULLEY ADJ. ASSEMBLY R.H.
6	BL05-18-02-00L	IDLER PULLEY ASSEMBLY L.H.
6*	BL05-18-02-00R	IDLER PULLEY ASSEMBLY R.H.
7	BL05-18-03-00AL	BEARING SET, L.H. FOR L.H. MACH.
7*	BL05-18-03-00AR	BEARING SET, R.H. FOR L.H. MACH.
8	BL05-18-03-00BL	BEARING SET, L.H. FOR R.H. MACH.
8*	BL05-18-03-00BR	BEARING SET, R.H. FOR R.H. MACH.
9	BL05-18-04	BEARING SEAT
10	BL05-18-05L	SEAT L.H.
10*	BL05-18-05R	SEAT R.H.
11	BL05-18-06-00	LONG SHAFT
12	BL05-18-07-00	PULLEY ASSEMBLY
13	BL05-18-08-00	IDLER ASSEMBLY
14	BL05-18-09-01-00	REAR ROLLER
15	BL05-18-10-00L	BRACKET L.H.
15*	BL05-18-10-00R	BRACKET R.H.
16	BL05-18-11	SMALL PULLEY
17	GB1096-79 5X30	KEY
18	GB2673-86 M8X25	FLAT SOCKET CAP SCREW
19	GB5783-86 M8X25	HEX HEAD SCREW
20	GB6184-86 M8	LOCKNUT

ITEM	PART NO.	DESCRIPTION
21	GB70-85 M6X20	SOCKET HEAD CAP SCREW
22	GB70-85 M8X25	SOCKET HEAD CAP SCREW
23	GB70-85 M8X30	SOCKET HEAD CAP SCREW
24	GB77-85 M6X10	SOCKET SET SCREW
25	GB97.1-85 6	FLAT WASHER
26	GB97.1-85 8	FLAT WASHER
27	GB278-89 80204	BEARING
28	BL05-18-09-02-00	CHAIN GEAR WELDMENT
29	GB1096-79 6X25	KEY
30	GB77-85 M6X12	SOCKET SET SCREW
31		
32		
33		
34		
35		
36		
37		
38		
39		
40		
41		
42		
43		
44		
45		
46		



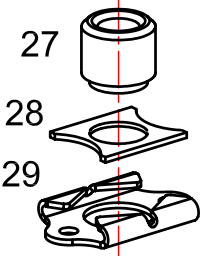
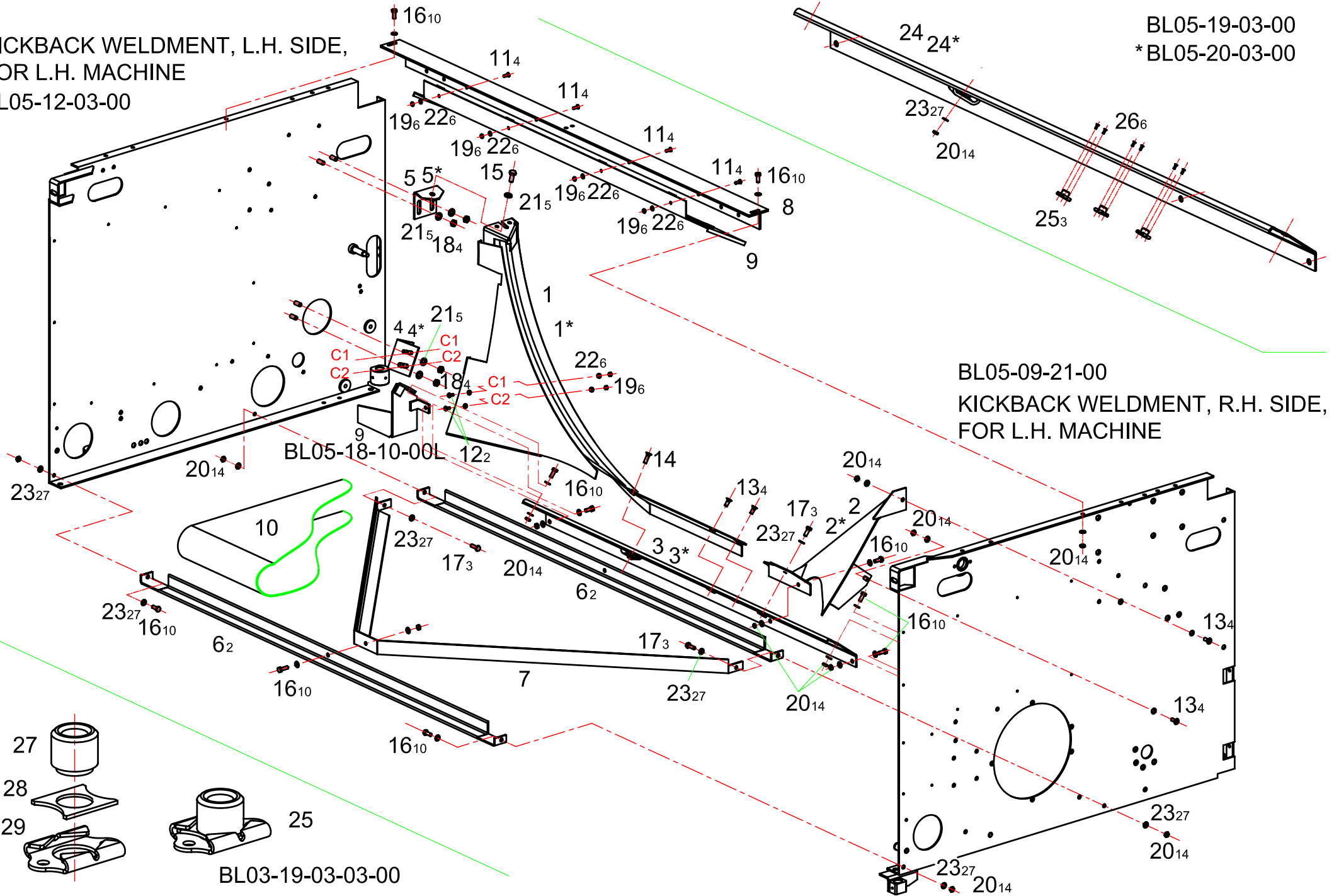
ITEM	PART NO.	DESCRIPTION
1	BL03-04-01	STUD-SPRING
2	BL05-08-06-03	BUSHING
3	BL05-08-06-07	TENSION WHEEL
4	BL05-18-01-01-00L	PLATE ADJ. L.H.
4*	BL05-18-01-01-00R	PLATE ADJ. R.H.
5	BL05-18-01-02-00	GEAR ASSEMBLY
6	BL05-18-01-02-01	CHAIN GEAR I
7	BL05-18-01-02-02	PULLEY
8	BL05-18-02-01	IDLER PULLEY II
9	BL05-18-02-02	WASHER
10	BL05-18-02-03	BUSHING
11	BL05-18-02-04-00L	IDLER PULLEY ARM L.H.
11*	BL05-18-02-04-00R	IDLER PULLEY ARM R.H.
12	BL05-18-02-06	SPACER
13	BL05-18-02-07	PULLING SPRING
14	BL05-18-02-08	SPRING HANGER
15	BL05-18-07-01	PULLEY
16	BL05-18-07-02	SHAFT
17	BL05-18-07-03	BUSHING
18	BL05-18-07-04	SMALL PULLEY I
19	BL05-18-08-01	SHAFT
20	BL05-18-08-02	SHAFT
21	BL05-18-08-03	SPRING
22	BL05-18-08-04	ARM
23	BL05-18-08-05	BRONZE BUSHING
24	BL05-18-08-06	SEAT
25	BL05-18-08-07	BUSHING
26	BL05-18-08-08	WASHER
27	BL05-18-08-09	SHAFT
28	BL05-18-08-10	PULLING SPRING
29	GB1096-79 5X25	KEY
30	GB1096-79 5X40	KEY

ITEM	PART NO.	DESCRIPTION
31	GB117-86 4X10	ELASTIC ROLLER PIN
32	GB278-89 80103	BEARING
33	GB278-89 80104	BEARING
34	GB278-89 80202	BEARING
35	GB278-89 80203	BEARING
36	GB278-89 80204	BEARING
37	GB5783-86 M10X25	HEX HEAD SCREW
38	GB6170-86 M10	NUT
39	GB6170-86 M8	NUT
40	GB6184-86 M10	LOCK NUT
41	GB6184-86 M12	LOCK NUT
42	GB6184-86 M6	LOCK NUT
43	GB78-85 M6X12	SOCKET SET SCREW
44	GB77-85 M8X10	SOCKET SET SCREW
45	GB893.1-86 35	RAITAINING RING
46	GB893.1-86 47	RAITAINING RING
47	GB93-87 10	SPRING WASHER
48	GB97.1-85 10	FLAT WASHER
49	GB97.1-85 12	FLAT WASHER
50	GB97.1-85 8	FLAT WASHER
51	BLB001-06	X WASHER
52	BLB001-12	X WASHER
53		
54		
55		
56		
57		
58		
59		
60		
61		
62		



KICKBACK WELDMENT, L.H. SIDE,
FOR L.H. MACHINE
BL05-12-03-00

BL05-19-03-00
*BL05-20-03-00



BL03-19-03-03-00

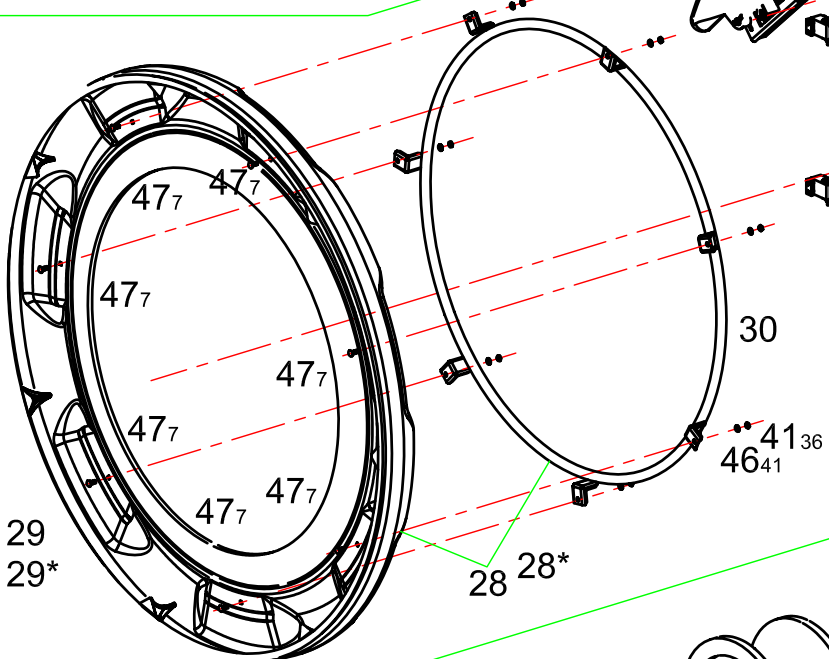
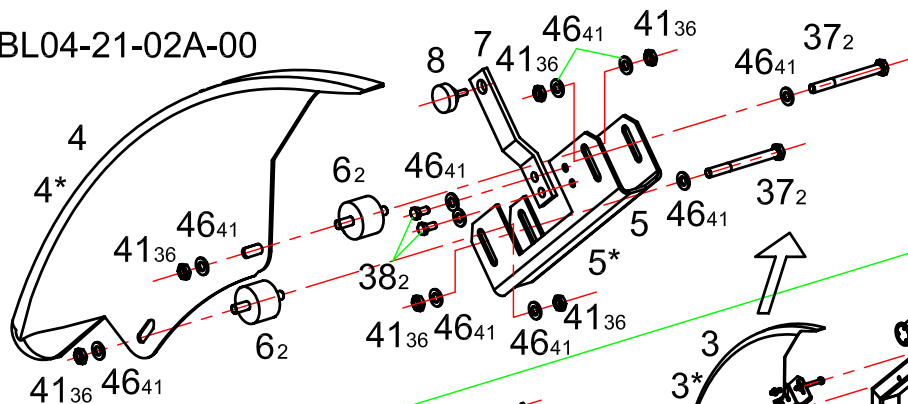
BL05-09-21-00
KICKBACK WELDMENT, R.H. SIDE,
FOR L.H. MACHINE

ITEM	PART NO.	DESCRIPTION
1	BL05-19-01-00	L.H. PLOW & MAT WELDMENT-LARGE
1*	BL05-20-01-00	R.H. PLOW & MAT WELDMENT-LARGE
2	BL02A-19-02-00	L.H. PLOW & MAT WELDMENT-SMALL
2*	BL02A-20-02-00	R.H. PLOW & MAT WELDMENT-SMALL
3	BL05-19-03-00	L.H. APRON ASSEMBLY
3*	BL05-20-03-00	R.H. APRON ASSEMBLY
4	BL02A-19-04	CLIP-BOTTOM L.H.
4*	BL02A-20-04	CLIP-BOTTOM R.H.
5	BL03-19-05-00	CLIP WELDMENT L.H.
5*	BL03-20-05-00	CLIP WELDMENT R.H.
6	BL02A-15-00	STRAP WELDMENT
7	BL02A-16-00	BRACE
8	BL05-40-01	SUPPORT BRACKET
9	BL05-40-02-00	PROTECTIVE PANEL WELDMENT
10	BL02A-41	CARPET BELT
11	GB2673-86 M6X16	FLAT SOCKET CAP SCREW
12	GB2673-86 M6X20	FLAT SOCKET CAP SCREW
13	GB2673-86 M8X20	FLAT SOCKET CAP SCREW
14	GB2673-86 M8X40	FLAT SOCKET CAP SCREW
15	GB5783-86 M10X25	HEX CAP SCREW
16	GB5783-86 M8X20	HEX CAP SCREW
17	GB5783-86 M8X25	HEX CAP SCREW
18	GB6184-86 M10	LOCKNUT
19	GB6184-86 M6	LOCKNUT
20	GB6184-86 M8	LOCKNUT
21	GB97.1-85 10	FLAT WASHER
22	GB97.1-85 6	FLAT WASHER
23	GB97.1-85 8	FLAT WASHER
24	BL05-19-03-01	L.H. APRON
24*	BL05-20-03-01	R.H. APRON
25	BL03-19-03-03-00	SPECIAL NUT ASSEMBLY
26	GB869-86 3X8	RIVET

ITEM	PART NO.	DESCRIPTION
27	BL03-19-03-03-01	NUT, SPECIAL
28	BL02A-19-03-03-02	RIVET JOINT PANNEL
29	BL02A-19-03-03-03	CROOKED PANEL
30		
31		
32		
33		
34		
35		
36		
37		
38		
39		
40		
41		
42		
43		
44		
45		
46		
47		
48		
49		
50		
51		
52		
53		
54		
55		
56		
57		
58		

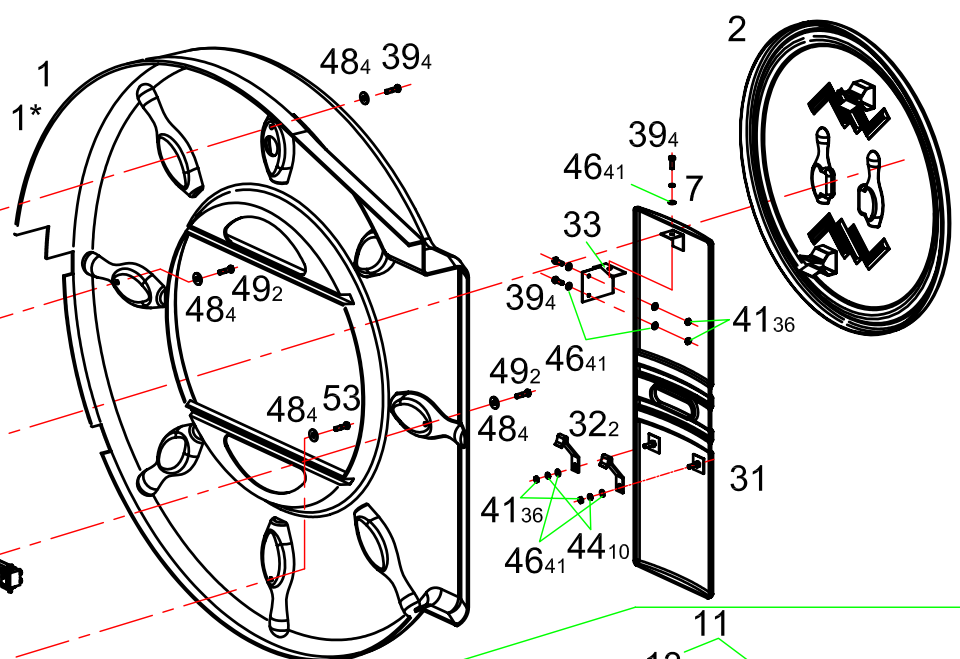
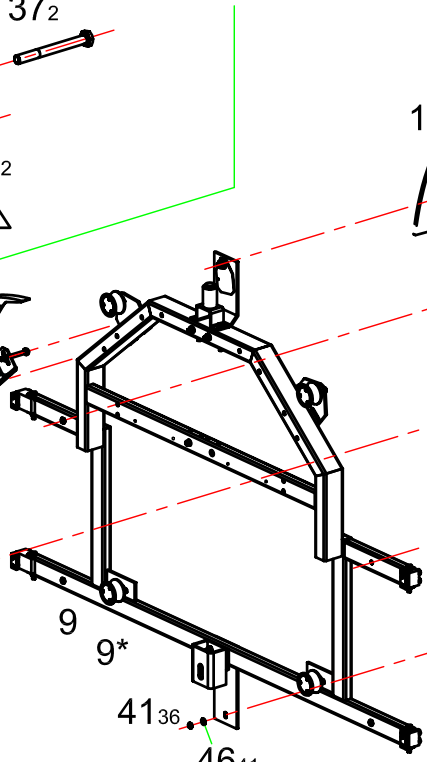


BL04-21-02A-00

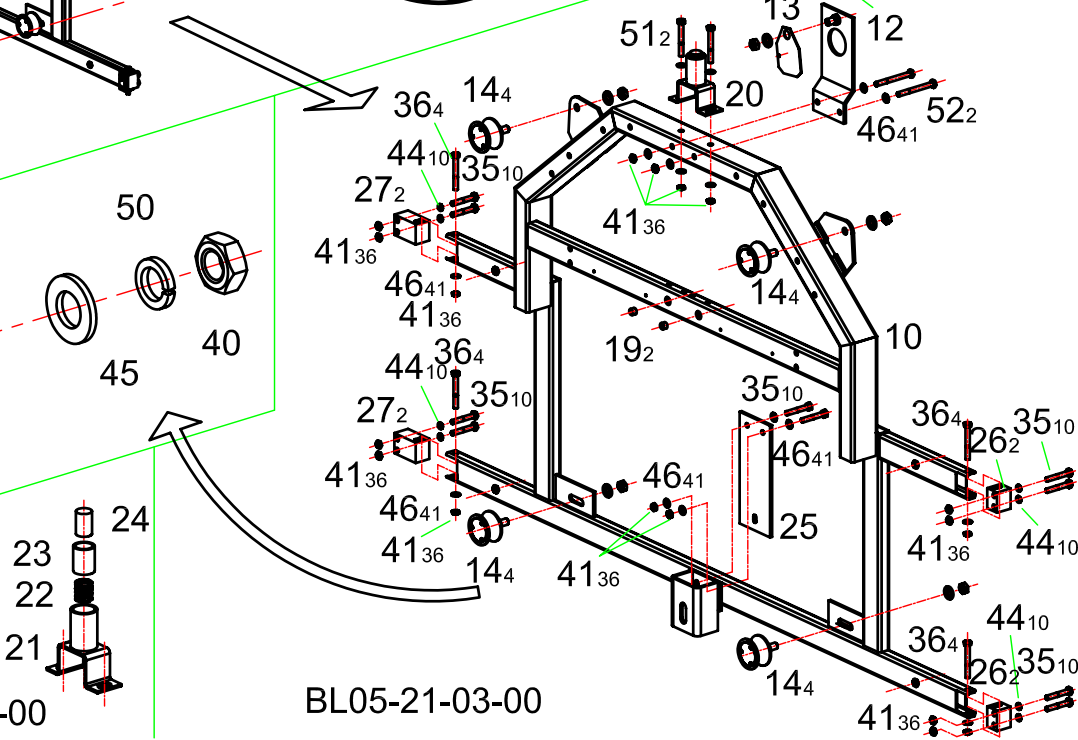


BL03-21-01-00

BL05-21-03-06-00



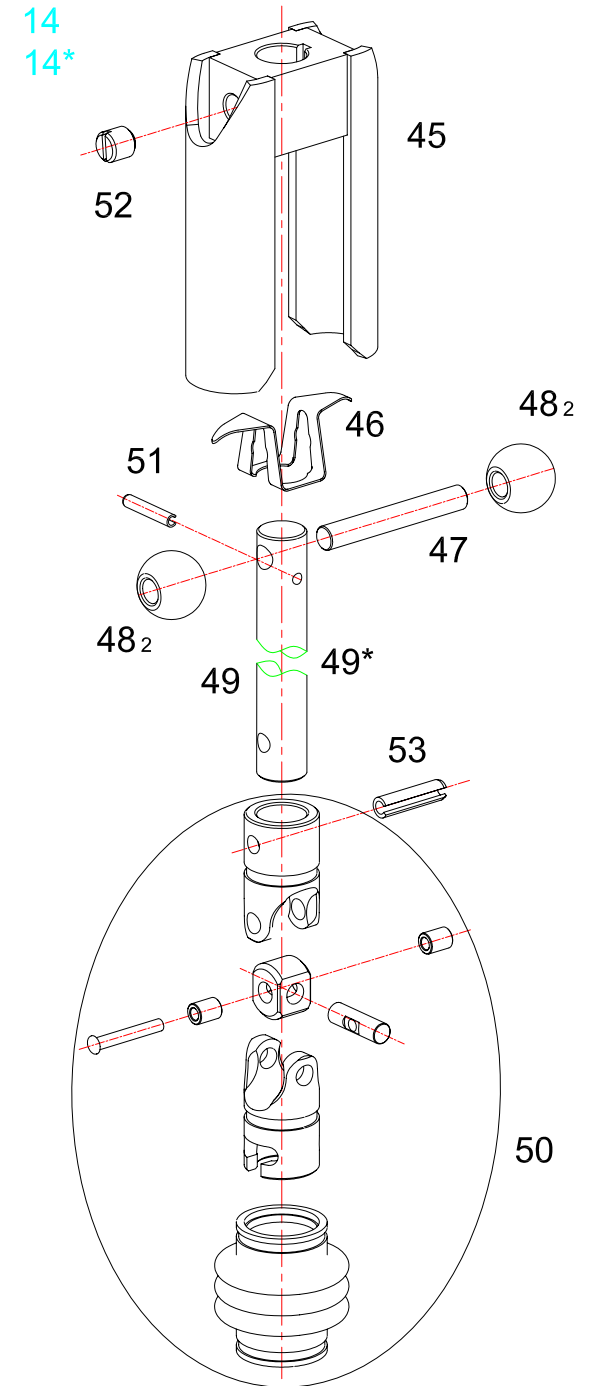
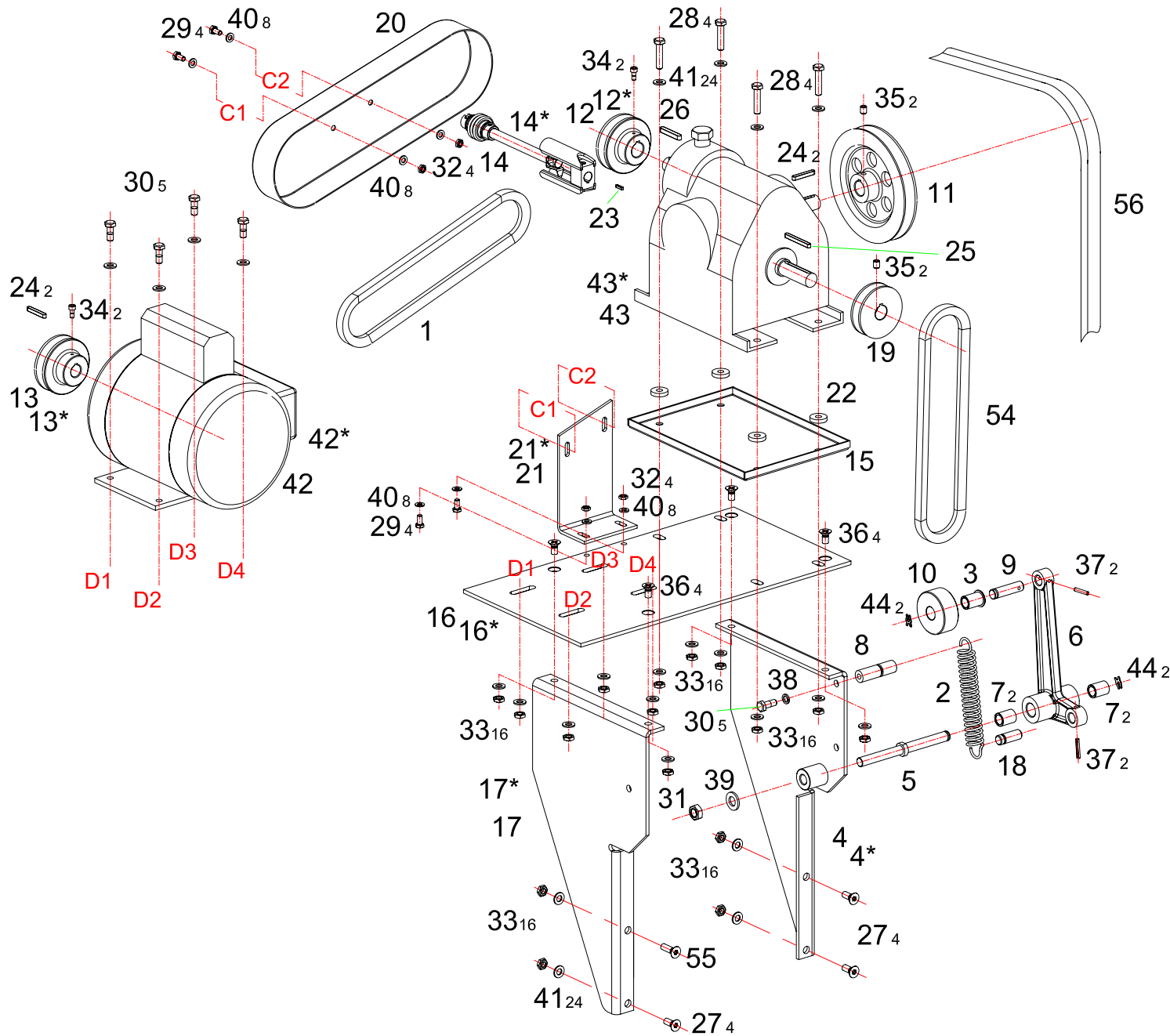
BL05-21-03-00



ITEM	PART NO.	DESCRIPTION
1	BL05-21-01-01-00L	WHELL GUARD, L.H.
1*	BL05-21-01-01-00R	WHELL GUARD, R.H.
2	BL05-21-01-02-00	WHELL WINDOW
3	BL04-21-02A-00	RAIL ASSEMBLY, L.H.
3*	BL04-21-02B-00	RAIL ASSEMBLY, R.H.
4	BL04-21-02A-01	RAIL, L.H.
4*	BL04-21-02B-01	RAIL, R.H.
5	BL04-21-02A-02	PIN HOLDER BRACHET MOUNT, L.H.
5*	BL04-21-02B-02	PIN HOLDER BRACHET MOUNT, R.H.
6	BL04-21-02-03-00	RUBBER SPACER MOUNT
7	BL04-21-02-04	BRACKET
8	BL04-21-02-05	BUMPER
9	BL05-21-03-00L	ELEVATOR SUPPORT ASSEMBLY, L.H.
9*	BL05-21-03-00R	ELEVATOR SUPPORT ASSEMBLY, R.H.
10	BL05-21-03-01-00A	ELEVATOR SUPPORT FRAME WELDMENT, L.H.
11	BL05-21-03-02-00A	UPPER BRACKET ASSEMBLY
12	BL05-21-03-02-01-00A	BRACKET WELDMENT
13	BL05-21-03-02-02-00A	COVER
14	BL03-21-01-00	ROLLER ASSEMBLY
15	BL03-21-01-01	ROLLER
16	BL03-21-01-02	END COVER
17	BL03-21-01-03	SHAFT
18	BL03-21-01-05	BUSHING
19	BL04-21-03-05	BUSHING
20	BL05-21-03-06-00	OILER ASSEMBLY
21	BL05-21-03-06-01-00	OILER BRACKET WELDMENT
22	BL05-21-03-06-03A	SPRING
23	BL05-21-03-06-04	OILER BODY
24	BL05-21-03-06-05	WICK
25	BL07-21-03-07	DOWN BEACKET
26	BL04-21-03-09	HINGE BLOCK, BALL EXIT SIDE

ITEM	PART NO.	DESCRIPTION
27	BL05-21-03-09A	HINGE BLOCK, SIDE OPPOSITE BALL EXIT
28	CEBL05-21-04A-00	PIN WHELL ASSEMBLY, L.H.
28*	CEBL05-21-04B-00	PIN WHELL ASSEMBLY, R.H.
29	CEBL05-21-04A-01-00	PIN WHELL WELDMENT, L.H.
29*	CEBL05-21-04B-01-00	PIN WHELL WELDMENT, R.H.
30	CEBL05-21-04-02-00	RING WELDMENT
31	BL05-21-05-01-00	RECTANGULAR GUARD
32	BL04-21-05-02	HANGER
33	BL05-21-05-03-00	BRACKET WELDMENT
34	GB276-89 201	BEARING
35	GB5782-86 M8X50	HEX CAP SCREW
36	GB5782-86 M8X65	HEX CAP SCREW
37	GB5782-86 M8X75	HEX CAP SCREW
38	GB5783-86 M8X20	HEX CAP SCREW
39	GB5783-86 M8X25	HEX CAP SCREW
40	GB6184-86 M12	LOCKNUT
41	GB6184-86 M8	LOCKNUT
42	GB68-85 M3X8	BOLT
43	GB894.1-86 12	RAITAINING RING
44	GB93-87 8	SPRING WASHER
45	GB97.1-85 12	FLAT WASHER
46	GB97.1-85 8	FLAT WASHER
47	GB/T12-88 M8X15	SEMICIRCLE HEAD SQUARE SCREW
48	φ42Xφ10X3	WASHER
49	GB5782-86 M8X40	HEX CAP SCREW
50	GB93-87 12	SPRING WASHER
51	GB5782-86 M8X55	HEX CAP SCREW
52	GB5782-86 M8X80	HEX CAP SCREW
53	GB5782-86 M8X30	HEX CAP SCREW
54		
55		





ITEM	PART NO.	DESCRIPTION
1	A27"	BELT
2	BL02A-08-18-33	SPRING
3	BL02A-08-28-01-02-02	FLANGE BUSHING
4	BL03-38-01-00	BRACKET WELDMENT I, L.H.
4*	BL03-38-02-00	BRACKET WELDMENT I, R.H.
5	BL03-38-03	SHAFT
6	BL02A-38-04	BELT TIGHTENER ARM
7	BL02A-38-05	SLEEVE BEARING
8	BL03-38-07	PIN
9	BL02A-38-08	PIN
10	BL02A-38-10	PULLEY
11	BL03-38-11	PULLEY
12	BL03-38-12	SHEAVE
12*	CEBL05-38-12	SHEAVE, FOR 60Hz MOTOR
13	BL03-38-13A	PIN ELEVATOR SHEAVE, FOR 50Hz
13*	CEBL05-38-13	PIN ELEVATOR SHEAVE, FOR 60Hz
14	BL03-38-14B-00A	DIST. DRIVE SHAFT ASSEMBLY, L.H.
14*	BL03-38-14B-00B	DIST. DRIVE SHAFT ASSEMBLY, R.H.
15	BL03-38-15	BACK END MOTOR DRIP PAN
16	BL03-38-16B	MOTOR MOUNT PANEL, L.H.
16*	BL03-38-16A	MOTOR MOUNT PANEL, R.H.
17	BL03-38-17	BRACKET WELDMENT II, L.H.
17*	BL03-38-18	BRACKET WELDMENT II, R.H.
18	BL02A-38-19	PIN
19	BL03-38-20	BACK END DRIVE SHEAVE
20	BL03-38-21	SAFETY COVER
21	BL03-38-22A	COVER BRACKET, L.H.
21*	BL03-38-22B	COVER BRACKET, R.H.
22	BL02A-38-23	PAPER WASHER
23	GB1096-79 3X15	KEY
24	GB1096-79 5X35	KEY
25	GB1096-79 5X50	KEY
26	GB1096-79 6X40	KEY
27	GB2673-86 M8X20	FLAT SOCKET CAP SCREW
28	GB5782-86 M8X40	HEX CAP SCREW
29	GB5783-86 M6X20	HEX CAP SCREW

ITEM	PART NO.	DESCRIPTION
30	GB5783-86 M8X20	HEX CAP SCREW
31	GB6184-86 M12	LOCKNUT
32	GB6184-86 M6	LOCKNUT
33	GB6184-86 M8	LOCKNUT
34	GB70-85 M5X12	SOCKET HEAD CAP SCREW
35	GB77-85 M8X10	SOCKET SET SCREW
36	GB819-85 M8X20	FLAT COUNTERSUNK HEAD SCREW
37	GB879-86 4X24	ROLL PIN
38	GB93-87 8	SPRING WASHER
39	GB97.1-85 12	FLAT WASHER
40	GB97.1-85 6	FLAT WASHER
41	GB97.1-85 8	FLAT WASHER
42	SSH-0374-1	MOTOR, 220V/50Hz
42*	SSH-0374-2	MOTOR, 110V/60Hz
43	WCH2-L	GEARBOX, L.H.
43*	WCH2-R	GEARBOX, R.H.
44	BLB001-12	X WASHER
45	BL03-38-14B-01-00	DISTRIBUTOR DRIVE HOUSING
46	BL02A-38-14B-02	BALL BEARING RETAINER
47	BL02A-38-14B-03	PIN
48	BL02A-38-14-04	BALL BEARING
49	BL02A-38-14B-05A	DISTRIBUTOR DRIVE SHAFT, L.H.
49*	BL02A-38-14B-05B	DISTRIBUTOR DRIVE SHAFT, R.H.
50	BL02A-38-14-06-00	METAL UNIVERSAL JOINT
51	SAE AMS 7205E 1/8"	ROLL PIN ϕ 1/8"X3/4"
52	GB80-85 M8X8	SOCKET SET SCREW
53	SAE AMS 7205E 3/16"	ROLL PIN ϕ 3/16"X3/4"
54	A37"	BELT
55	GB2673-86 M8X25	FLAT SOCKET CAP SCREW
56	B190"/4826	PIN WHELL BELT
57		
58		
59		
60		
61		
62		



PART NO.	PAGE	PART NO.	PAGE	PART NO.	PAGE	PART NO.	PAGE
12.7	48	BL02A-01-02-12-00	10	BL02A-01-39A	6	BL02A-02-27A	14
1204	48	BL02A-01-02-12-01	10	BL02A-01-39B	14	BL02A-02-27B	14
99502H	30,32, 36	BL02A-01-02-12-02	10	BL02A-02-01-00	16	BL02A-02-28	14
A33"/827	48	BL02A-01-02-12-03	10	BL02A-02-01-01	16	BL02A-02-29	14
A58"/1372	48	BL02A-01-02-12-04	10	BL02A-02-01-02	16	BL02A-02-30	14,30
A27"	56	BL02A-01-02-17	10	BL02A-02-01-03	16	BL02A-02-31	14
A37"	8	BL02A-01-02-19	10	BL02A-02-01-04	16	BL02A-02-32	14
B190"/4826	56	BL02A-01-02-20	10	BL02A-02-01-05	16	BL02A-02-33A	14
BL02A-01-01-02	8	BL02A-01-02-22	10	BL02A-02-01-06-00	16	BL02A-02-33B	14
BL02A-01-01-03	8	BL02A-01-02-25	10	BL02A-02-01-07	16	BL02A-02-34	14
BL02A-01-01-04-01	8	BL02A-01-02-26	10	BL02A-02-01-09	16	BL02A-02-35	14
BL02A-01-01-04-02	8	BL02A-01-02-27	10	BL02A-02-01-10A	16	BL02A-02-36A	14
BL02A-01-01-06	8	BL02A-01-02-31	10	BL02A-02-01-10B	16	BL02A-02-36B	14
BL02A-01-01-07	8	BL02A-01-03-00	6,12	BL02A-02-01-11	16	BL02A-02-38	14
BL02A-01-01-08	8	BL02A-01-05	6,12	BL02A-02-01-12	16	BL02A-02-39	14
BL02A-01-01-11	8	BL02A-01-07-0	2,4	BL02A-02-03	14	BL02A-02-40	14
BL02A-01-01-12-00	8	BL02A-01-07-13A	2,4	BL02A-02-04	14	BL02A-02-42	14
BL02A-01-01-14	8	BL02A-01-14	6,12	BL02A-02-06A	14	BL02A-02-43A	14
BL02A-01-01-15	8	BL02A-01-15	6,12	BL02A-02-06B	14	BL02A-02-43B	14
BL02A-01-02-01	10	BL02A-01-17	6	BL02A-02-08A	14	BL02A-02-44	14
BL02A-01-02-02	10	BL02A-01-18	6	BL02A-02-08B	14	BL02A-02-45	14
BL02A-01-02-03	10	BL02A-01-19	6	BL02A-02-10	14	BL02A-02-46-00	14
BL02A-01-02-04	10	BL02A-01-21	6	BL02A-02-11A-00	14	BL02A-02-47	14
BL02A-01-02-05	10	BL02A-01-22	6	BL02A-02-11B-00	14	BL02A-02-48	14
BL02A-01-02-06	10	BL02A-01-23	6	BL02A-02-19	14	BL02A-03-01	18
BL02A-01-02-07-00	10	BL02A-01-29	6	BL02A-02-20	14	BL02A-03-03	18
BL02A-01-02-08	10	BL02A-01-30	6	BL02A-02-25	14	BL02A-03-04	18
		BL02A-01-32	6	BL02A-02-26	14	BL02A-03-05	18

PART NO.	PAGE	PART NO.	PAGE	PART NO.	PAGE	PART NO.	PAGE
BL02A-03-07	18	BL02A-04-05	20	BL02A-05-08-04	27	BL02A-06-01-02	30
BL02A-03-08-00	18	BL02A-04-06	20	BL02A-05-08-05-01	27	BL02A-06-01-03	30
BL02A-03-11	18	BL02A-04-07	20	BL02A-05-08-05-02-01	27	BL02A-06-01-04-01	30
BL02A-03-14	18	BL02A-04-12	20	BL02A-05-08-05-03	27	BL02A-06-01-04-02-01	30,32
BL02A-03-15	18	BL02A-04-14	20	BL02A-05-08-05-06	27	BL02A-06-01-04-03-01	30
BL02A-03-16-00	18	BL02A-04-16	20	BL02A-05-08-05-08	27	BL02A-06-01-04-03-02	30,32
BL02A-03-16-01A	18	BL02A-04-17	20	BL02A-05-08-08	27	BL02A-06-01-04-06	30,36
BL02A-03-16-01B	18	BL02A-04-19	20	BL02A-05-08-09	27	BL02A-06-01-04-08	30
BL02A-03-16-02	18	BL02A-04-20	20,26	BL02A-05-08-10-01	27	BL02A-06-01-08	30
BL02A-03-16-03	18	BL02A-04-21	20	BL02A-05-08-12	27	BL02A-06-01-12	30
BL02A-03-17	18	BL02A-04-23	20	BL02A-05-08-14	27	BL02A-06-01-14	30
BL02A-03-18	18	BL02A-04-24	20	BL02A-05-08-15	24,27	BL02A-06-01-16	30,36
BL02A-03-20A	18	BL02A-04-28	20	BL02A-05-09A	24	BL02A-06-01-17	30
BL02A-03-20B	18	BL02A-04-31	20	BL02A-05-09B	24	BL02A-06-01-18	30
BL02A-03-21	18	BL02A-04-32	20	BL02A-05-09C	24	BL02A-06-01-20-00	30
BL02A-03-22-01	18,22	BL02A-04-34	20	BL02A-05-09D	24	BL02A-06-02-01-00	32
BL02A-03-22-02	18,22	BL02A-05-03-07-00	26	BL02A-05-10	24	BL02A-06-02-02	32
BL02A-03-22-03	18,22	BL02A-05-03-10	26	BL02A-05-12-00	22	BL02A-06-02-03-00	32
BL02A-03-22-04	18,22	BL02A-05-03-12	26	BL02A-05-14A	22	BL02A-06-02-04	10,14, 32,34
BL02A-03-23	18	BL02A-05-03-13	26	BL02A-05-19	24,27	BL02A-06-02-06	32
BL02A-03-25A	18	BL02A-05-03-18	26	BL02A-05-22	24	BL02A-06-02-07	32
BL02A-03-29	18	BL02A-05-03-23	26	BL02A-05-24	24	BL02A-06-02-08-01	32
BL02A-03-30	18	BL02A-05-03-23A	26	BL02A-05-27A	22	BL02A-06-02-08-02-00	32
BL02A-03-31	18	BL02A-05-04A	22	BL02A-05-28-02	24	BL02A-06-02-09	32
BL02A-03-32-03	18	BL02A-05-04B	22	BL02A-05-28-04A	24	BL02A-06-02-11-02	32
BL02A-04-02	20	BL02A-05-05-00	22	BL02A-05-29	22	BL02A-06-02-11-03	32
BL02A-04-03	20	BL02A-05-08-01	27	BL02A-05-30	22	BL02A-06-02-11-05-00	32
BL02A-04-04	20	BL02A-05-08-03	27	BL02A-05-32	22		

PART NO.	PAGE	PART NO.	PAGE	PART NO.	PAGE	PART NO.	PAGE
BL02A-06-02-11-06	32	BL02A-06-05-18	36	BL02A-10-04-04A	42	BL02A-17-08	46
BL02A-06-02-12	32	BL02A-06-05-19-02	36	BL02A-10-04-04B	42	BL02A-17-09	46
BL02A-06-02-13	32	BL02A-06-05-19-06	36	BL02A-10-04-05	42	BL02A-17-10	46
BL02A-06-02-14-01	32	BL02A-06-05-19-07	36	BL02A-10-04-06	42	BL02A-17-11	46
BL02A-06-02-15	32	BL02A-08-18-33	56	BL02A-10-05	42	BL02A-17-12	46
BL02A-06-02-16-01	32	BL02A-08-28-01-02-02	56	BL02A-10-10-00A	42	BL02A-17-13	46
BL02A-06-03-01	33	BL02A-09-01	40,42	BL02A-10-10-00B	42	BL02A-17-13B	46
BL02A-06-03-02	33	BL02A-09-02	40,42	BL02A-10-10-01	42	BL02A-17-14	46
BL02A-06-03-11	33	BL02A-09-06	40,42	BL02A-10-10-02	42	BL02A-17-15	46
BL02A-06-04-01-02-00	34	BL02A-09-07	42	BL02A-10-10-03-00	42	BL02A-17-16	46
BL02A-06-04-02	34	BL02A-09-08	40,42	BL02A-11-02	40,42	BL02A-19-02-00	52
BL02A-06-04-03	34	BL02A-09-09-00A	42	BL02A-11-04	40	BL02A-19-03-03-02	52
BL02A-06-05-02	36	BL02A-09-09-00B	42	BL02A-13-01	43	BL02A-19-03-03-03	52
BL02A-06-05-03	36	BL02A-09-09-00C	40	BL02A-13-02	43	BL02A-19-04	52
BL02A-06-05-04	36	BL02A-09-09-00D	40	BL02A-13-03	43	BL02A-20-02-00	52
BL02A-06-05-06-00	36	BL02A-09-09-03	40	BL02A-13-04	43	BL02A-20-04	52
BL02A-06-05-06-01	36	BL02A-09-12	40,42	BL02A-13-05	43	BL02A-29-00	2,4
BL02A-06-05-06-02	36	BL02A-09-13	42	BL02A-13-06	43	BL02A-30-00	2,4
BL02A-06-05-07-00	36	BL02A-09-14-00	42	BL02A-14-04	44	BL02A-32	2,4
BL02A-06-05-07-01	36	BL02A-09-16	40,42	BL02A-14-06-00	44	BL02A-33	2,4
BL02A-06-05-07-02	36	BL02A-09-20	42	BL02A-14-08	44	BL02A-34	2,4
BL02A-06-05-08	36	BL02A-09-22-00	40,42	BL02A-15-00	52	BL02A-35	2,4
BL02A-06-05-09	36	BL02A-10-03	42	BL02A-16-00	52	BL02A-38-04	56
BL02A-06-05-10	36	BL02A-10-04-00A	42	BL02A-17-03	46	BL02A-38-05	56
BL02A-06-05-11-00	36	BL02A-10-04-00B	42	BL02A-17-05	46	BL02A-38-08	56
BL02A-06-05-12	36	BL02A-10-04-01-00	42	BL02A-17-06	46	BL02A-38-10	56
BL02A-06-05-13	36	BL02A-10-04-02	42	BL02A-17-07A	46	BL02A-38-14-04	56
BL02A-06-05-17	36	BL02A-10-04-03	42	BL02A-17-07B	46	BL02A-38-14-06-00	56

PART NO.	PAGE	PART NO.	PAGE	PART NO.	PAGE	PART NO.	PAGE
BL02A-38-14B-02	56	BL03-01-02-32	6,10	BL03-02-37-00	14	BL03-04-29	20
BL02A-38-14B-03	56	BL03-01-06-00	6	BL03-02-41	14	BL03-04-30	20
BL02A-38-14B-05A	56	BL03-01-08	6	BL03-03-02	18	BL03-05-01A	26
BL02A-38-14B-05B	56	BL03-01-09-00	6	BL03-03-06	18	BL03-05-01B	26
BL02A-38-19	56	BL03-01-10	6	BL03-03-09-00	18	BL03-05-01C	22
BL02A-38-23	56	BL03-01-11-00	6	BL03-03-10	18	BL03-05-02-00	22
BL02A-41	52	BL03-01-12	6,12	BL03-03-12	18	BL03-05-03-01	22,26
BL03-01-01-00	6	BL03-01-13	6,12	BL03-03-19-00	18	BL03-05-03-02	26
BL03-01-01-01	8	BL03-01-16	6	BL03-03-24	18	BL03-05-03-03	26
BL03-01-01-05	8	BL03-01-20	6	BL03-03-26	18	BL03-05-03-04	26
BL03-01-01-09	8	BL03-01-24	6	BL03-03-32-00	18	BL03-05-03-05	26
BL03-01-01-10	8	BL03-01-26	6	BL03-03-32-01-00	18	BL03-05-03-06	26
BL03-01-01-13	8	BL03-01-27	6	BL03-03-32-02	18	BL03-05-03-08	26
BL03-01-01-16	8	BL03-01-31	6	BL03-03-34	18	BL03-05-03-09	26
BL03-01-01-17	8	BL03-01-33A-00	6	BL03-03-35	18	BL03-05-03-11	26
BL03-01-01-18	8	BL03-01-34	6,12	BL03-03-36	18	BL03-05-03-14	26
BL03-01-01-19	8	BL03-01-38-02A-00	12	BL03-03-37	18	BL03-05-03-15	26
BL03-01-01-20	8	BL03-01-38-03A-00	12	BL03-04-01	20,50	BL03-05-03-16	26
BL03-01-01-21-00	8	BL03-01-38-04	12	BL03-04-08	20	BL03-05-03-19	26
BL03-01-02-00	6	BL03-02-05	14	BL03-04-09	20	BL03-05-03-20	26
BL03-01-02-09	10	BL03-02-09	14	BL03-04-10	20	BL03-05-03-21	26
BL03-01-02-16	10	BL03-02-12-00	14	BL03-04-11	20	BL03-05-04	22
BL03-01-02-18	10	BL03-02-14	14	BL03-04-13	20	BL03-05-08-02-00	27
BL03-01-02-21	10	BL03-02-15	14	BL03-04-15	20	BL03-05-08-05-04	27
BL03-01-02-23	10	BL03-02-17	14	BL03-04-22	20	BL03-05-08-05-05-00	27
BL03-01-02-24	10	BL03-02-18	14	BL03-04-25	20	BL03-05-08-05-07A	27
BL03-01-02-24A	10	BL03-02-18A	14	BL03-04-26	20	BL03-05-08-06	27
BL03-01-02-30	10	BL03-02-21	14	BL03-04-27	20	BL03-05-08-07	27

PART NO.	PAGE	PART NO.	PAGE	PART NO.	PAGE	PART NO.	PAGE
BL03-05-08-11A	27	BL03-06-01-13A-04	30	BL03-07-03	38	BL03-21-01-02	54
BL03-05-18	22	BL03-06-01-15	30	BL03-07-04-02	38	BL03-21-01-03	54
BL03-05-21	24,26	BL03-06-01-19-00	30	BL03-07-04-03B	38	BL03-21-01-05	54
BL03-05-23	24	BL03-06-02-00	28	BL03-07-07A	38	BL03-38-01-00	56
BL03-05-27	22	BL03-06-02-05	32	BL03-09-11	2,4	BL03-38-02-00	56
BL03-05-28-01	24	BL03-06-02-10-01	32	BL03-09-20	40	BL03-38-03	56
BL03-05-28-03	24	BL03-06-02-11-01	32	BL03-10-02-00	42	BL03-38-07	56
BL03-05-28-04	24	BL03-06-02-11-04	28,32	BL03-10-07	42	BL03-38-11	56
BL03-05-31	22	BL03-06-02-17	32	BL03-10-11	42	BL03-38-12	56
BL03-06-01-00	28	BL03-06-03-03	33	BL03-17-01-00	46	BL03-38-13A	56
BL03-06-01-01	30	BL03-06-03-04	33	BL03-17-02-00	46	BL03-38-14B-00A	56
BL03-06-01-04-00	30	BL03-06-03-05	33	BL03-17-30-00	46	BL03-38-14B-00B	56
BL03-06-01-04-07	30	BL03-06-03-07	33	BL03-17-30-02	46	BL03-38-14B-01-00	56
BL03-06-01-05-00	30	BL03-06-04-00	28	BL03-17-30-03	46	BL03-38-15	56
BL03-06-01-05-01-00	30	BL03-06-04-01-01	34	BL03-17-30-04	46	BL03-38-16A	56
BL03-06-01-05-02	30	BL03-06-04-04	34	BL03-17-30-05	46	BL03-38-16B	56
BL03-06-01-06-00	30	BL03-06-04-05	34	BL03-17-30-06	46	BL03-38-17	56
BL03-06-01-00 6-01	30	BL03-06-05-00	28	BL03-17-30-08	46	BL03-38-18	56
BL03-06-01-07-00	30	BL03-06-05-00	36	BL03-17-30-09	46	BL03-38-20	56
BL03-06-01-07-01	30	BL03-06-05-14	36	BL03-17-30-10	46	BL03-38-21	56
BL03-06-01-09	30,32	BL03-06-05-15	36	BL03-17-30-11	46	BL03-38-22A	56
BL03-06-01-10	30	BL03-06-05-16-01	36	BL03-17-30-12	46	BL03-38-22B	56
BL03-06-01-11	30	BL03-06-05-19-01	36	BL03-19-03-03-00	52	BL03-55B-10	42
BL03-06-01-13	30	BL03-06-05-19-03	36	BL03-19-03-03-01	52	BL04-06-03-00	28
BL03-06-01-13A-00	30	BL03-06-05-19-04	36	BL03-19-05-00	52	BL04-06-03-01-00	33
BL03-06-01-13A-01	30	BL03-06-05-19-05	36	BL03-20-05-00	52	BL04-06-03-02	33
BL03-06-01-13A-02	30	BL03-06-05-20	36	BL03-21-01-00	54	BL04-06-03-12	33
BL03-06-01-13A-03	30	BL03-06-06-00	28	BL03-21-01-01	54	BL04-21-02-03-00	54

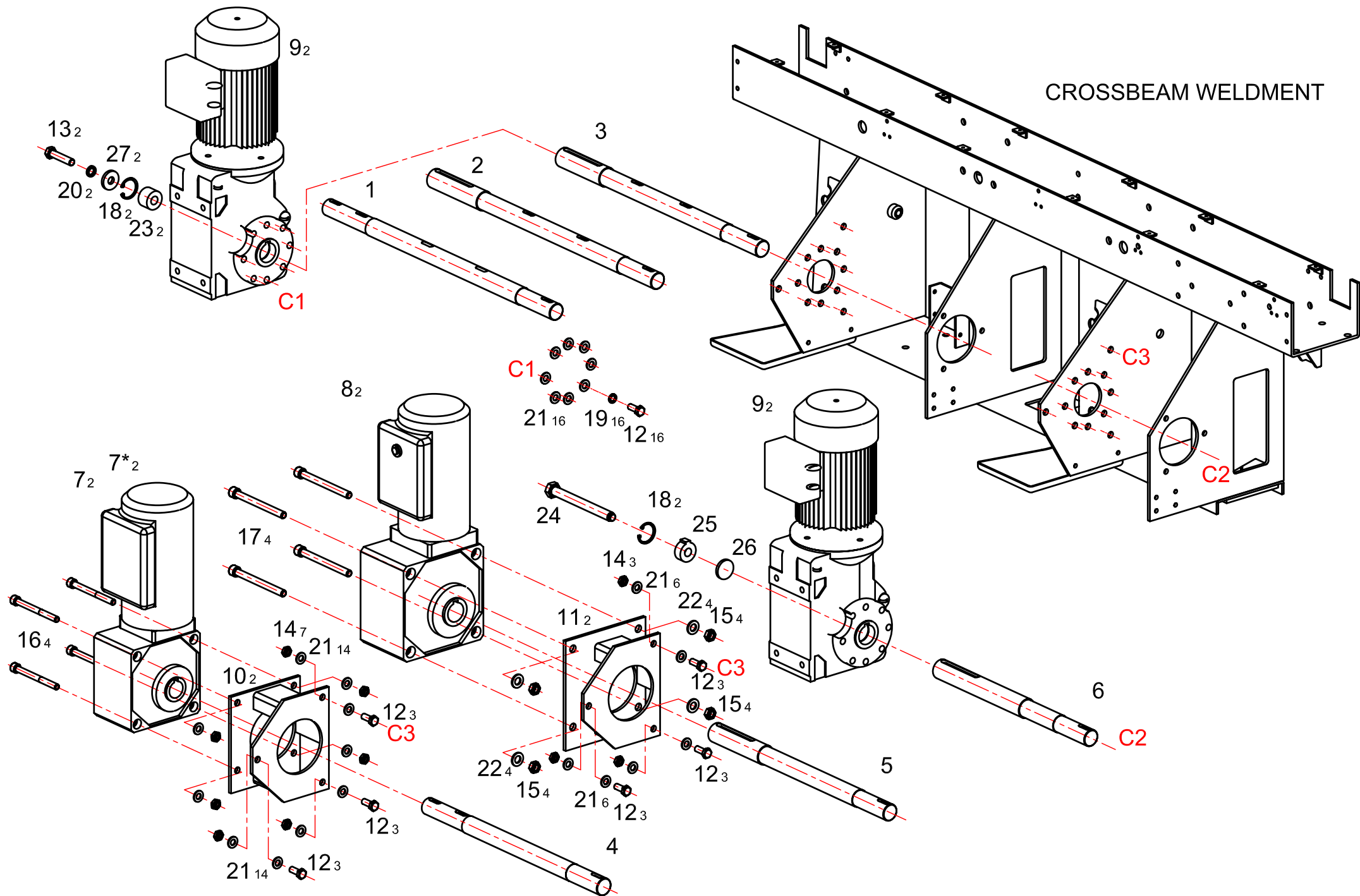
PART NO.	PAGE	PART NO.	PAGE	PART NO.	PAGE	PART NO.	PAGE
BL04-21-02-04	54	BL05-10-06-00A	42	BL05-18-02-01	50	BL05-18-08-07	50
BL04-21-02-05	54	BL05-10-06-00B	42	BL05-18-02-02	50	BL05-18-08-08	50
BL04-21-02A-00	54	BL05-10-09-00	42	BL05-18-02-03	50	BL05-18-08-09	50
BL04-21-02A-01	54	BL05-10-12	42	BL05-18-02-04-00L	50	BL05-18-09-01-00	48
BL04-21-02A-02	54	BL05-11-03-00	40	BL05-18-02-04-00R	50	BL05-18-09-02-00	48
BL04-21-02B-00	54	BL05-12-01	42	BL05-18-02-06	50	BL05-18-10-00L	48
BL04-21-02B-01	54	BL05-12-03-00	42	BL05-18-02-07	50	BL05-18-10-00R	48
BL04-21-02B-02	54	BL05-14-01L	44	BL05-18-02-08	50	BL05-18-11	48
BL05-01-07-00	6,12	BL05-14-01R	44	BL05-18-03-00AL	48	BL05-19-01-00	52
BL05-01-07-02-00	2,4	BL05-14-02L	44	BL05-18-03-00AR	48	BL05-19-03-00	52
BL05-01-35C	6	BL05-14-02R	44	BL05-18-03-00BL	48	BL05-19-03-01	52
BL05-01-38-00	6	BL05-14-03	44	BL05-18-03-00BR	48	BL05-20-01-00	52
BL05-01-38-01B	12	BL05-14-03A	44	BL05-18-04	48	BL05-20-03-00	52
BL05-01-38-05A-00	6,12	BL05-14-05L	44	BL05-18-05L	48	BL05-20-03-01	52
BL05-07-01	38	BL05-14-05R	44	BL05-18-05R	48	BL05-21-01-01-00L	54
BL05-07-02	38	BL05-14-07-00AL	44	BL05-18-06-00	48	BL05-21-01-01-00R	54
BL05-07-08-00	38	BL05-14-07-00AR	44	BL05-18-07-00	48	BL05-21-01-02-00	54
BL05-08-06-03	50	BL05-14-07-00BL	44	BL05-18-07-01	50	BL05-21-03-00L	54
BL05-08-06-07	50	BL05-14-07-00BR	44	BL05-18-07-02	50	BL05-21-03-00R	54
BL05-09-16A	42	BL05-18-01-00L	48	BL05-18-07-03	50	BL05-21-03-01-00A	54
BL05-09-20A	40	BL05-18-01-00R	48	BL05-18-07-04	50	BL05-21-03-02-00A	54
BL05-09-21-00	40	BL05-18-01-01-00L	50	BL05-18-08-00	48	BL05-21-03-02-01-00A	54
BL05-09-21-03	40	BL05-18-01-01-00R	50	BL05-18-08-01	50	BL05-21-03-02-02-00A	54
BL05-09-23	40	BL05-18-01-02-00	50	BL05-18-08-02	50	BL05-21-03-05	54
BL05-09-24	40	BL05-18-01-02-01	50	BL05-18-08-03	50	BL05-21-03-06-00	54
BL05-09-25	40	BL05-18-01-02-02	50	BL05-18-08-04	50	BL05-21-03-06-01-00	54
BL05-09-26	40	BL05-18-02-00L	48	BL05-18-08-05	50	BL05-21-03-06-03A	54
BL05-10-01	42	BL05-18-02-00R	48	BL05-18-08-06	50	BL05-21-03-06-04	54

PART NO.	PAGE	PART NO.	PAGE	PART NO.	PAGE	PART NO.	PAGE
BL05-21-03-06-05	54	CEBL05-38-12	56	GB1096-79 3X15	56	GB2673-86 M8X40	2,4,52
BL05-21-03-07	54	CEBL05-38-13	56	GB1096-79 5X25	50	GB272-1993 UC206	6,12
BL05-21-03-09	54	CEBL05B-02-01-00	2,4	GB1096-79 5X30	48	GB276-89 201	54
BL05-21-03-09A	54	CEBL05B-02-02-00	2,4	GB1096-79 5X35	56	GB278-89 103	50
BL05-21-05-01-00	54	CEBL05B-02-03-00	2,4	GB1096-79 5X40	50	GB278-89 104	50
BL05-21-05-02	54	CEBL05B-02-04-00	2,4	GB1096-79 5X50	56	GB278-89 202	30,50
BL05-21-05-03-00	54	CEBL05B-02-05-01	2,4	GB1096-79 6X25	48	GB278-89 203	50
BL05-27-00	2,4	CEBL05B-02-05-02-00	2,4	GB1096-79 6X40	56	GB278-89 204	43,48,50
BL05-28-00	2,4	CEBL05B-02-06	2,4	GB1096-79 10X8X100	6,12	GB297-84 2007105E	8
BL05-31	2,4	CEBL05B-02-07	2,4	GB1096-79 8X7X28	6,12	GB297-84 2007109E	8
BL05-40-01	52	CEBL05B-02-08	2,4	GB1152-89 M10X1	43	GB5782-86 M10X100	10
BL05-40-02-00	52	CEBL05B-02-10-00	2,4	GB1152-89 M6	6,8,14, 22,40,	GB5782-86 M10X110	18
BLB001-06	8,10, 24,27, 50	CEBL05B-02-11-00	2,4		42	GB5782-86 M10X40	12,14,26
		CEBL05B-02-12-00	2,4	GB117-86 4X11	50	GB5782-86 M10X45	6,12
BLB001-08	6,12	CEBL05B-02-13-00	2,4	GB124-74 70X2965	28	GB5782-86 M10X50	2,4,18, 22
BLB001-10	22	CEBL05B-02-14-00	2,4	GB227-89 80102	8	GB5782-86 M10X55	18,22,26
BLB001-12	50,56	CEBL05B-02-15-00	2,4	GB2673-86 M10X20	43	GB5782-86 M10X60	18,20
CEBL05-01-02-01-00	2,4	CEBL05B-07-04-01	38	GB2673-86 M10X25	44	GB5782-86 M10X70	22
CEBL05-01-02-02	2,4	CEBL05B-07-04-02A	38	GB2673-86 M10X60	46	GB5782-86 M12X50	8,18
CEBL05-01-02-03	2,4,27,	CEBL05B-07-04-02B	38	GB2673-86 M6X12	40	GB5782-86 M12X55	22
CEBL05-01-02-04	2,4	CEBL05B-07-04-03	38	GB2673-86 M6X16	2,4,52	GB5782-86 M12X60	8
CEBL05-01-03-01-00	2,4	CEBL05B-07-04-04	38	GB2673-86 M6X20	52	GB5782-86 M12X65	12
CEBL05-21-04-02-00	54	CF 10K	6,10	GB2673-86 M6X30	30	GB5782-86 M4X40	36
CEBL05-21-04A-00	54	CF 6	36	GB2673-86 M6X40	16	GB5782-86 M6X20	2,4
CEBL05-21-04A-01-00	54	CF 8	26	GB2673-86 M6X20	40,52,56	GB5782-86 M6X25	12
CEBL05-21-04B-00	54	DK31.75X38.1X25.4	30	GB2673-86 M8X20	2,4,48, 56	GB5782-86 M6X40	16
CEBL05-21-04B-01-00	54	ERS 5/8"	20	GB2673-86 M8X25		GB5782-86 M6X45	2,4,14,16
		GB/T12-88 M8X15	54				

PART NO.	PAGE	PART NO.	PAGE	PART NO.	PAGE	PART NO.	PAGE
GB5782-86 M6X75	14	GB5783-86 M6X30	30	GB6184-86 M10	46,50,52	GB70-85 M5X12	56
GB5782-86 M6X95	14	GB5783-86 M8X16	26,36	GB6184-86 M12	2,4,6,8,	GB70-85 M5X16	27,30
GB5782-86 M8X110	40,42	GB5783-86 M8X20	2,4,6,38,		12,22,36,	GB70-85 M5X20	40,42
GB5782-86 M8X25	10,12,18		42,52,54,		42,50,54,	GB70-85 M6X20	30,48
GB5782-86 M8X30	54		56		56	GB70-85 M6X30	20
GB5782-86 M8X35	18	GB5783-86 M8X25	2,4,6,14,	GB6184-86 M14	8	GB70-85 M8X25	20,48
GB5782-86 M8X40	54,56		46,48,52,	GB6184-86 M16	20,22	GB70-85 M8X30	48
GB5782-86 M8X50	6,33,54		54	GB6184-86 M4	36	GB70-85 M8X45	16
GB5782-86 M8X55	54	GB5783-86 M8X30	44	GB6184-86 M5	6,12,26,	GB77-85 M6X10	48
GB5782-86 M8X60	10	GB6170-86 M10	14,18,20,		32	GB77-85 M6X12	48
GB5782-86 M8X65	33,54		22,26,50	GB6184-86 M6	2,4,6,10,	GB77-85 M6X25	32
GB5782-86 M8X70	2,4	GB6170-86 M10L	18,22,26		12,14,16,	GB77-85 M6X45	22
GB5782-86 M8X75	54	GB6170-86 M12	18,46		20,24,26,	GB77-85 M8X10	20,50,56
GB5782-86 M8X80	18,33,54	GB6170-86 M12L	18		27,30,32,	GB77-85 M8X20	26
GB5783-86 M10X20	40	GB6170-86 M16	18		34,36,38,	GB78-85 M6X12	50
GB5783-86 M10X25	2,4,44,	GB6170-86 M4	6,8,10,12,		,50,52,56	GB78-85 M8X12	33
	50,52		14,22,32	GB6184-86 M8	2,4,6,10,	GB78-85 M8X8	10
GB5783-86 M10X35	14,20,22,	GB6170-86 M5	32,38		12,14,18,	GB80-85 M8X8	56
	26	GB6170-86 M5L	32		20,24,26,	GB818-85 M4X16	10
GB5783-86 M12X45	42	GB6170-86 M6	22,26		33,38,40,	GB818-85 M4X25	14
GB5783-86 M4X10	32	GB6170-86 M6L	26		42,44,46,	GB818-85 M4X30	22
GB5783-86 M5X25	32	GB6170-86 M8	2,4,6,10,		48,52,54,	GB818-85 M4X65	6,12
GB5783-86 M6X12	14,32		14,18,20,		56	GB818-85 M5X12	26
GB5783-86 M6X16	6,14,38		26,33,36,	GB68-85 M3X8	54	GB818-85 M5X16	6,12,38
GB5783-86 M6X20	14,34,56		50	GB70-85 M10X20	40	GB818-85 M6X16	38
GB5783-86 M6X25	6,14,26,	GB6184-86 M10	2,4,6,10,	GB70-85 M10X30	40	GB819-85 M3X16	27
	30,34,36,		14,20,22,	GB70-85 M12X130	6,12	GB819-85 M6X16	28
	40		26,40,44,	GB70-85 M5X10	27	GB819-85 M8X20	56

PART NO.	PAGE	PART NO.	PAGE	PART NO.	PAGE	PART NO.	PAGE
GB821-88 M6X25	26	GB894.1-86 9	30,32	GB97.1-85 6	2,4,6,10,	SI 5F	32
GB821-88 M6X40	26	GB896-85 15	42		12,30,36,	SI 5F L.H.	32
GB845-85 M4X10	38	GB896-85 16	18,40		38,40,48,	SI 6F	26
GB848-85 10	22,26	GB91-86 4X28	46		52,56	SI 6F L.H.	26
GB860-87 4	14	GB93-87 10	44,46,50	GB97.1-85 8	2,4,6,10,	SI 8F	14,36
GB867-86 3X15	6,12	GB93-87 12	8,42,46,		12,18,20,	SOLENOID-50	10
GB867-86 5X16	18		54		33,38,40,	SOLENOID-60	10
GB869-86 3X8	52	GB93-87 16	46		42,44,46,	SSH-0374-1	56
GB873-86 5X15	36	GB93-87 4	22		48,50,52,	SSH-0374-2	56
GB876-86 4X13	40,42	GB93-87 5	6,12,30,		54,56	WCH2-L	56
GB879-86 2X16	10,34		38	HK 0808	30	WCH2-R	56
GB879-86 2X20	43	GB93-87 6	6,14	HK 31.75X38.1X25.4	30	Z-15G-B	6,12
GB879-86 3X20	8,10,46	GB93-87 8	6,42,46,			Z-15GD-B	14,22
GB879-86 3X24	26		54,56	NTA2031	30	φ42xφ10x3	54
GB879-86 4X24	32,42,56	GB9485-88 M16X1.5	46	R14	20,22		
GB879-86 4X35	8	GB96-85 10	2,4	SA 10F	14,18,22,		
GB879-86 5X14	27	GB97.1-85 10	2,4,6,10,		26		
GB879-86 5X22	36		12,14,18,	SA 10F L.H.	18,22,26		
GB879-86 5X30	36		20,44,46,	SA 10K	18		
GB879-86 5X40	20		50,52	SA 12F	18		
GB879-86 8X45	30	GB97.1-85 12	6,12,18,	SA 12F L.H.	18		
GB893.1-86 35	30,36,50		22,36,50,	SA 8F	33		
GB893.1-86 40	20,22		54,56	SAE AMS 7205E 1/8"	56		
GB893.1-86 47	50	GB97.1-85 16	10,46	SAE AMS 7205E 3/16"	56		
GB893.1-86 55	30	GB97.1-85 4	6,10,12,	SCP 10	14		
GB894.1-86 12	42,54		36	SCP 16	22		
GB894.1-86 16	36	GB97.1-85 5	6,12,14,	SCP 6	34		
GB894.1-86 6	32		18,30,38	SI 10F	18		

APPENDIX. A-1 FRONT END DRIVER ASS'Y

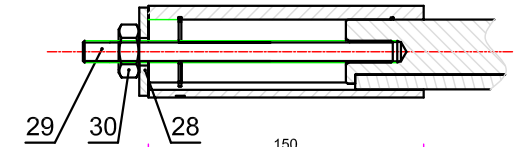


ITEM	PART NO.	DESCRIPTION
1	BL05-01-35B	TABLE DRIVE SHAFT
2	BL05-01-35C	TABLE DRIVE SHAFT
3	BL05-01-35D	TABLE DRIVE SHAFT
4	BL05-01-38-01A	SWEEP DRIVE SHAFT
5	BL05-01-38-01B	SWEEP DRIVE SHAFT
6	BL05-01-38-01C	SWEEP DRIVE SHAFT
7	RNYM02-1330-SG-B-120	MOTOR & GEARBOX(SUMITOMO)
7*	RNYM02-1330-SG-B-150	MOTOR & GEARBOX(SUMITOMO)
8	RNYM02-1430-SG-B-120	MOTOR & GEARBOX(SUMITOMO)
9	KA47EM80N4/B/HR	MOTOR & GEARBOX(SEW)
10	BL05-01-38-05-00	GEARBOX BRACKET
11	BL05-01-38-05A-00	GEARBOX BRACKET
12	GB5783-86 M10X25	HEX CAP SCREW
13	GB5783-86 M12X55	HEX CAP SCREW
14	GB6184-86 M10	LOCKNUT
15	GB6184-86 M12	LOCKNUT
16	GB70-85 M10X110	SOCKET HEAD CAP SCREW
17	GB70-85 M12X130	SOCKET HEAD CAP SCREW
18	GB893.1-86 35	RETAINING RING
19	GB93-87 10	SPRING WASHER
20	GB93-87 12	SPRING WASHER
21	GB97.1-85 10	FLAT WASHER
22	GB97.1-85 12	FLAT WASHER
23	BL05-01-50-01	SPACER
24	BL05-01-50-02	REMOVAL BOLT
25	BL05-01-50-03	REMOVAL NUT

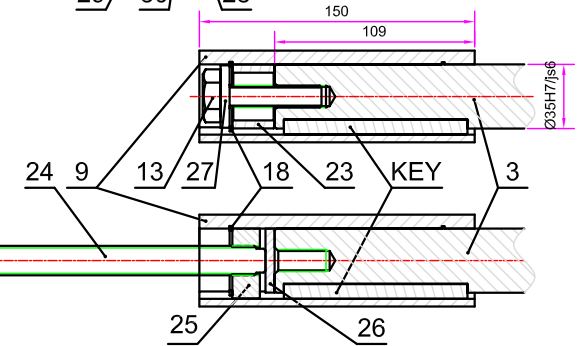
ITEM	PART NO.	DESCRIPTION
26	BL05-01-50-04	REMOVAL WASHER
27	φ39Xφ13X5	WASHER
28	BL05-01-50-05	INSTALL WASHER
29	BL05-01-50-06	INSTALL SCREW PIN
30	GB6170-86 M12	NUT

HOW TO INSTALL AND REMOVE THE SHAFT

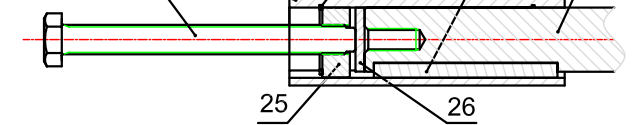
A、INSTALLING



B、INSTALLED



C、REMOVAL



MOTOR & GEARBOX	7,7*	8	9
TABLE DRIVE SHAFT	BL05-01-35B	BL05-01-35C	BL05-01-35D
SWEEP DRIVE SHAFT	BL05-01-38-01A	BL05-01-38-01B	BL05-01-38-01C
GEARBOX BRACKET	BL05-01-38-05-00	BL05-01-38-05A-00	NULL
KEY	10X8X28 2 PICS	10X8X100 1 PICS	10X8X100 1 PICS

MOTOR & GEARBOX	POWER	CYCLE
RNYM02-1330-SG-B-120	0.2 KW	50 Hz
RNYM02-1330-SG-B-150	0.2 KW	60 Hz
RNYM02-1430-SG-B-120	0.2 KW	50 Hz
KA47EM80N4/B/HR	0.3 KW	60 Hz

