

VIA BOWLING

VIA Power Lift Part Manual

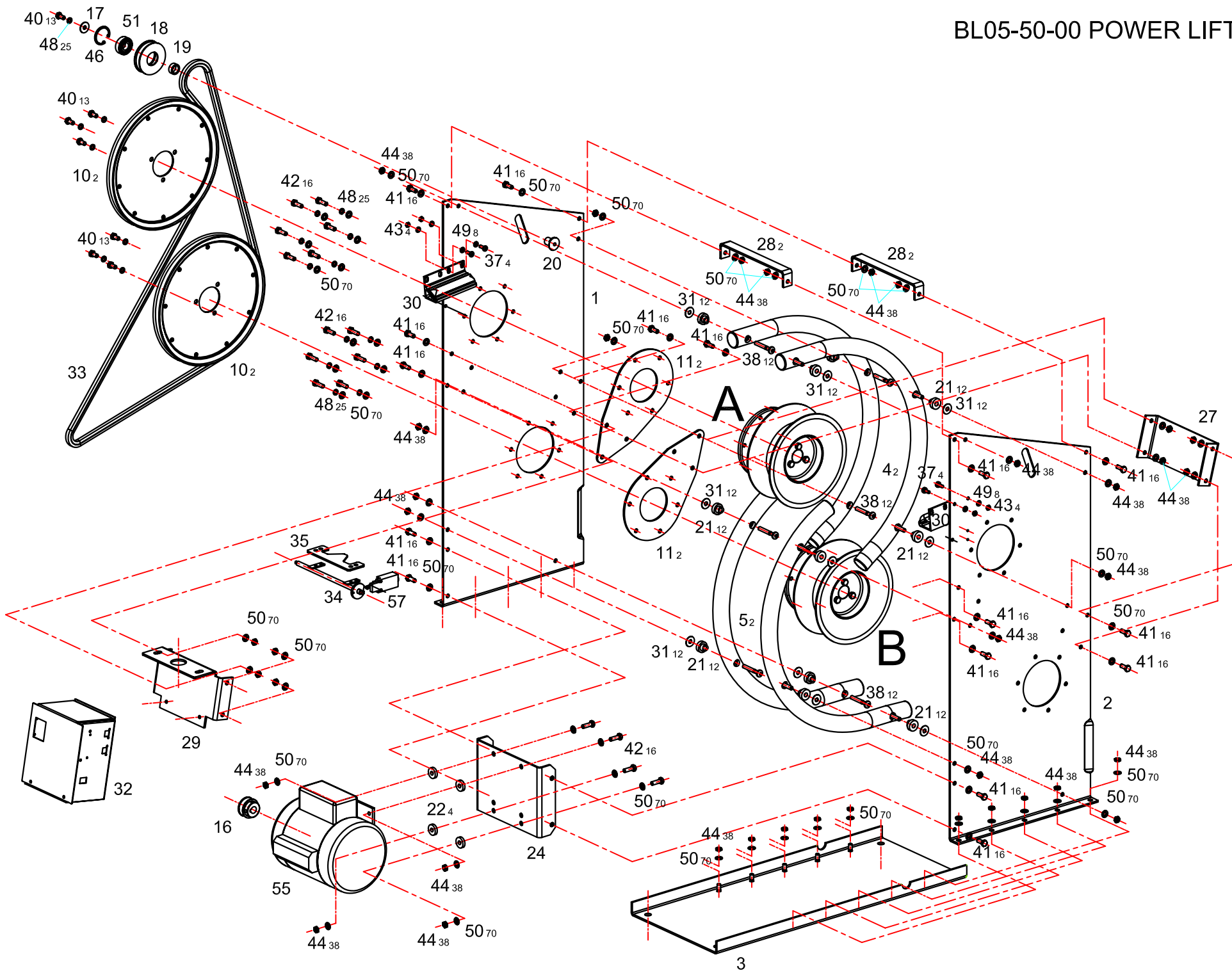


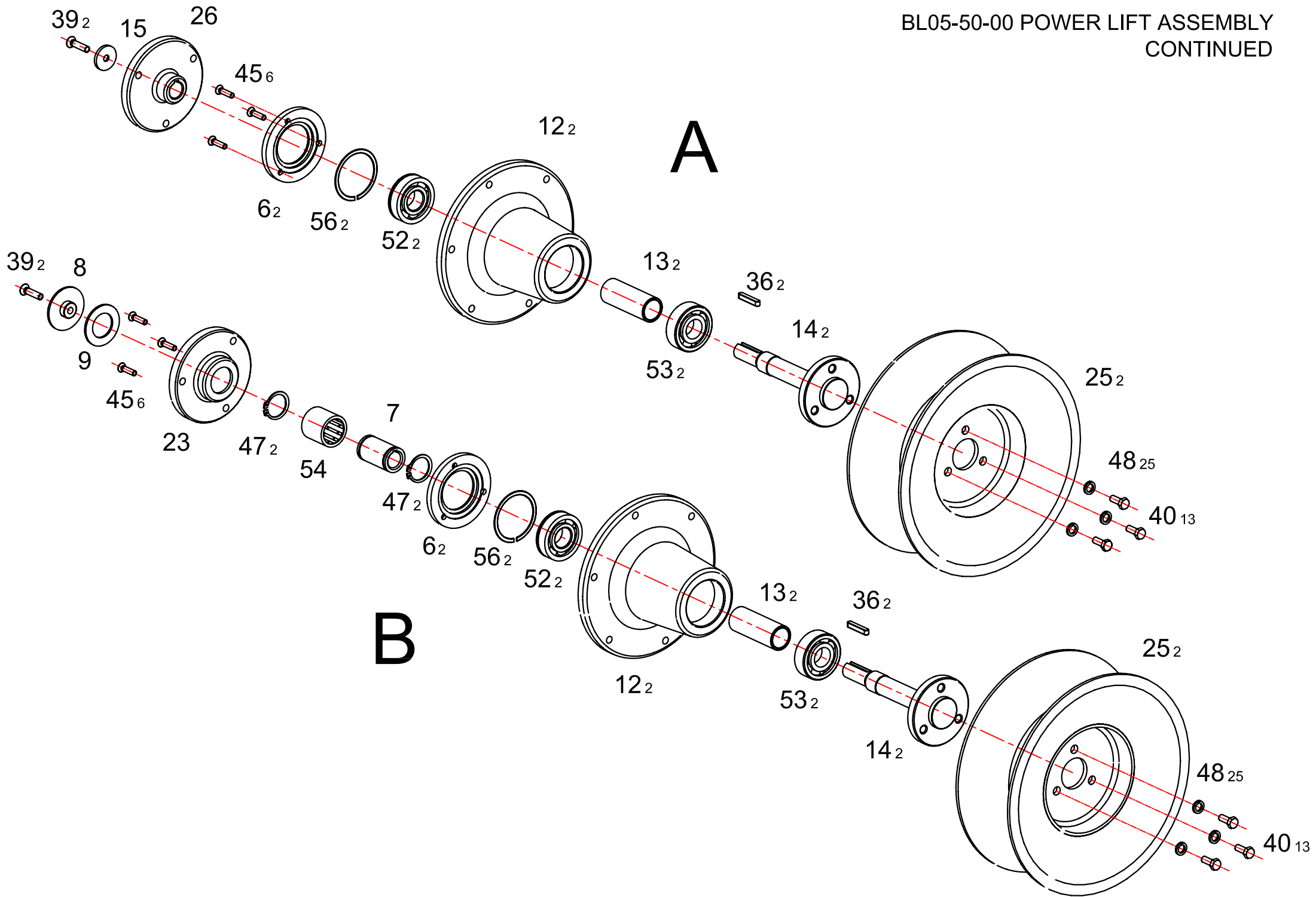
VIA BOWLING PRODUCTS

File No.: M200512-01

COPYRIGHT 2005, VIA BOWLING PRODUCTS

BL05-50-00 POWER LIFT ASSEMBLY

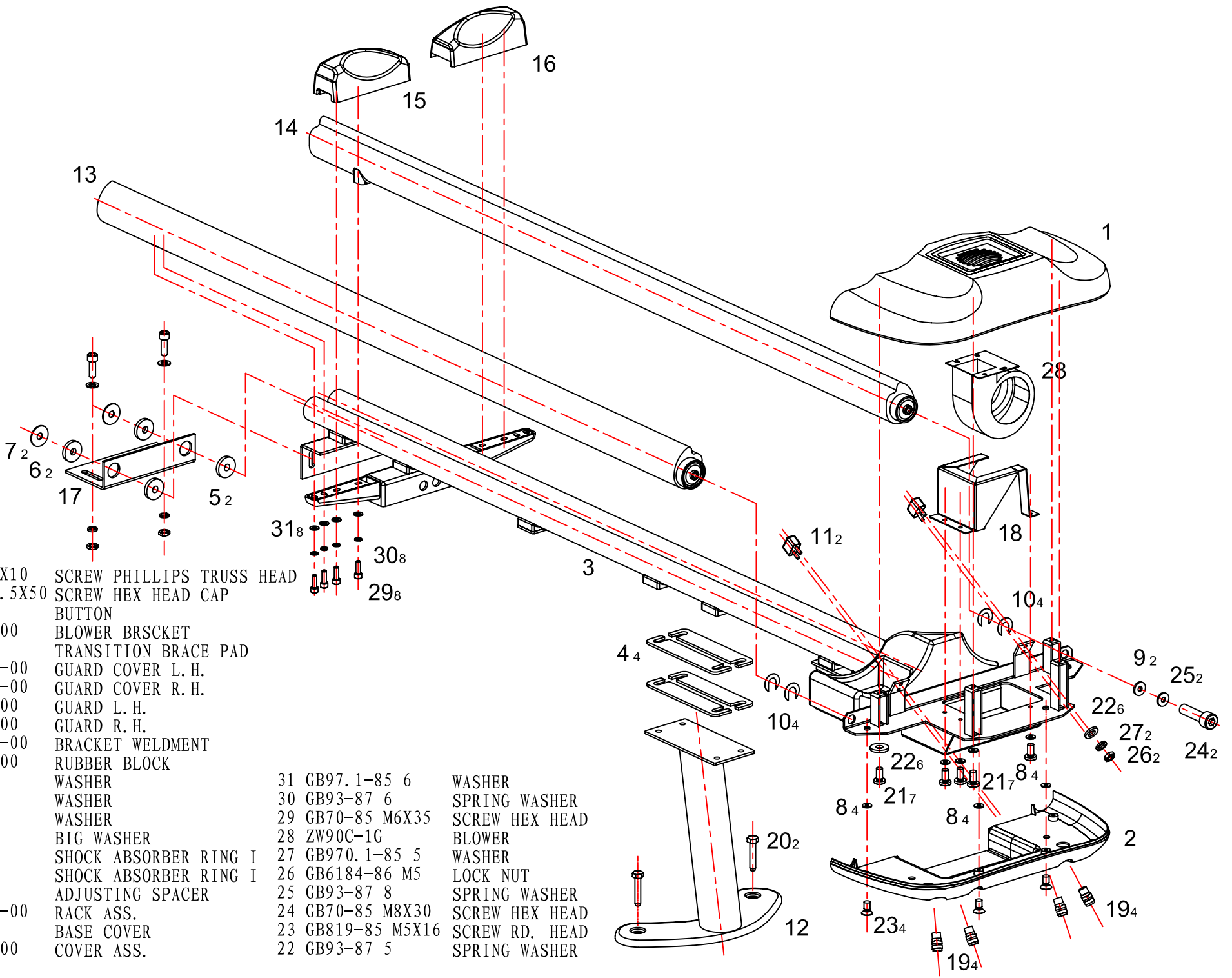




ITEM	PART NO.	DESCRIPTION
1	BL03-50A-01	FRAME WELDMENT I
2	BL03-50A-02	FRAME WELDMENT I
3	BL03-50A-03-00	BASE WELDMENT
4	BL03-50A-04-00	UPPER TRACK
5	BL03-50A-05-00	LOWER TRACK
6	BL04-50-01	CAM HUB CAP
7	BL04-50-02	BUSHING
8	BL04-50-03	COLLAR
9	BL04-50-04	LINER
10	BL04-50-06-00	PULLER-RATCHET
11	BL04-50-07	SHIELD
12	BL04-50-08	BEARING SEAT
13	BL04-50-09	SPACER
14	BL04-50-10	SHAFT-BALL LIFT
15	BL04-50-12	COLLAR
16	BL04-50-14	PULLEY-MOTOR
17	BL04-50-15	RETAINING RING
18	BL04-50-16	BELT TIGHTENER PULLEY
19	BL04-50-17	SPACER
20	BL04-50-18	BELT TIGHTENER ARM
21	BL04-50-19	SPACER
22	BL04-50-34	BUMPER
23	BL05-50-01	LOWER SHAFT SEAT
24	BL05-50-02-00	MOTOR BRACKET SEAT
25	BL05-50-03-00	V-WHEEL
26	BL05-50-04	UPPER SHAFT SEAT
27	BL05-50-05	SUPPORT
28	BL05-50-06	LINK-LEG
29	BL05-50-07	PLATE FRONT
30	BL05-50-08-00	TRANSITION PAD ASS.
31	BL05-50-09	ADJUSTING WASHER
32	BL05-63-00	CONTRONL BOX

ITEM	PART NO.	DESCRIPTION
33	AA2311 (A91")	BELT DOUBLE"V"
34	CEBL05-50A-10-00	LINK ASS.
35	CEBL05-50A-11	PANEL
36	GB1096-79 A5X30	KEY
37	GB2672-86 M6X16	FLAT CROSS CAP SCREW
38	GB2672-86 M8X55	FLAT CROSS CAP SCREW
39	GB2673-86 M6X25	FLAT SOCKET CAP SCREW
40	GB5783-86 M8X16	HEX CAP SCREW
41	GB5783-86 M8X20	HEX CAP SCREW
42	GB5783-86 M8X25	HEX CAP SCREW
43	GB6184-86 M6	LOCK NUT
44	GB6184-86 M8	LOCK NUT
45	GB2673-86 M5X20	FLAT SOCKET CAP SCREW
46	GB893.2-86 40	RETAINING RING
47	GB894.1-86 25	RETAINING RING
48	GB93-87 8	SPRING WASHER
49	GB97.1-85 6	WASHER
50	GB97.1-85 8	WASHER
51	GB/T272-93 6203	BEARING
52	GB/T272-93 6204	BEARING
53	GB/T272-93 6204-2RSN	BEARING
54	HFL2530	CLUTCH AND BEARING
55	SSH-0376	POWER LIFT MOTOR
56	WRE 47	OUTSIDE CLAMP RING
57	TV12H236-11z	SWITCH
58		
59		
60		
61		
62		
63		
63		

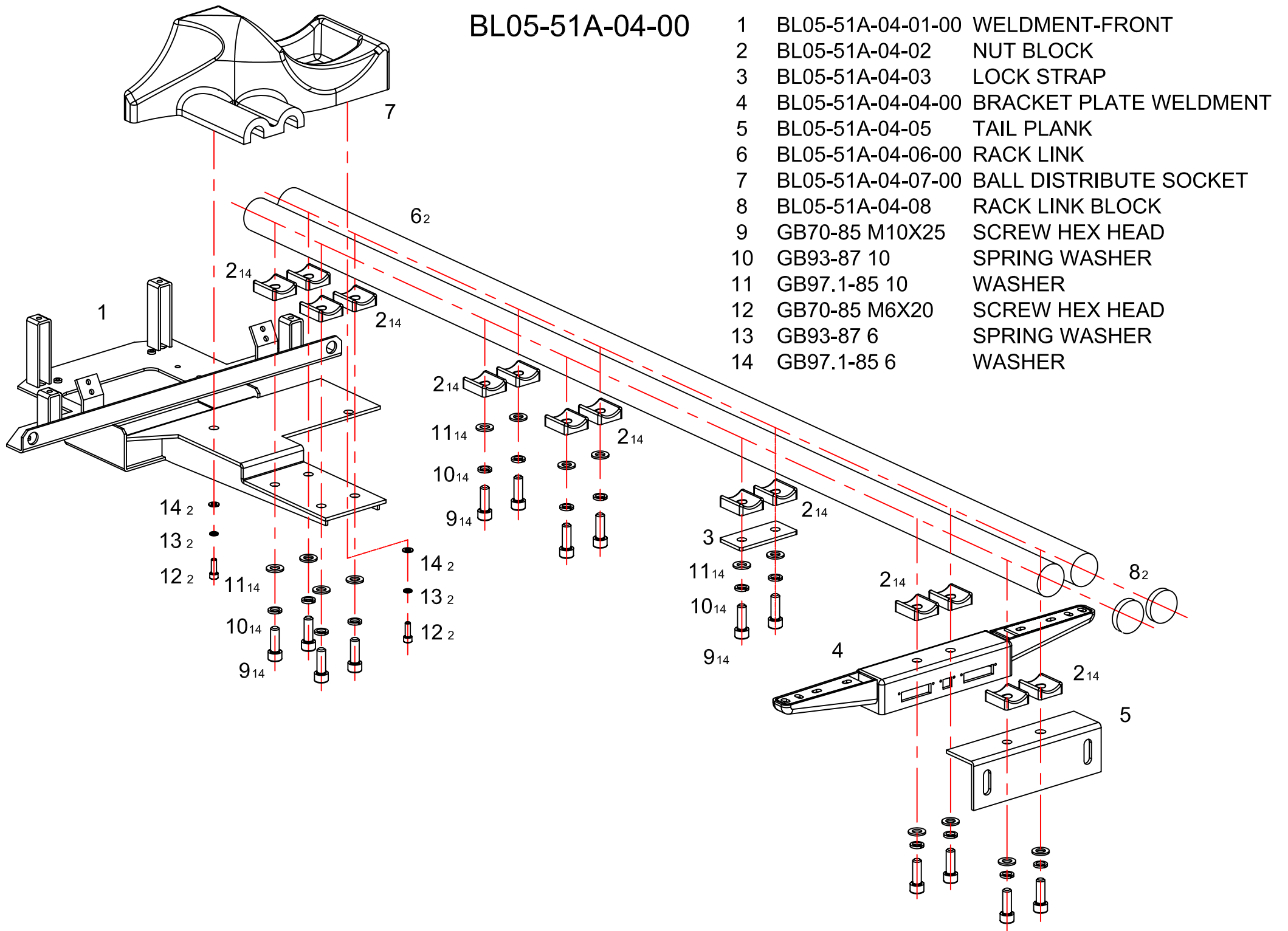




- 21 GB818-85 M5X10 SCREW PHILLIPS TRUSS HEAD
- 20 GB5285-85 9.5X50 SCREW HEX HEAD CAP
- 19 AM6-M1 BUTTON
- 18 BL05-51-20-00 BLOWER BRACKET
- 17 BL05-51A-19 TRANSITION BRACE PAD
- 16 BL05-51A-18-00 GUARD COVER L. H.
- 15 BL05-51A-17-00 GUARD COVER R. H.
- 14 BL05-51-15-00 GUARD L. H.
- 13 BL05-51-14-00 GUARD R. H.
- 12 BL05-51A-13-00 BRACKET WELDMENT
- 11 BL04-51-12-00 RUBBER BLOCK
- 10 BL05-51-11 WASHER
- 9 BL05-51-10 WASHER
- 8 BL04-51-09 WASHER
- 7 BL04-51-08 BIG WASHER
- 6 BL04-51-07 SHOCK ABSORBER RING I
- 5 BL04-51-06 SHOCK ABSORBER RING I
- 4 BL05-51-05 ADJUSTING SPACER
- 3 BL05-51A-04-00 RACK ASS.
- 2 BL05-51-03 BASE COVER
- 1 BL05-51-02-00 COVER ASS.

- 31 GB97.1-85 6 WASHER
- 30 GB93-87 6 SPRING WASHER
- 29 GB70-85 M6X35 SCREW HEX HEAD
- 28 ZW90C-1G BLOWER
- 27 GB970.1-85 5 WASHER
- 26 GB6184-86 M5 LOCK NUT
- 25 GB93-87 8 SPRING WASHER
- 24 GB70-85 M8X30 SCREW HEX HEAD
- 23 GB819-85 M5X16 SCREW RD. HEAD
- 22 GB93-87 5 SPRING WASHER

BL05-51A-04-00



- | | | |
|----|-------------------|------------------------|
| 1 | BL05-51A-04-01-00 | WELDMENT-FRONT |
| 2 | BL05-51A-04-02 | NUT BLOCK |
| 3 | BL05-51A-04-03 | LOCK STRAP |
| 4 | BL05-51A-04-04-00 | BRACKET PLATE WELDMENT |
| 5 | BL05-51A-04-05 | TAIL PLANK |
| 6 | BL05-51A-04-06-00 | RACK LINK |
| 7 | BL05-51A-04-07-00 | BALL DISTRIBUTE SOCKET |
| 8 | BL05-51A-04-08 | RACK LINK BLOCK |
| 9 | GB70-85 M10X25 | SCREW HEX HEAD |
| 10 | GB93-87 10 | SPRING WASHER |
| 11 | GB97.1-85 10 | WASHER |
| 12 | GB70-85 M6X20 | SCREW HEX HEAD |
| 13 | GB93-87 6 | SPRING WASHER |
| 14 | GB97.1-85 6 | WASHER |