



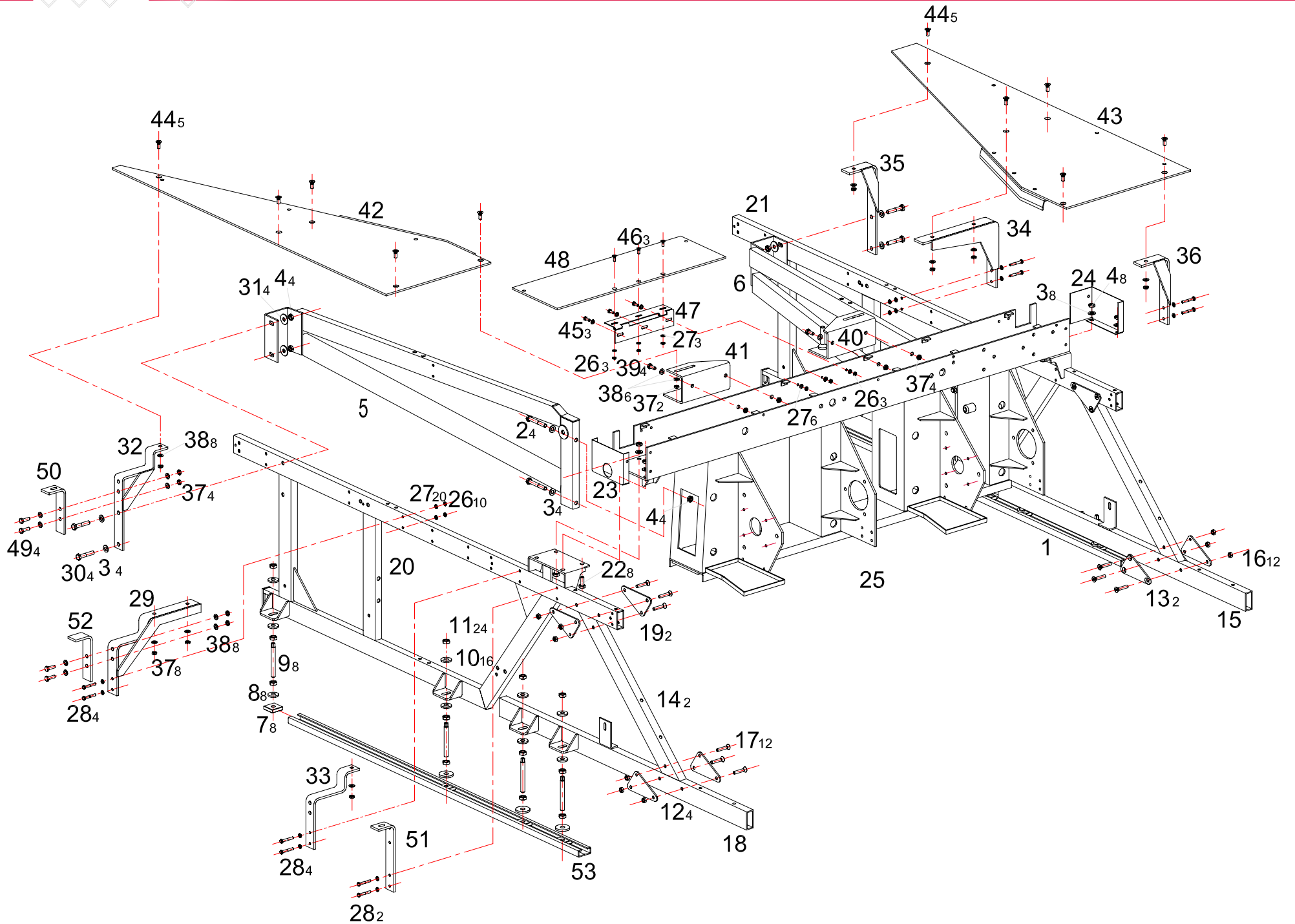
**VIA** BOWLING PRODUCTS

# Mc2 PINSPOTTER

PART LIST (PBL)

2009.07

FRONT END FRAME & PLATFORM ASSEMBLY R.H.....	2	KICKBACK PLATE ASSEMBLY BALL EXIT SIDE	
FRONT END FRAME & PLATFORM ASSEMBLY L.H. ....	4	BL04-09(11*)-00 .....	40
FRONT END DRIVE ASSEMBLY BL05-01-00 .....	6	KICKBACK PLATE ASSEMBLY SIDE OPPOSITE BALL EXIT	
TABLE DRIVE ASSEMBLY BL03-01-01-00 .....	8	BL04-10(12*)-00 .....	42
SHUTTLE OPERATOR & SOLENOID ASSEMBLY		ROLLER ASSEMBLY BL02A-13-00 .....	43
BL03-01-02-00 .....	10	BOUNCE PLATE ASSEMBLY BL03-14-00L(R*) .....	44
SWEEP DRIVE & CAM ASSEMBLY BL05-01-38-00 .....	12	CUSHION, SHOCK ABSORBER & CURTAIN ASSEMBLY	
BIN ASSEMBLY BL03-02-00 .....	14	BL03-17-00L(R*) .....	46
SHUTTLE ASSEMBLY BL03-02-01-00 .....	16	BACK END ASSEMBLY BL03-19(20*)-00 .....	48
SWEEP ASSEMBLY BL03-03-00 .....	18	PIN ELEVATOR WHELL ASSEMBLY BL05-21-00L(R*) .....	50
YOKE AND SPOTTING CUP ASSEMBLY BL03-04-00 .....	20	BACK END MOTOR MOUNT BRACKET ASSEMBLY	
SPOT AND RESPOT CONTROL ASSEMBLY BL03-05-00 .....	22	BL03-38-00L(R*) .....	52
TABLE WIREWAY ASSEMBLY BL03-05-00(CONTINUED) .....	24	BALL LIFT ASSEMBLY BL03-08-10-00 .....	54
TABLE ASSEMBLY BL05-05-00(CONTINUED) .....	26	TRACK RAIL ASSEMBLY BL03-08-01-00 .....	56
CELL ASSEMBLY(-RESPOT) BL03-05-08-00 .....	27	LIGHT-BALL-SENSOR ASSEMBLY BL03-08-18-00 .....	58
DISTRIBUTOR ASSEMBLY BL03-06-00 .....	28	BELT TIGHTNER ASSEMBLY BL03-08-28-00 .....	59
DISTRIBUTOR SUPPORT ASSEMBLY BL03-06-01-00 .....	30	BELT TENSIONER ASSEMBLY BL03-08-29-00 .....	60
TUBE ASSEMBLY BL03-06-02-00 .....	32	RATCHET ASSEMBLY BL03-08-17-00.....	62
SUPPORT ASSEMBLY BL04-06-03-00 .....	33	LIGHT-BALL-SENSOR ASSEMBLY BL03-08-30-00 .....	63
TRIP STOP SUPPORT ASSEMBLY BL03-06-04-00 .....	34	INDEX .....	64
DISTRIBUTOR TRANSMISSION ASSEMBLY BL03-06-05-00 .....	36		
SWITCH BOX & CABLE SUPPORT ASSEMBLY		ITEM WITH "*" NOT SHOWN IN THIS MANUAL	
CEBL05B-07-00 .....	38		

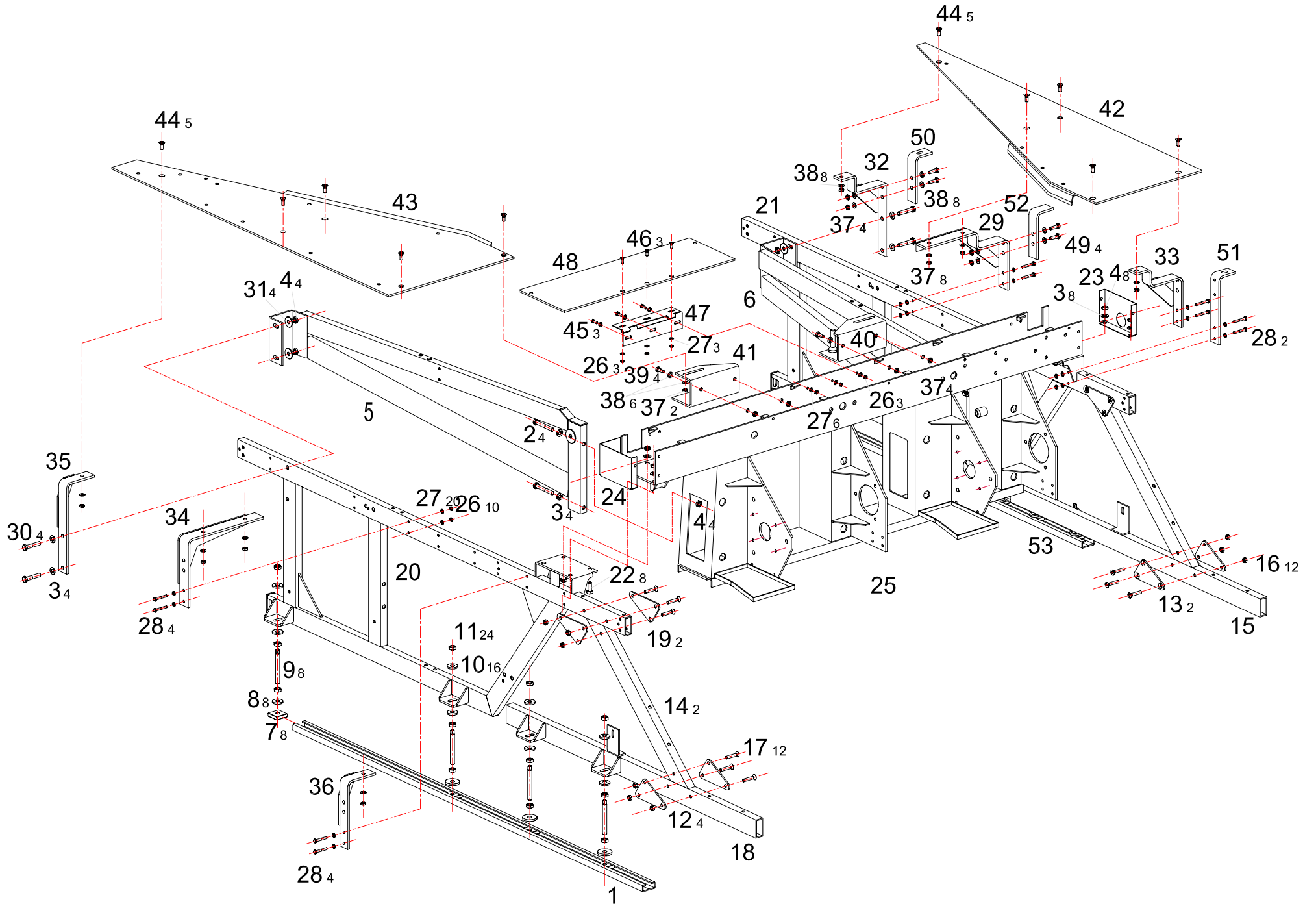


ITEM	PART NO.	DESCRIPTION
1	BL05-31	LONG UNISTRUT
2	GB/T 5783-2000 M10X70	HEX CAP SCREW
3	GB97.1-85 10	FLAT WASHER
4	GB/T 889.1-2000 M10	LOCKNUT
5	BL02A-29-00	FRAME BRACE WELDMENT, L.H.
6	BL02A-30-00	FRAME BRACE WELDMENT, R.H.
7	BL02A-32	UNISTRUCT NUT
8	BL02A-33	WASHER, SPECIAL
9	BL02A-35	BOLT, SPECIAL
10	BL02A-34	WASHER, SPECIAL
11	GB/T 889.1-2000 M12	LOCKNUT
12	BL03-09-11	ORIENTATION PLATE
13	CEBL05-01-02-03	LOCATING PANEL
14	CEBL05-01-02-04	RECTANGLE TUBE
15	CEBL05-01-02-01-00	FIXING FRAME
16	GB/T 6170-2000 M8	NUT
17	GB/T 70.3-2000 M8X40	FLAT SOCKET CAP SCREW
18	CEBL05-01-03-01-00A	FIXING FRAME
19	CEBL05-01-02-02	LOCATING PANEL
20	BL05-27-00	SIDE FRAME, L. H.
21	BL05-28-00A	SIDE FRAME, R. H.
22	GB/T 5783-2000 M10X25	HEX CAP SCREW
23	BL02A-01-07-01	END CAP
24	BL02A-01-07-13A	END CAP
25	BL05-01-07-02-00	CROSSBEAM WELDMENT
26	GB/T 889.1-2000 M6	LOCKNUT
27	GB97.1-85 6	FLAT WASHER
28	GB/T 5782-2000 M6X45	HEX CAP SCREW
29	CEBL05B-02-11-00	BRACKET
30	GB/T 5782-2000 M10X50	HEX CAP SCREW

ITEM	PART NO.	DESCRIPTION
31	GB96-85 10	FLAT WASHER
32	CEBL05B-02-10-00	BRACKET
33	CEBL05B-02-12-00	BRACKET
34	CEBL05B-02-14-00	NORMAL BRACKET
35	CEBL05B-02-13-00	LONG BRACKET
36	CEBL05B-02-15-00	SHORT BRACKET
37	GB/T 889.1-2000 M8	LOCKNUT
38	GB97.1-85 8	FLAT WASHER
39	GB/T 5783-2000 M8X20	HEX CAP SCREW
40	CEBL05B-02-01-00	FIXING PANEL R.H.
41	CEBL05B-02-02-00	FIXING PANEL L.H.
42	CEBL05B-02-04-00B	NORMAL BRACKET
43	CEBL05B-02-03-00B	NARROW PLATFORM
44	GB/T 70.3-2000 M8X25	FLAT SOCKET CAP SCREW
45	GB/T 5782-2000 M6X20	HEX CAP SCREW
46	GB/T 70.3-2000 M6X16	FLAT SOCKET CAP SCREW
47	CEBL05B-02-05-02-00	HINGE
48	CEBL05B-02-05-01	CENTER PLATFORM
49	GB/T 5783-2000 M8X50	HEX CAP SCREW
50	CEBL05B-02-08	BRACKET
51	CEBL05B-02-06	BRACKET
52	CEBL05B-02-07	BRACKET
53	CEBL05-31	SHORT UNISTRUT
54		
55		
56		
57		
58		
59		
60		







ITEM	PART NO.	DESCRIPTION
1	BL05-31	LONG UNISTRUT
2	GB/T 5783-2000 M10X70	HEX CAP SCREW
3	GB97.1-85 10	FLAT WASHER
4	GB/T 889.1-2000 M10	LOCKNUT
5	BL02A-29-00	FRAME BRACE WELDMENT, L.H.
6	BL02A-30-00	FRAME BRACE WELDMENT, R.H.
7	BL02A-32	UNISTRUCT NUT
8	BL02A-33	WASHER, SPECIAL
9	BL02A-35	BOLT, SPECIAL
10	BL02A-34	WASHER, SPECIAL
11	GB/T 889.1-2000 M12	LOCKNUT
12	BL03-09-11	ORIENTATION PLATE
13	CEBL05-01-02-03	LOCATING PANEL
14	CEBL05-01-02-04	RECTANGLE TUBE
15	CEBL05-01-02-01-00A	FIXING FRAME
16	GB/T 6170-2000 M8	NUT
17	GB/T 70.3-2000 M8X40	FLAT SOCKET CAP SCREW
18	CEBL05-01-03-01-00	FIXING FRAME
19	CEBL05-01-02-02	LOCATING PANEL
20	BL05-27-00	SIDE FRAME, L. H.
21	BL05-28-00	SIDE FRAME, R. H.
22	GB/T 5783-2000 M10X25	HEX CAP SCREW
23	BL02A-01-07-01	END CAP
24	BL02A-01-07-13B	END CAP
25	BL05-01-07-02-00	CROSSBEAM WELDMENT
26	GB/T 889.1-2000 M6	LOCKNUT
27	GB97.1-85 6	FLAT WASHER
28	GB/T 5782-2000 M6X45	HEX CAP SCREW
29	CEBL05B-02-11-00	BRACKET
30	GB/T 5782-2000 M10X50	HEX CAP SCREW

ITEM	PART NO.	DESCRIPTION
31	GB96-85 10	FLAT WASHER
32	CEBL05B-02-10-00	BRACKET
33	CEBL05B-02-12-00	BRACKET
34	CEBL05B-02-14-00	NORMAL BRACKET
35	CEBL05B-02-13-00	LONG BRACKET
36	CEBL05B-02-15-00	SHORT BRACKET
37	GB/T 889.1-2000 M8	LOCKNUT
38	GB97.1-85 8	FLAT WASHER
39	GB/T 5783-2000 M8X20	HEX CAP SCREW
40	CEBL05B-02-01-00	FIXING PANEL R.H.
41	CEBL05B-02-02-00	FIXING PANEL L.H.
42	CEBL05B-02-04-00A	NORMAL BRACKET
43	CEBL05B-02-03-00A	NARROW PLATFORM
44	GB/T 70.3-2000 M8X25	FLAT SOCKET CAP SCREW
45	GB/T 5782-2000 M6X20	HEX CAP SCREW
46	GB/T 70.3-2000 M6X16	FLAT SOCKET CAP SCREW
47	CEBL05B-02-05-02-00	HINGE
48	CEBL05B-02-05-01	CENTER PLATFORM
49	GB/T 5783-2000 M8X50	HEX CAP SCREW
50	CEBL05B-02-08	BRACKET
51	CEBL05B-02-06	BRACKET
52	CEBL05B-02-07	BRACKET
53	CEBL05-31	SHORT UNISTRUT
54		
55		
56		
57		
58		
59		
60		

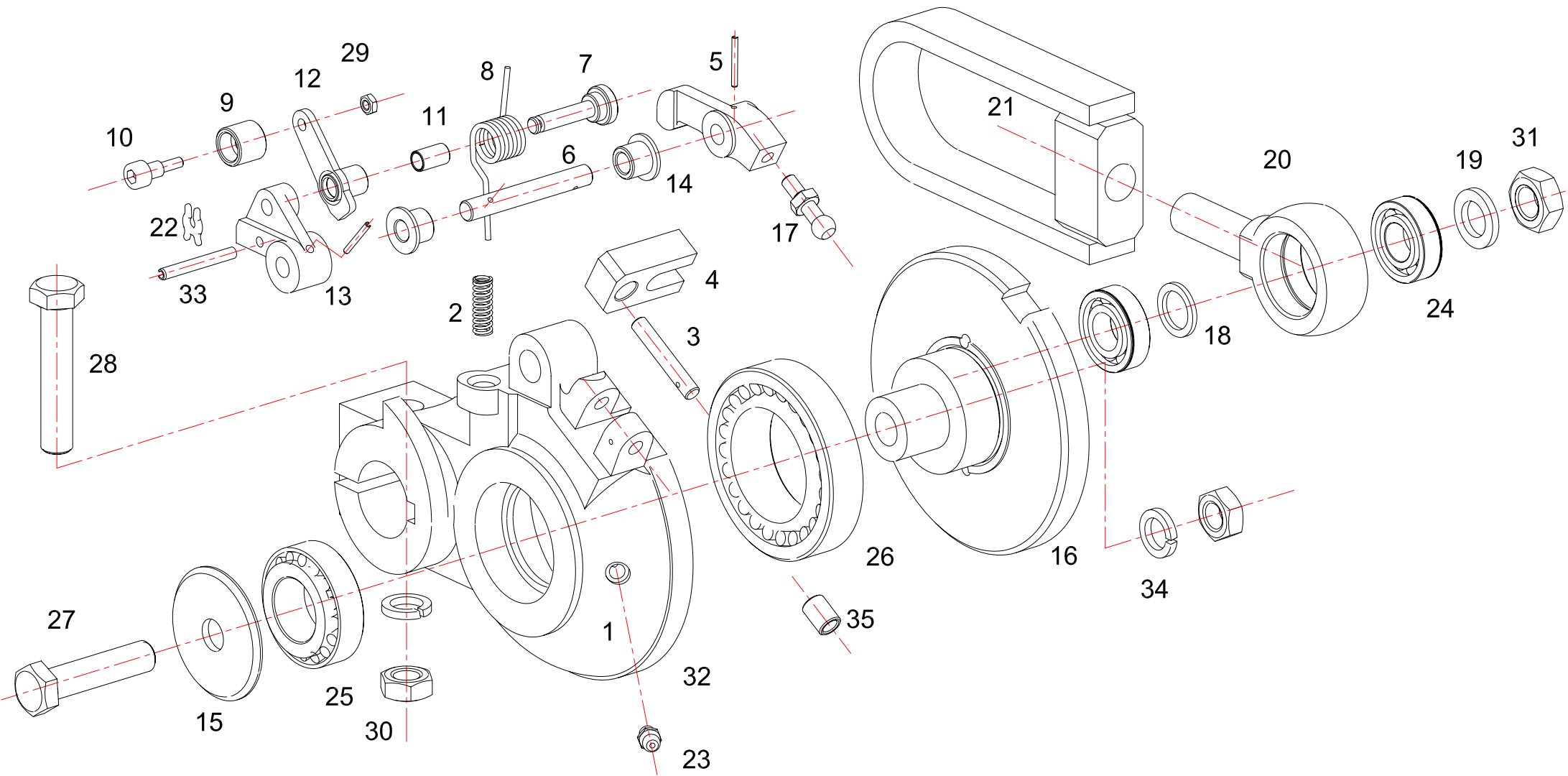




ITEM	PART NO.	DESCRIPTION
1	BL03-01-01-00	TABLE DRIVE ASSEMBLY
2	BL03-01-02-00	SOLENOID OPERATED SHUTTLE ASS.
3	BL02A-01-03-00	HOUSING WELDMENT
4	BL03-01-02-32	ROLL PIN
5	BL02A-01-05	ROLL PIN
6	BL03-01-06-00	BALL JOINT
7	BL05-01-07-02-00	CROSSBEAM WELDMENT
8	BL03-01-08	SPRING
9	BL03-01-09-00	SPRING HANGER
10	BL03-01-10	SPRING HANGER PIN
11	BL03-01-11	CONFINE PANEL
12	BL03-01-12	CLAMP STUD
13	BL03-01-13	SWITCH LEVER
14	BL02A-01-14	SPRING
15	BL02A-01-15	SHAFT
16	BL03-01-16	BOLT SPECIAL
17	BL02A-01-17	FLANGE BUSHING
18	BL02A-01-18	FLANGE BUSHING
19	BL02A-01-19	ALTERNATE LATCH
20	BL03-01-20	RESPOT ARM LINK
21	BL02A-01-21	SPOTTING ARM SHAFT
22	BL02A-01-22	FLANGLE BUSHING
23	BL02A-01-23	BRACKET
24	BL03-01-24	STOP LINK PIN
25	Z-15G-B	MICRO-SWITCH
26	BL03-01-26	SPOTTING ARM LINK
27	BL03-01-27	UPPER SPOTING LINK
28	BL05-01-40-00	BRACKET
29	BL02A-01-29	SPOT & RESPOT CAM HUB CAP
30	BL02A-01-30	SPOT & RESPOT CAM
31	BL03-01-31	SHUTTLE CAM HUB CAP
32	BL02A-01-32	SHUTTLE CAM
33	BL03-01-33A-00	TABLLE CAM WELDMENT
34	BL03-01-34	BEARING RETAINER
35	BL05-01-35D	TABLE DRIVE SHAFT
36	BL05-01-38-00	SWEEP DRIVE ASSEMBLY
37	BL02A-01-39A	LIGHT BRACKET
38	BL02A-01-39B	LIGHT BRACKET
39	BLB001-08	X WASHER
40	CF 10K	CAM FITTING

ITEM	PART NO.	DESCRIPTION
41	GB1096-79 10X8X100	KEY
42	GB1096-79 8X7X28	KEY
43	GB1152-89 M6	GREASE FITTING
44	GB272-1993 UC206	BEARING
45	GB/T 5782-2000 M10X45	HEX CAP SCREW
46	BL05-01-07-06A	COVER
47	GB/T 5783-2000 M8X25	HEX CAP SCREW
48	GB/T 5783-2000 M6X16	HEX CAP SCREW
49	BL03-01-42	SCREW
50	GB/T 5783-2000 M8X20	HEX CAP SCREW
51	BL02A-01-07-01	END CAP
52	GB/T 6170-2000 M4	NUT
53	BL02A-01-07-13A	END CAP
54	GB/T 889.1-2000 M8	LOCKNUT
55	GB/T 889.1-2000 M12	LOCKNUT
56	GB/T 889.1-2000 M5	LOCKNUT
57	GB/T 889.1-2000 M6	LOCKNUT
58	GB/T 889.1-2000 M10	LOCKNUT
59	BL05-01-07-06B	COVER
60	GB/T 70.1-2000 M8X45	SOCKET HEAD CAP SCREW
61	GB818-85 M4X65	PAN HEAD SCREW
62	GB818-85 M5X20	PAN HEAD SCREW
63	GB867-86 3x15	RIVET
64	GB93-87 5	SPRING WASHER
65	GB93-87 6	SPRING WASHER
66	GB93-87 8	SPRING WASHER
67	GB97.1-85 10	FLAT WASHER
68	GB97.1-85 12	FLAT WASHER
69	GB97.1-85 4	FLAT WASHER
70	GB97.1-85 5	FLAT WASHER
71	GB97.1-85 6	FLAT WASHER
72	GB97.1-85 8	FLAT WASHER
73	FRONT END MOTOR & GEARBOX ASS'Y (SEE APPENDIX)	
74		
75		
76		
77		
78		
79		
80		



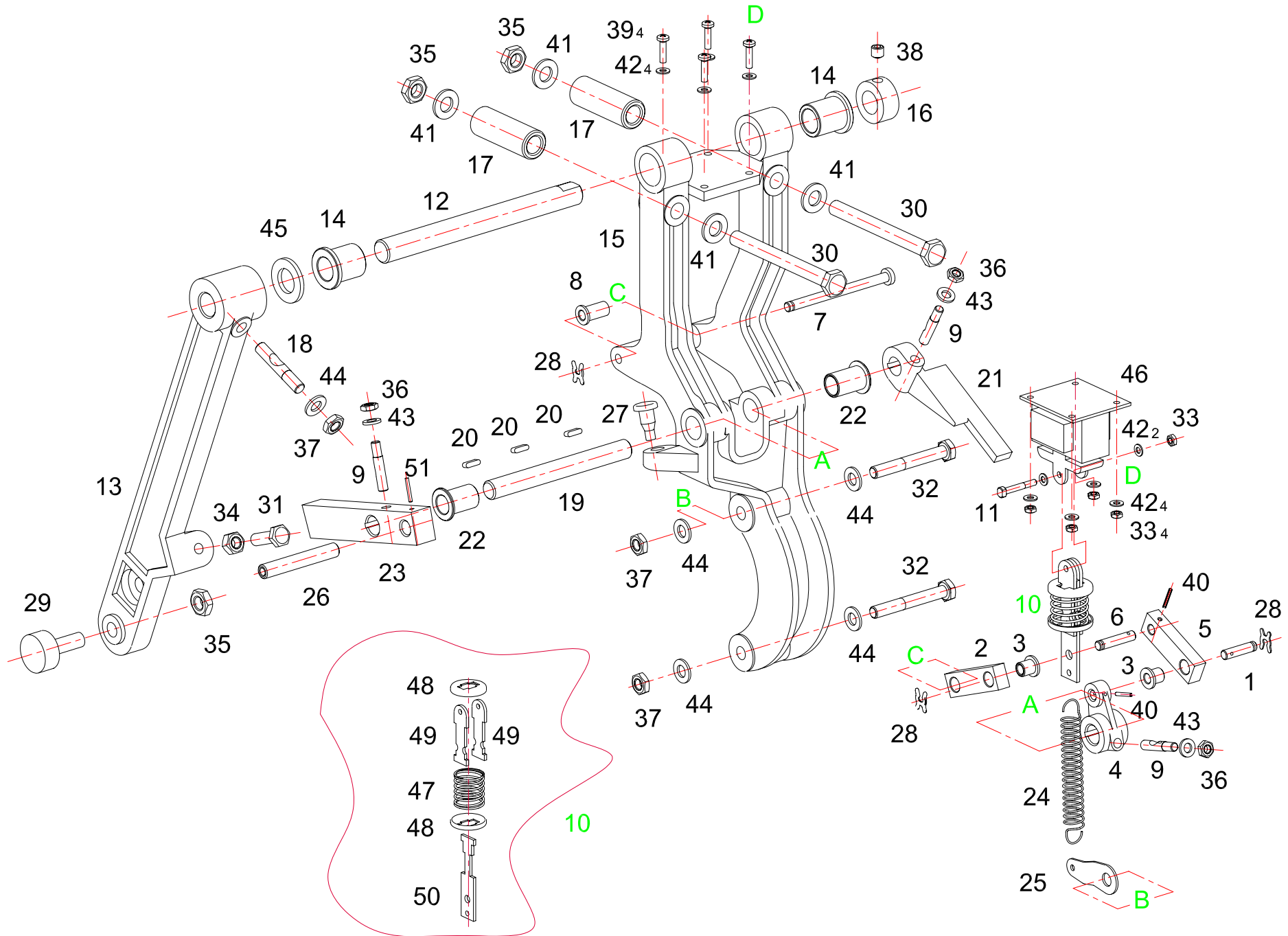


ITEM	PART NO.	DESCRIPTION
1	BL03-01-01-01	CRANK HOUSING & CUP
2	BL02A-01-01-02	SPRING
3	BL02A-01-01-03	PIVOT PIN
4	BL02A-01-01-04-02	LATCH
5	BL03-01-01-05	ARM LATCH
6	BL02A-01-01-06	PIN
7	BL02A-01-01-07	PIN
8	BL02A-01-01-08	SPRING
9	BL03-01-01-09	ROLLER
10	BL03-01-01-10	SHOULDER SCREW
11	BL02A-01-01-11	SLEEVE BUSHING
12	BL02A-01-01-12-00	LINK HUB WELDMENT
13	BL03-01-01-13	LINK
14	BL02A-01-01-14	FLANGE BUSHING
15	BL02A-01-01-15	DISC SPRING
16	BL03-01-01-16	TABLE DRIVE ECCENTRIC
17	BL03-01-01-17	CAM BALL STUD
18	BL03-01-01-18	SPACER
19	BL03-01-01-19	SPACER
20	BL03-01-01-20	ROD END
21	BL03-01-01-21-00	YOKE WELDMENT
22	BLB001-6	X WASHER
23	GB1152-89 M6	GREASE FITTING
24	GB277-89 6102ZZ	BEARING
25	GB297-84 2007105E	BEARING
26	GB297-84 2007109E	BEARING

ITEM	PART NO.	DESCRIPTION
27	GB/T 5782-86 M12X50	HEX CAP SCREW
28	GB/T 5782-86 M12X60	HEX CAP SCREW
29	GB/T 6170-2000 M4	NUT
30	GB/T 889.1-2000 M12	LOCKNUT
31	GB/T 889.1-2000 M14	LOCKNUT
32	GB879-86 3X20	ROLL PIN
33	GB879-86 4X35	ROLL PIN
34	GB93-87 12	SPRING WASHER
35	BL02A-01-01-04-01	SELEEVE BUSHING
36		
37		
38		
39		
40		
41		
42		
43		
44		
45		
46		
47		
48		
49		
50		
51		
52		





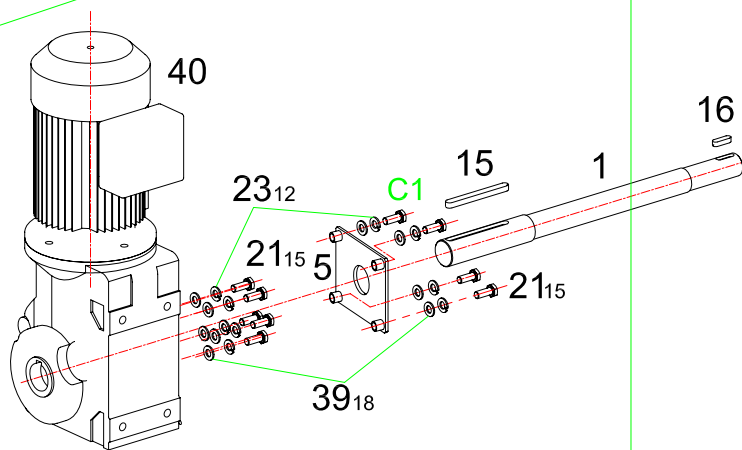
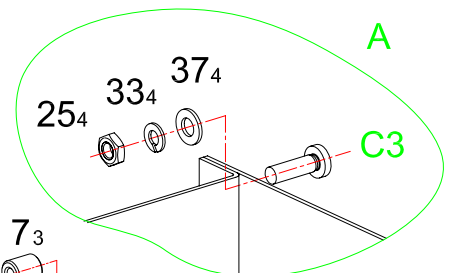
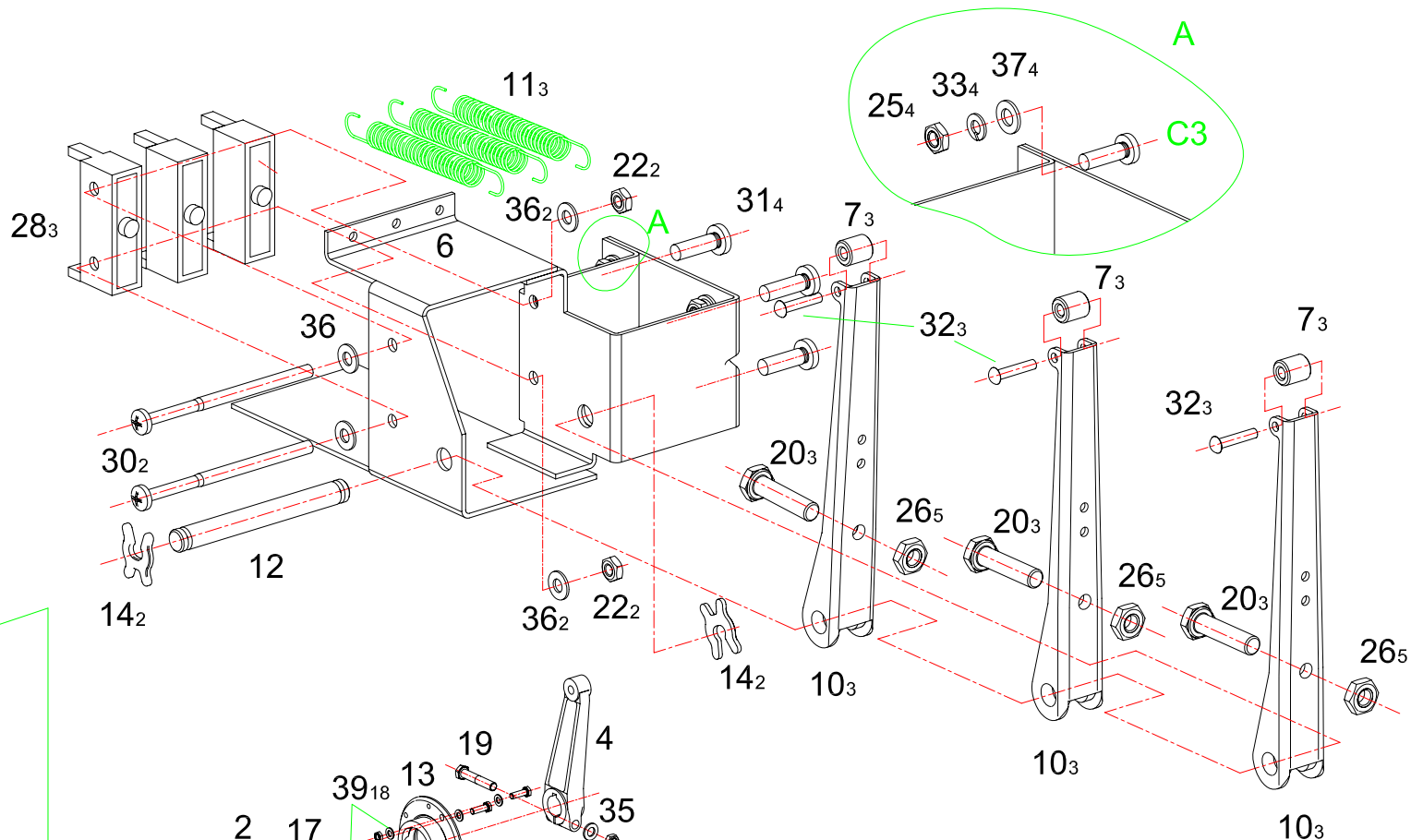
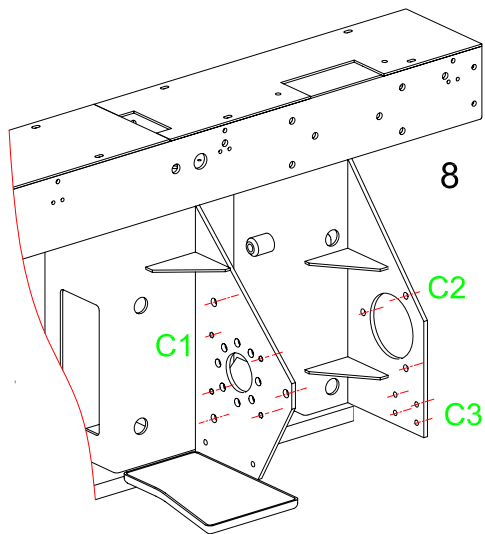


ITEM	PART NO.	DESCRIPTION
1	BL02A-01-02-01	PIN
2	BL02A-01-02-02	LINK
3	BL02A-01-02-03	FLANGE BUSHING
4	BL02A-01-02-04	LINK
5	BL02A-01-02-05	KIT LINK REPLACEMENT
6	BL02A-01-02-06	PIN
7	BL02A-01-02-07-00	SHAFT
8	BL02A-01-02-08	FLANGE BUSHING
9	BL03-01-02-09	CLAMP STUD
10	BL02A-01-02-12-00	SPRING LINK ASSEMBLY
11	BL03-01-02-16	ROLL PIN
12	BL02A-01-02-17	SHAFT
13	BL03-01-02-18	LEVER
14	BL02A-01-02-19	FLANGE BUSHING
15	BL02A-01-02-20	SHAFT
16	BL03-01-02-21	COLLAR
17	BL02A-01-02-22	SPACER
18	BL03-01-02-23	CLAMP STUD
19	BL03-01-02-24	SHAFT
20	BL03-01-02-24A	KEY
21	BL02A-01-02-25	CAM LINK
22	BL02A-01-02-26	FLANGE BUSHING
23	BL02A-01-02-27	STOP LEVER
24	BL03-01-02-30	SPRING
25	BL02A-01-02-31	SPRING CLIP
26	BL03-01-02-32	ROLL PIN

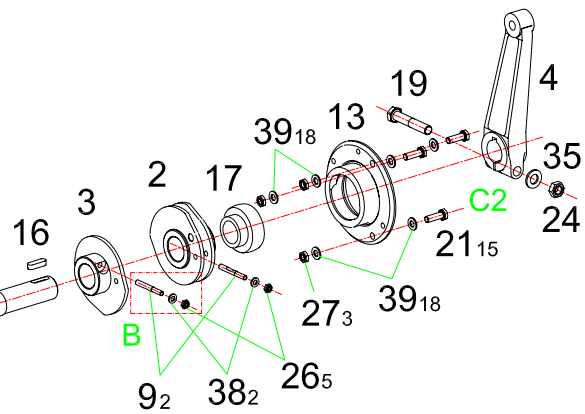
ITEM	PART NO.	DESCRIPTION
27	BL02A-06-02-04	RUBBER BUMPER
28	BLB001-06	X WASHER
29	CF10K	CAM FITTING
30	GB/T 5782-2000 M10x100	HEX CAP SCREW
31	GB/T 5782-2000 M8x25	HEX CAP SCREW
32	GB/T 5782-2000 M8x60	HEX CAP SCREW
33	GB/T 6170-2000 M4	NUT
34	GB/T 6170-2000 M8	NUT
35	GB/T 889.1-2000 M10	LOCKNUT
36	GB/T 889.1-2000 M6	LOCKNUT
37	GB/T 889.1-2000 M8	LOCKNUT
38	GB/T 80-2000 M8x8	SOCKET SET SCREW
39	GB818-85 M4x16	PAN HEAD SCREW
40	GB879-86 2x16	ROLL PIN
41	GB97.1-85 10	FLAT WASHER
42	GB97.1-85 4	FLAT WASHER
43	GB97.1-85 6	FLAT WASHER
44	GB97.1-85 8	FLAT WASHER
45	GB97.1-85 16	FLAT WASHER
46	SOLENOID-50	SOLENOID, 220V/50Hz
46*	SOLENOID-60	SOLENOID, 220V/60Hz
47	BL02A-01-02-12-01	SPRING
48	BL02A-01-02-12-02	WASHER
49	BL02A-01-02-12-03	SPRING LINK OUTSIDE
50	BL02A-01-02-12-04	SPRING LINK
51	GB879-86 3x30	ROLL PIN



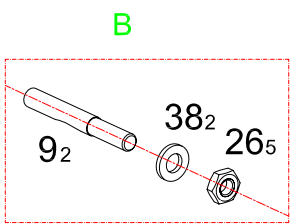




SEE APPENDIX. A



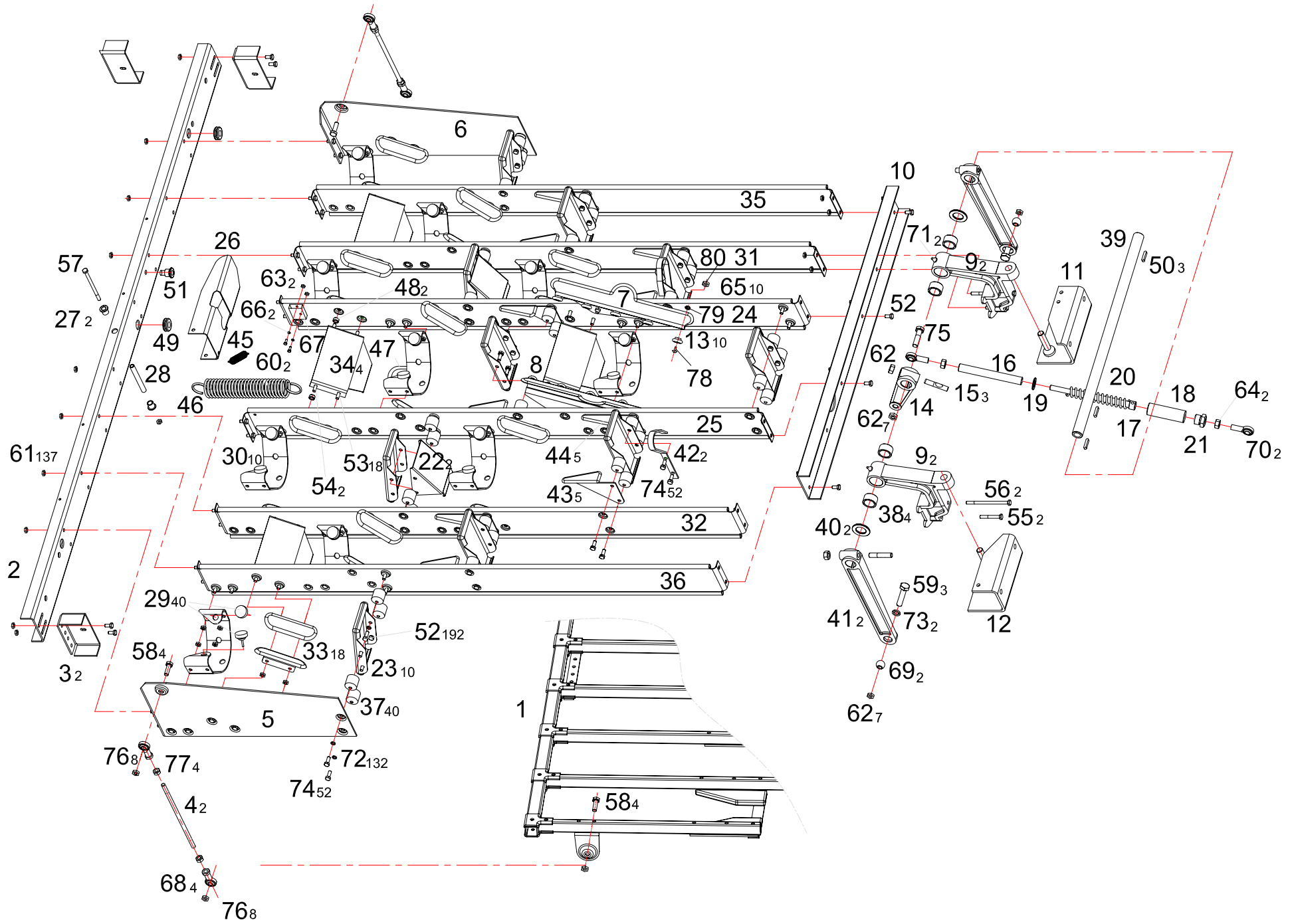
SEE UPPER VIEW



ITEM	PART NO.	DESCRIPTION
1	BL05-01-38-01C	SWEEP DRIVE SHAFT
2	BL03-01-38-02A-00	CAM WELDMENT, SWEEP
3	BL03-01-38-03A-00	CAM WELDMENT, SWEEP
4	BL03-01-38-04	CRANK ARM
5	BL05-01-40-00	BRACKET
6	BL02A-01-03-00	HOUSING WELDMENT
7	BL02A-01-05	ROLLER
8	BL05-01-07-00	CROSSBEAM WELDMENT
9	BL03-01-12	CLAMP STUD
10	BL03-01-13	SWITCH LEVER
11	BL02A-01-14	SPRING
12	BL02A-01-15	SHAFT
13	BL03-01-34	BEARING RETAINER
14	BLB001-08	X WASHER
15	GB1096-79 10X8X100	KEY
16	GB1096-79 8X7X28	KEY
17	GB272-1993 UC206	BEARING
18		
19	GB/T 5782-2000 M12X65	HEX CAP SCREW
20	BL03-01-42	SCREW
21	GB/T 5782-2000 M8X25	HEX CAP SCREW
22	GB/T 6170-2000 M4	NUT
23	GB93-87 8	SPRING WASHER
24	GB/T 889.1-2000 M12	LOCKNUT
25	GB/T 889.1-2000 M5	LOCKNUT
26	GB/T 889.1-2000 M6	LOCKNUT

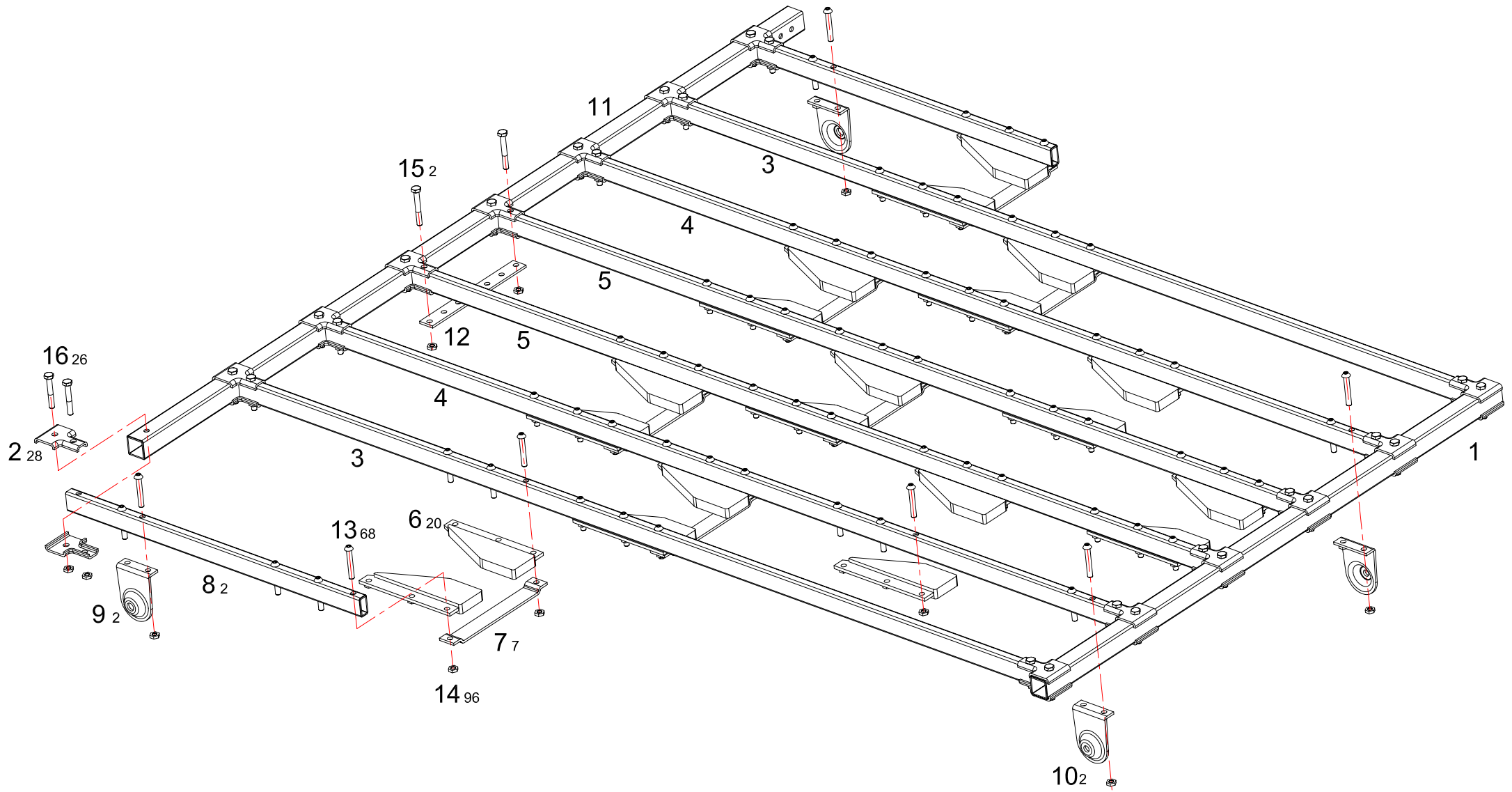
ITEM	PART NO.	DESCRIPTION
27	GB/T 889.1-2000 M8	LOCKNUT
28	Z-15G-B	MICRO-SWITCH
29		
30	GB818-85 M4X65	PAN HEAD SCREW
31	GB818-85 M5X16	PAN HEAD SCREW
32	GB867-86 3X15	RIVET
33	GB93-87 5	SPRING WASHER
34		
35	GB97.1-85 12	FLAT WASHER
36	GB97.1-85 4	FLAT WASHER
37	GB97.1-85 5	FLAT WASHER
38	GB97.1-85 6	FLAT WASHER
39	GB97.1-85 8	FLAT WASHER
40	FRONT END MOTOR & GEARBOX ASS'Y (SEE APPENDIX)	
41		
42		
43		
44		
45		
46		
47		
48		
49		
50		
51		
52		





ITEM	PART NO.	DESCRIPTION
1	BL02A-02-01-00	SHUTTLE ASSEMBLY(NOT SHOW)
2	BL02A-02-03	CHANNEL WELDMENT
3	BL02A-02-04	BRACKET SUPPORT
4	BL03-02-05	ROD
5	BL02A-02-06A	PIN GUIDE L. H.
6	BL02A-02-06B	PIN GUIDE R. H.
7	BL02A-02-08B	TRACK ASSEMBLY R. H.
8	BL02A-02-08A	TRACK ASSEMBLY L. H.
9	BL03-02-09	BRACKET
10	BL02A-02-10	CHANNEL SHORT
11	BL02A-02-11A-00	BRACKET WELDMENT R. H.
12	BL02A-02-11B-00	BRACKET WELDMENT L. H.
13	BL03-02-12-00A	BEARING
14	BL03-02-14	LEVER BIN
15	BL03-02-15	STUD CLAMP
16	BL03-02-17	LONG TUBE
17	BL03-02-18	ROD
18	BL03-02-18A	TUBE
19	BL02A-02-19	SPRING WASHER
20	BL02A-02-20	SPRING
21	BL03-02-21	TUBE PLUG
22	BL02A-02-25	SPACER PIN GUIDE #4 & #6
23	BL02A-02-26	SPACER PIN BUTT GUIDE
24	BL02A-02-27A	STRINGER CENTER R.H.& L.H.
25	BL02A-02-27B	STRINGER CENTER R.H.& L.H.
26	BL02A-02-28	SWITCH ACTUATOR
27	BL02A-02-29	FLANGE BUSHING
28	BL02A-02-30	SPACER
29	BL02A-02-31	BUMPER
30	BL02A-02-32	PIN HEAD BRACKET
31	BL02A-02-33A	STRINGER CENTER R.H.& L.H.
32	BL02A-02-33B	STRINGER CENTER R.H.& L.H.
33	BL02A-02-34	PIN GUIDE
34	BL02A-02-35	SPACER PIN HEAD GUIDE
35	BL02A-02-36A	STRINGER OUTSIDE R.H.
36	BL02A-02-36B	STRINGER OUTSIDE L.H.
37	BL03-02-37-00	SHOCK MOUNT
38	BL02A-02-38	SLEEVE BUSHING
39	BL02A-02-39	SHAFT
40	BL02A-02-40	WASHER THRUST OILITE

ITEM	PART NO.	DESCRIPTION
41	BL03-02-41	SHUTTLE OPERATING ARM
42	BL02A-02-42	GUIDE PIN #1
43	BL02A-02-43A	PIN GUIDE
44	BL02A-02-43B	PIN GUIDE
45	BL02A-02-44	SPRING
46	BL02A-02-45	SPRING
47	BL02A-02-46-00	BRACKET WELDMENT
48	BL02A-02-47	WASHER SPECIAL
49	BL02A-02-48	RUBBER SPACER
50	BL03-04-09	KEY, SPECIAL
51	BL02A-06-02-04	BUMPER
52	GB/T 5783-2000 M6X12	HEX CAP SCREW
53	GB/T 5783-2000 M6X20	HEX CAP SCREW
54	GB/T 5783-2000 M6X25	HEX CAP SCREW
55	GB/T 5782-2000 M6X45	HEX CAP SCREW
56	GB/T 5782-2000 M6X75	HEX CAP SCREW
57	GB/T 5782-2000 M6X95	HEX CAP SCREW
58	GB/T 5783-2000 M8X25	HEX CAP SCREW
59	GB/T 5783-2000 M10X35	HEX CAP SCREW
60	GB818-85 M4X25	PAN HEAD SCREW
61	GB/T 889.1-2000 M6	LOCK NUT
62	GB/T 889.1-2000 M10	LOCK NUT
63	GB/T 6170-2000 M4	NUT
64	GB/T 6170-2000 M10	NUT
65	GB97.1-85 5	FLAT WASHER
66	GB860-87 4	WASHER
67	Z-15GD-B	MICRO-SWITCH
68	SI 8F	ROD END BEARING
69	SCP 10	BEARING, SPHERICAL
70	SA 10F	ROD END BEARING
71	GB1152-89 M6	GREASE FITTING
72	GB93-87 6	SPRING WASHER
73	GB97.1-85 10	FLAT WASHER
74	GB/T 5783-2000 M6X16	HEX CAP SCREW
75	GB/T 5782-2000 M10X40	HEX CAP SCREW
76	GB/T 889.1-2000 M8	LOCKNUT
77	GB/T 6170-2000 M8	NUT
78	GB/T 70.2-2000 M5X20	SCREW PHIL HEAD TRUSS
79	GB862.2-2000 5	WASHER STAR
80	GB/T 889.1-2000 M5	LOCKNUT

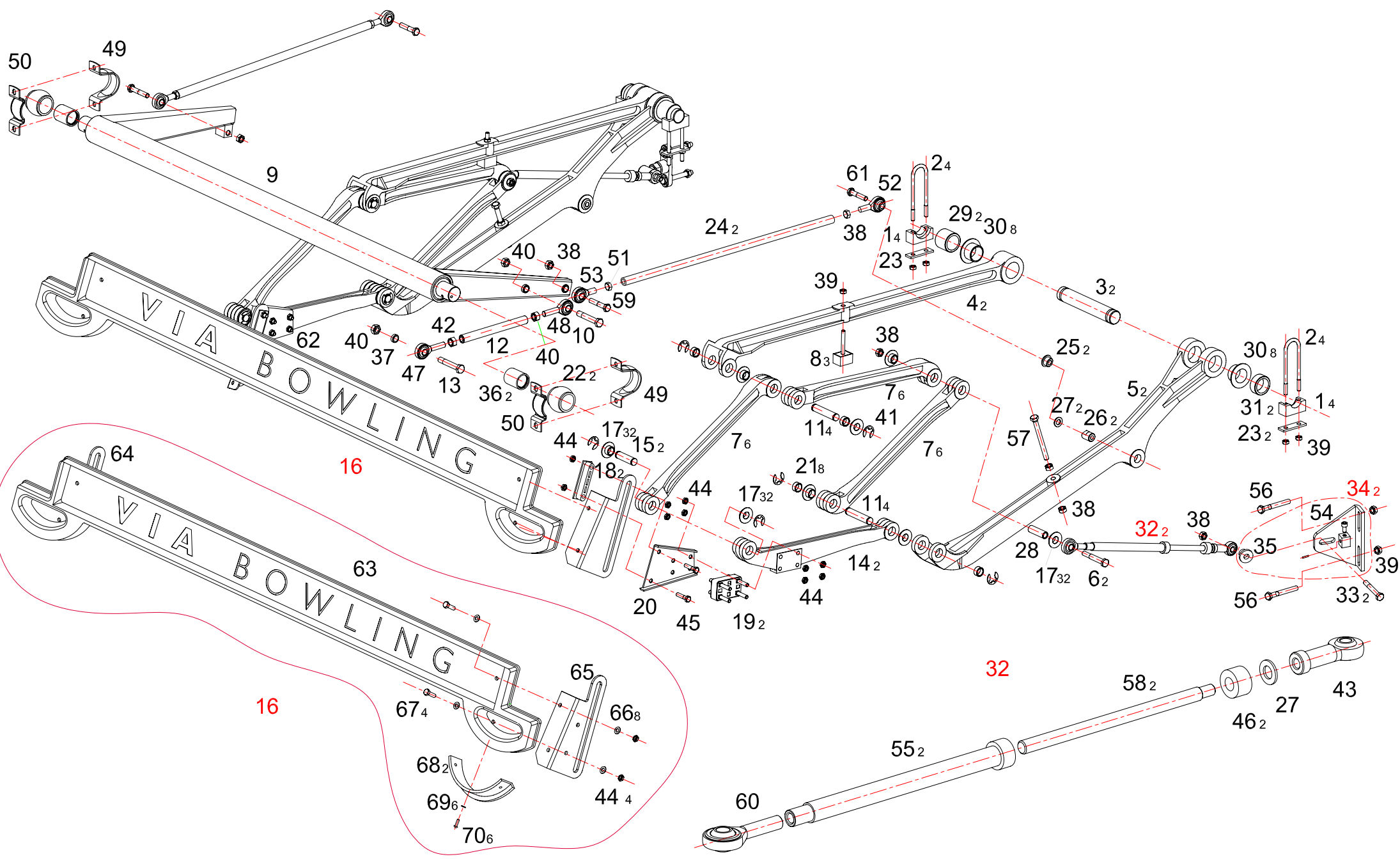


ITEM	PART NO.	DESCRIPTION
1	BL02A-02-01-01	TUBE, CROSS(SHORT)
2	BL02A-02-01-02	CLAMP END
3	BL02A-02-01-03	TUBE, OUTSIDE
4	BL02A-02-01-04	TUBE, SIDE(LONG)
5	BL02A-02-01-05	TUBE, CENTER
6	BL02A-02-01-06-00	PIN OLDER
7	BL02A-02-01-07	BIN STRAP
8	BL02A-02-01-09	TUBE, SIDE(SHORT)
9	BL02A-02-01-10A	BRACKET ARM
10	BL02A-02-01-10B	BRACKET ARM
11	BL02A-02-01-11	SHUTTLE CROSS TUBE(LONG)
12	BL02A-02-01-12	STRP
13	GB/T 70.3-2000 M6X40	FLAT SOCKET CAP SCREW
14	GB/T 889.1-2000 M6	LOCKNUT
15	GB/T 5782-2000 M6X45	HEX CAP SCREW
16	GB/T 5782-2000 M6X40	HEX CAP SCREW
17		
18		
19		
20		
21		
22		
23		
24		
25		
26		

ITEM	PART NO.	DESCRIPTION
27		
28		
29		
30		
31		
32		
33		
34		
35		
36		
37		
38		
39		
40		
41		
42		
43		
44		
45		
46		
47		
48		
49		
50		
51		
52		



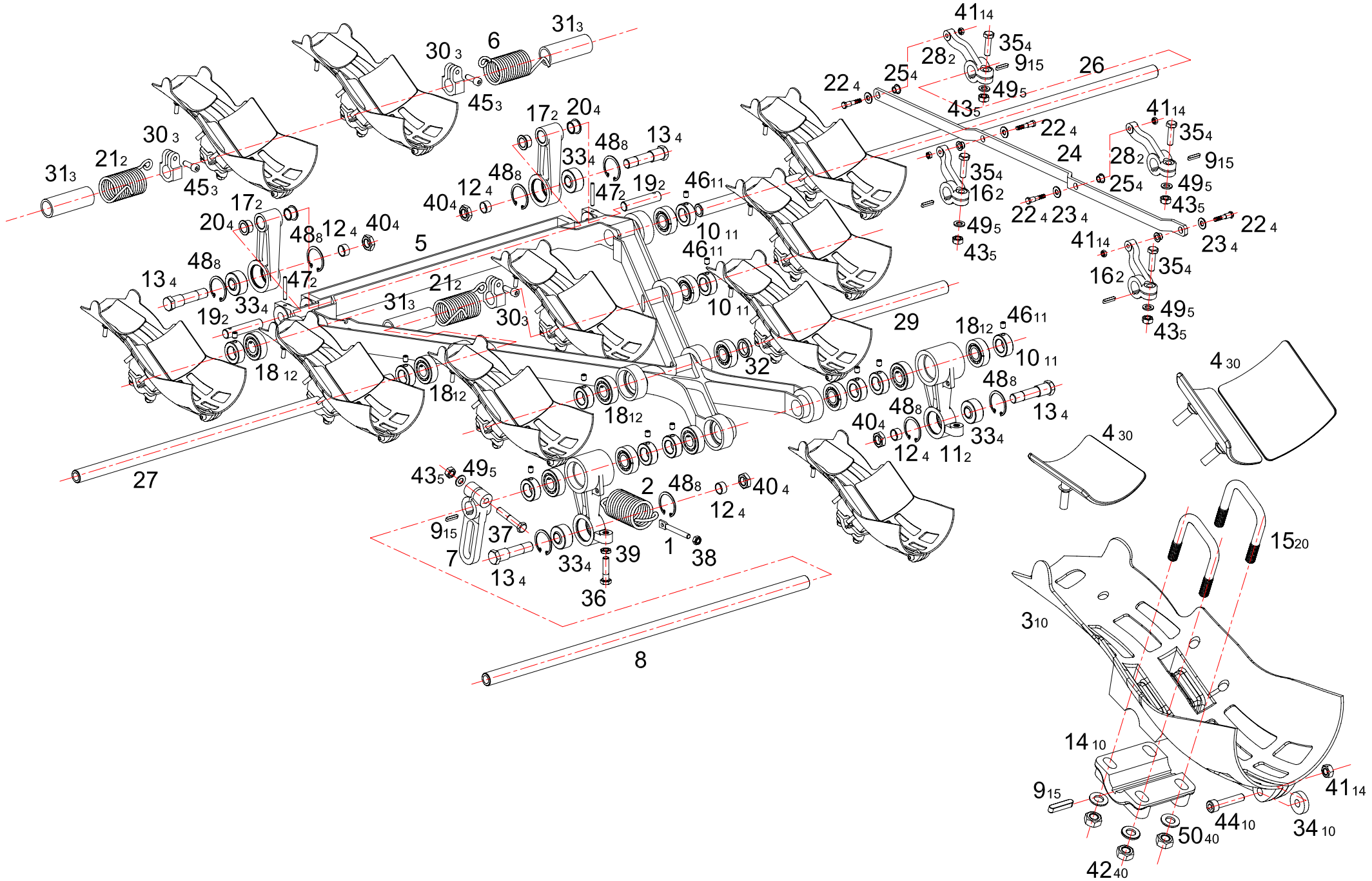




ITEM	PART NO.	DESCRIPTION
1	BL02A-03-01	SADDLE
2	BL03-03-02	"U" BOLT
3	BL02A-03-03	SHAFT MAIN PIVOT
4	BL02A-03-04	STABILIZING LINK
5	BL02A-03-05	DRIVE LINK
6	BL03-03-06	BOLT, SPECIAL
7	BL02A-03-07	LINK
8	BL02A-03-08-00	BUMPER
9	BL03-03-09-00	SWEEP ROCK ARM WELDMENT
10	BL03-03-10	BOLT, SPECIAL
11	BL02A-03-11	PIN BEARING
12	BL03-03-12	TUBE
13	GB/T 5782-2000 M12X50	HEX CAP SCREW
14	BL02A-03-14	SUPPORT LINK
15	BL02A-03-15	PIN BEARING
16	BL02A-03-16-00	SWEEP BAR ASSEMBLY
17	BL02A-03-17	FLANGE BUSHING
18	BL02A-03-18	SLIDE BAR
19	BL03-03-19-00	SHOCK MOUNT
20	BL02A-03-20A	SHOCK BRACKET R.H.
21	BL02A-03-21	SLEEVE BUSHING
22	BL02A-03-22-02	PILLOW BLOCK
23	BL02A-03-23	CLAMP BAR
24	BL03-03-24	TUBE
25	BL02A-03-25A	FLANGE BUSHING
26	BL03-03-26	FLANGE BUSHING
27	GB97.1-85 12	FLAT WASHER
28	GB97.1-85 10	FLAT WASHER
29	BL02A-03-29	SPACER, MAIN PIVOT-LONG
30	BL02A-03-30	FLANGE BUSHING
31	BL02A-03-31	SPACER, MAIN PIVOT-SHORT
32	BL03-03-32-00	TELESCOPING LINK ASSEMBLY
33	GB/T 5782-2000 M10X40	HEX CAP SCREW
34	BL03-03-34-00	SHOCK MOUNT BRACKET
35	BL03-03-34-02	WASHER
36	BL02A-03-22-01	BRASS SLEEVE
37	BL03-03-37	BUSHING
38	GB/T 6170-2000 M10	NUT
39	GB/T 6170-2000 M8	NUT
40	GB/T 6170-2000 M12	NUT

ITEM	PART NO.	DESCRIPTION
41	GB896-86 16	RETAINING RING
42	GB/T 6170-2000 M12	NUT, L.H.
43	SI 10F	ROD END BEARING
44	GB/T 889.1-2000 M8	LOCK NUT
45	GB/T 5782-2000 M8×35	HEX CAP SCREW
46	BL02A-03-32-03	BUMPER
47	SA 12F	ROD END BEARING
48	SA 12F	ROD END BEARING L.H.
49	BL02A-03-22-03	PILLOW BLOCK BASE
50	BL02A-03-22-04	PILLOW BLOCK CAP
51	GB/T 6170-2000 M10	NUT, L.H.
52	SA 10F	ROD END BEARING
53	SA 10F	ROD END BEARING L.H.
54	GB/T70.1-2000M6X12	SOCKET HD.CAP SCREW
55	BL03-03-32-01-00	TELESCOPING SLEEVE WELDMENT
56	GB/T 5782-2000 M8×80	HEX CAP SCREW
57	GB/T 5783-2000 M10×110	HEX CAP SCREW
58	BL03-03-32-02	ROD
59	GB/T 5782-2000 M10×55	HEX CAP SCREW
60	SA 10K	ROD END BEARING
61	GB/T 5782-2000 M10×50	HEX CAP SCREW
62	BL02A-03-20B	SHOCK BRACKET L.H.
63	BL02A-03-16-02	SWEEP BAR
64	BL02A-03-16-01B	SWEEP MOUNTING BRACKET L.H.
65	BL02A-03-16-01A	SWEEP MOUNTING BRACKET R.H.
66	GB97.1-85 8	FLAT WASHER
67	GB/T 5782-2000 M8×25	HEX CAP SCREW
68	BL02A-03-16-03	CAP - SWEEP BAR
69	GB97.1-85 5	FLAT WASHER
70	GB12618-90 5×20	RIVET
71		
72		
73		
74		
75		
76		
77		
78		
79		
80		





ITEM	PART NO.	DESCRIPTION
1	BL03-04-01	STUD-SPRING
2	BL02A-04-02	SPRING
3	BL02A-04-03	SPOTTING CUP
4	BL02A-04-04	SPOTTING CUP LINER
5	BL02A-04-05	YOKE
6	BL02A-04-06	SPRING L.H.
7	BL02A-04-07	ACTUATOR ARM
8	BL03-04-08	SHAFT #1
9	BL03-04-09	KEY, SPECIAL
10	BL03-04-10	COLLAR WITH SET SCREW
11	BL03-04-11	LEG
12	BL02A-04-12	SPACER
13	BL03-04-13	BOLT SPECIAL
14	BL02A-04-14	SPOTTING CUP CAP
15	BL03-04-15	"U" BOLT
16	BL02A-04-16	LEVER INNER
17	BL02A-04-17	LEG REAR
18	R14	BEARING
19	BL02A-04-19	PIN
20	BL02A-04-20	FLANGE BUSHING
21	BL02A-04-21	SPRING R.H.
22	BL03-04-22	BOLT SPECIAL
23	BL02A-04-23	THRUST WASHER
24	BL02A-04-24	LINK
25	BL03-04-25	FLANGE BUSHING
26	BL03-04-26	SHAFT #4

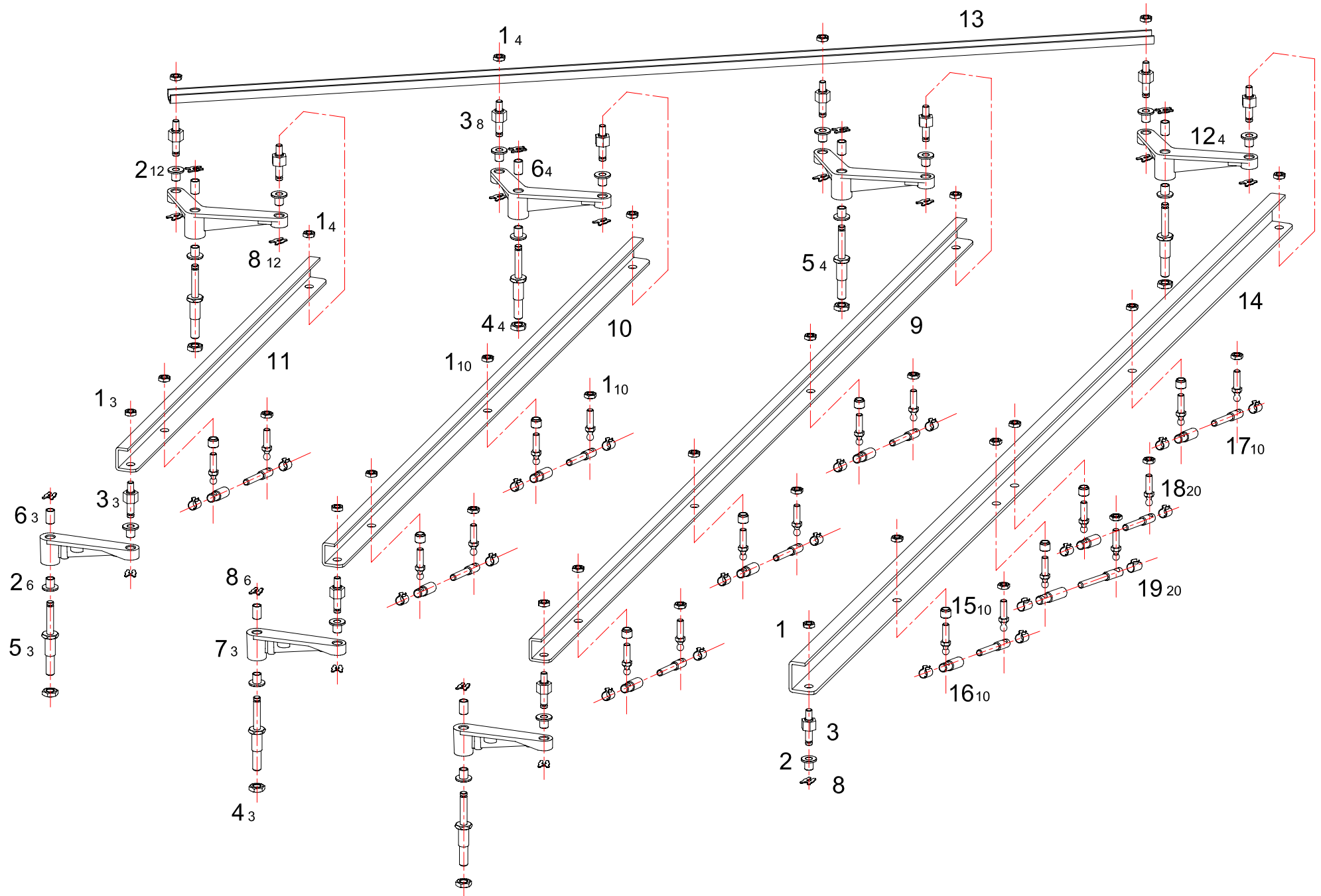
ITEM	PART NO.	DESCRIPTION
27	BL03-04-27	SHAFT #3
28	BL02A-04-28	LEVER OUTER
29	BL03-04-29	SHAFT #2
30	BL03-04-30	SPRING COLLAR
31	BL02A-04-31	SPRING SLEEVE YOKE
32	BL02A-04-32	SPACER
33	ERS 5/8"	SPHERICAL BUSHING
34	BL02A-04-34	RUBBER WASHER
35	GB/T 5782-2000 M10X35	HEX CAP SCREW
36	GB/T 5782-2000 M10X40	HEX CAP SCREW
37	GB/T 5782-2000 M10X60	HEX CAP SCREW
38	GB/T 6170-2000 M8	NUT
39	GB/T 6170-2000 M10	NUT
40	GB/T 889.1-2000 M16	LOCKNUT
41	GB/T 889.-2000 M6	LOCKNUT
42	GB/T 889.-2000 M8	LOCKNUT
43	GB/T 889.-2000 M10	LOCKNUT
44	GB/T 70.1-2000 M6X30	SOCKET SET SCREW
45	GB/T 70.1-2000 M8X25	SOCKET SET SCREW
46	GB/T 80-2000 M8X10	SOCKET SET SCREW
47	GB879-86 5X40	ROLL PIN
48	GB893.1-86 40	RETAINING RING
49	GB97.1-85 10	FLAT WASHER
50	GB97.1-85 8	FLAT WASHER
51		
52		





ITEM	PART NO.	DESCRIPTION
1	BL03-05-03-01	TABLE CASTING
2	BL02A-05-12-00	TABLE SUPPORT WELDMENT
3	GB893.1-86 40	RETAINING RING
4	GB1152-89 M6	GREASE FITTING
5	BL02A-05-05-00	TABLE SUPPORT WELDMENT L.H.
6	GB/T 5783-2000 M10X35	HEX CAP SCREW
7	BL02A-03-22-01	BRASS SLEEVE
8	BL02A-03-22-02	PILLOW BLOCK
9	BL02A-03-22-03	PILLOW BLOCK BASE
10	BL02A-03-22-04	PILLOW BLOCK CAP
11	BL03-05-02-00	TORQUE-TUBE WELDMENT
12	GB/T 889.1-2000 M10	LOCKNUT
13	BL02A-05-04A	SPACER
14	BL02A-05-04B	SPACER
15	GB/T 889.1-2000 M16	LOCKNUT
16	GB12-1988 M12X55	SEMICIRCLE HEAD SQUARE SCREW
17	GB97.1-85 12	FLAT WASHER
18	GB/T 889.1-2000 M12	LOCKNUT
19	BL02A-05-14A	SPACER
20	GB/T 5782-2000 M10X50	HEX CAP SCREW
21	SA 10F	ROD END BEARING L.H.
22	BL03-05-27	BOLT, SPECIAL
23	R14	BEARING
24	BL02A-05-29	SLEEVE
25	BL02A-05-27A	FLANGE BUSHING
26	GB/T 6170-2000 M10	NUT, L.H.

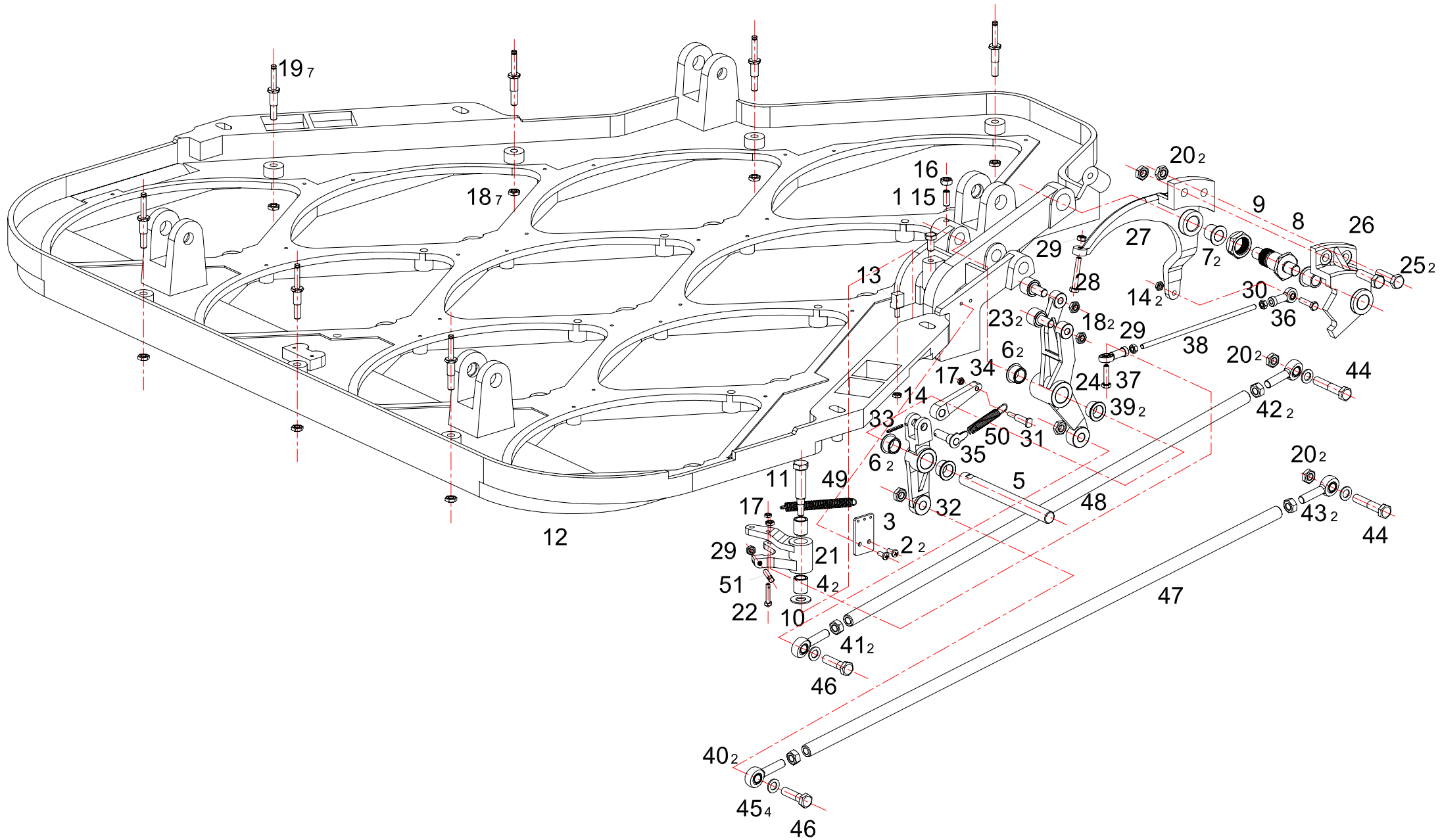
ITEM	PART NO.	DESCRIPTION
27	GB/T 6170-2000 M10	NUT
28	SA 10F	ROD END BEARING
29	BL03-05-01C	TIE ROD
30	GB848-85 10	WASHER
31	GB/T 5782-2000 M10X70	HEX CAP SCREW
32	GB/T 5782-2000 M10X55	HEX CAP SCREW
33	BL02A-05-32	PIN
34	BL03-05-18	SPRING
35	GB/T 6170-2000 M6	NUT
36	GB/T 80-2000 M6X45	SOCKET SET SCREW
37	BL03-05-04	BOLT SPECIAL
38	BLB001-10	X WASHER
39	SCP 16	BEARING, SPHERIAL
40	GB/T 6170-2000 M4	NUT
41	GB93-87 4	SPRING WASHER
42	GB818-85 M4X30	PAN HEAD SCREW
43	Z-15GD-B	MICRO-SWITCH
44	BL03-05-31	SPRING
45	BL02A-05-30	LEVER
46	BL03-03-36	WASHER
47		
48		
49		
50		
51		
52		



ITEM	PART NO.	DESCRIPTION
1	GB/T 889.1-2000 M6	LOCKNUT
2	BL02A-05-08-15	FLANGE BUSHING
3	BL03-05-23	PIN
4	GB/T 889.1-2000 M8	LOCKNUT
5	BL03-05-21	PIN
6	BL02A-05-19	SLEEVE BUSHING
7	BL02A-05-10	LEVER RESPOT
8	BLB001-06	X WASHER
9	BL02A-05-09C	LINK
10	BL02A-05-09B	LINK
11	BL02A-05-09A	LINK
12	BL02A-05-24	LEVER RESPOT
13	BL02A-05-22	LINK RESPOT CONNECTOR
14	BL02A-05-09D	LINK
15	BL02A-05-28-04A	SPACER BUSHING
16	BL03-05-28-04	PIN
17	BL03-05-28-03	LINK
18	BL03-05-28-01	BALL STUD
19	BL02A-05-28-02	CLIP
20		
21		
22		
23		
24		
25		
26		

ITEM	PART NO.	DESCRIPTION
27		
28		
29		
30		
31		
32		
33		
34		
35		
36		
37		
38		
39		
40		
41		
42		
43		
44		
45		
46		
47		
48		
49		
50		
51		
52		





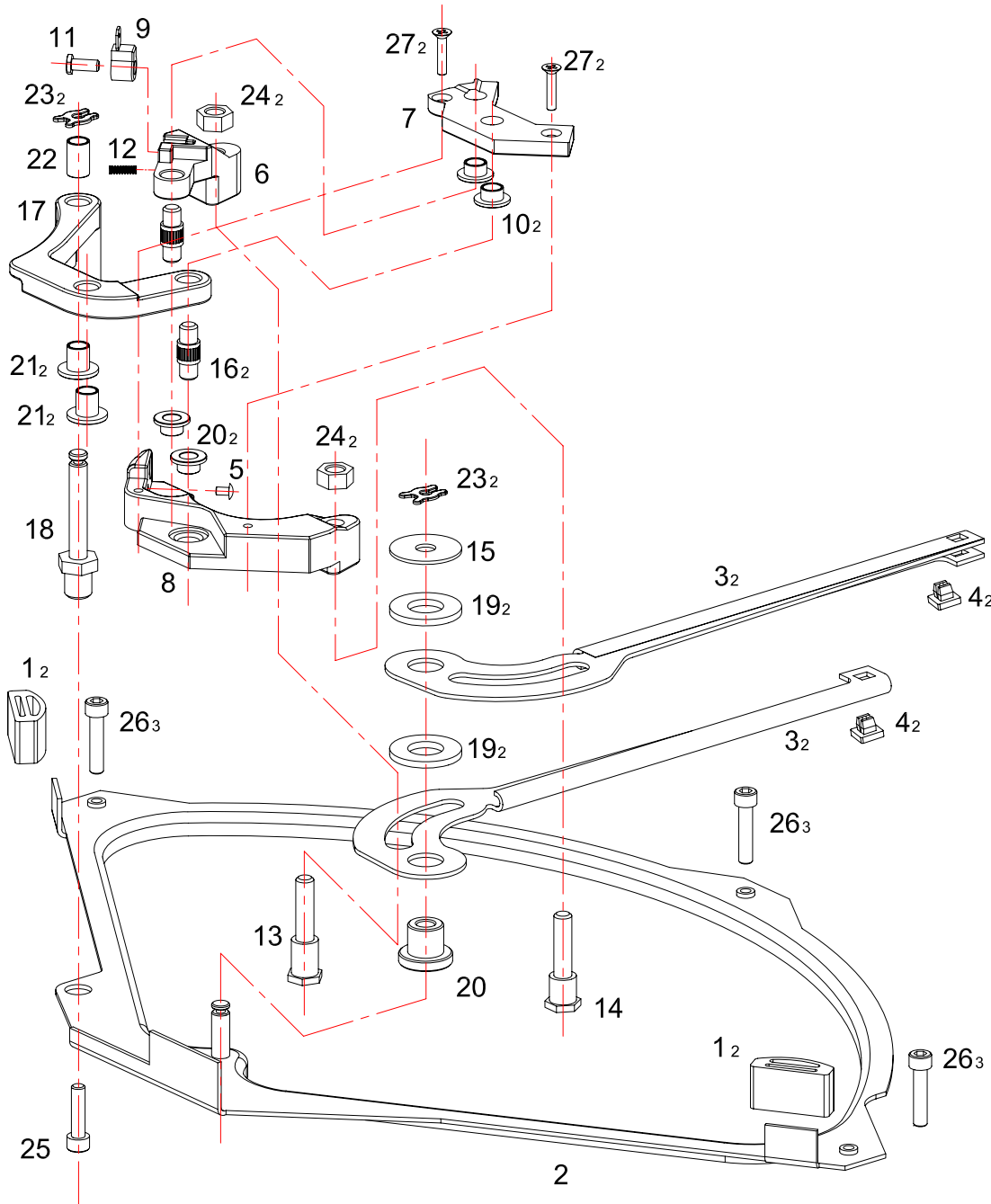


ITEM	PART NO.	DESCRIPTION
1	GB/T 5783-2000 M8X16	HEX CAP SCREW
2	GB818-85 M5X12	PAN HEAD SCREW
3	BL03-05-03-05	BRACKET
4	BL02A-05-03-23	SLEEVE BUSHING
5	BL02A-05-03-18	SHAFT
6	BL02A-04-20	BUSHING
7	BL03-05-03-08	BUSHING
8	BL03-05-03-19	SHAFT
9	BL03-05-03-20A	NUT, SPECIAL
10	BL02A-05-03-23a	SLEEVE BUSHING
11	BL03-05-03-04	BOLT, SPECIAL
12	BL03-05-03-01	TABLE CASTING
13	BL03-05-03-16	STOP, RESPOT
14	GB/T 889.1-2000 M6	LOCKNUT
15	GB/T 80-2000 M8X20	SOCKET SET SCREW
16	GB/T 6170-2000 M8	NUT
17	GB/T 889.1-2000 M5	LOCKNUT
18	GB/T 889.1-2000 M8	LOCKNUT
19	BL03-05-21	PIN
20	GB/T 889.1-2000 M10	LOCKNUT
21	BL03-05-03-02	ACTUATING LINK
22	BL03-05-03-21	BOLT, SPECIAL
23	CF 8	ROD END BEARING
24	BL03-05-03-15	LEVER ASSEMBLY SPOT
25	GB/T 5783-2000 M10X40	HEX CAP SCREW
26	BL02A-05-03-12	LINK AND BEARING ASSEMBLY

ITEM	PART NO.	DESCRIPTION
27	BL03-05-03-06	CAM LINK BEARING ASSEMBLY
28	GB821-88 M6X40	SQUARE BOLT
29	GB/T 6170-2000 M6	NUT
30	GB/T 6170-2000 M6	NUT L.H.
31	BL03-05-03-11	PIN
32	BL02A-05-03-13	FINGER LEVER ASSEMBLY
33	GB879-86 3X24	ROLL PIN
34	BL02A-05-03-10	FINGER LINK
35	BL02A-05-03-07-00	PIVOT WELDMENT
36	SI 6F	ROD END BEARING L.H.
37	SI 6F	ROD END BEARING
38	BL03-05-03-14	LINK
39	GB/T 5783-2000 M6X25	HEX CAP SCREW
40	SA 10F	ROD END BEARING
41	GB/T 6170-2000 M10	NUT
42	GB/T 6170-2000 M10	NUT, L.H.
43	SA 10F	ROD END BEARING, L.H.
44	GB/T 5782-2000 M10X55	HEX CAP SCREW
45	GB848-85 10	WASHER
46	GB/T 5782-2000 M10X40	HEX CAP SCREW
47	BL03-05-01B	TIE ROD
48	BL03-05-01A	TIE ROD
49	BL03-05-03-03	SPRING
50	BL03-05-03-09	SPRING
51	GB821-88 M6X25	SQUARE BOLT
52		

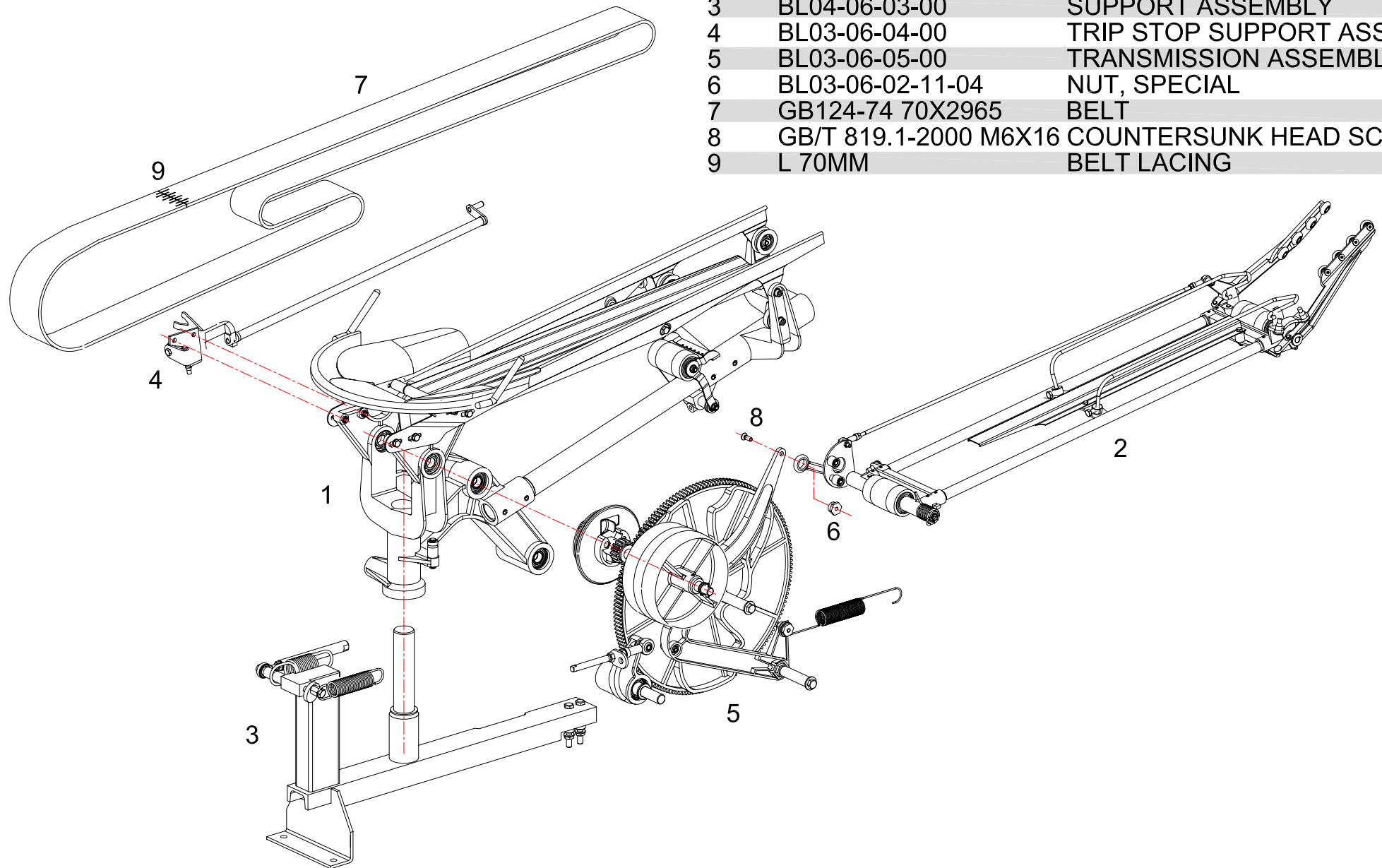
**TABLE ASSEMBLY BL03-05-00(CONTINUED)**





ITEM	PART NO.	DESCRIPTION
1	BL02A-05-08-01	BUMPER
2	BL03-05-08-02-00	RESPOT CELL FRAME WELDMENT
3	BL02A-05-08-03A	FINGER
4	BL02A-05-08-04A	ORIGINAL STYLE INSERT
5	BL02A-05-08-05-01	RIVET
6	BL02A-05-08-05-02-01	ARM RESPOT YOKE
7	BL02A-05-08-05-03	PLATE
8	BL03-05-08-05-04	YOKE,ARM ASSEMBLY
9	BL03-05-08-05-05-00A	INSERT ASSEMBLY
10	BL02A-05-08-05-06	FLANGE BUSHING
11	BL03-05-08-05-07A	STOP SCREW
12	BL02A-05-08-05-08	SPRING
13	BL03-05-08-06	STUD-LONG
14	BL03-05-08-07	STUD-SHORT
15	BL02A-05-08-08	WASHER
16	BL02A-05-08-09	SHAFT
17	BL02A-05-08-10-01	LEVER RESPOT
18	BL03-05-08-11A	STUD-PIVOT
19	BL02A-05-08-12	SPACER
20	BL02A-05-08-14	BUSHING
21	BL02A-05-08-15	FLANGE BUSHING
22	BL02A-05-19	SLEEVE BUSHING
23	BLB001-06	X WASHER
24	GB/T 889.1-2000 M6	LOCKNUT
25	GB/T 70.1-2000 M5X16	SOCKET HEAD CAP SCREW
26	GB/T 70.1-2000 M5X10	SOCKET HEAD CAP SCREW
27	GB/T 819.1-2000 M3X16	COUNTERSUNK HEAD SCREW
28		

ITEM	PART NO.	DESCRIPTION
1	BL03-06-01-00	MAIN SUPPORT ASSEMBLY
2	BL03-06-02-00	TUBE ASSEMBLY
3	BL04-06-03-00	SUPPORT ASSEMBLY
4	BL03-06-04-00	TRIP STOP SUPPORT ASS.
5	BL03-06-05-00	TRANSMISSION ASSEMBLY
6	BL03-06-02-11-04	NUT, SPECIAL
7	GB124-74 70X2965	BELT
8	GB/T 819.1-2000 M6X16	COUNTERSUNK HEAD SCREW
9	L 70MM	BELT LACING

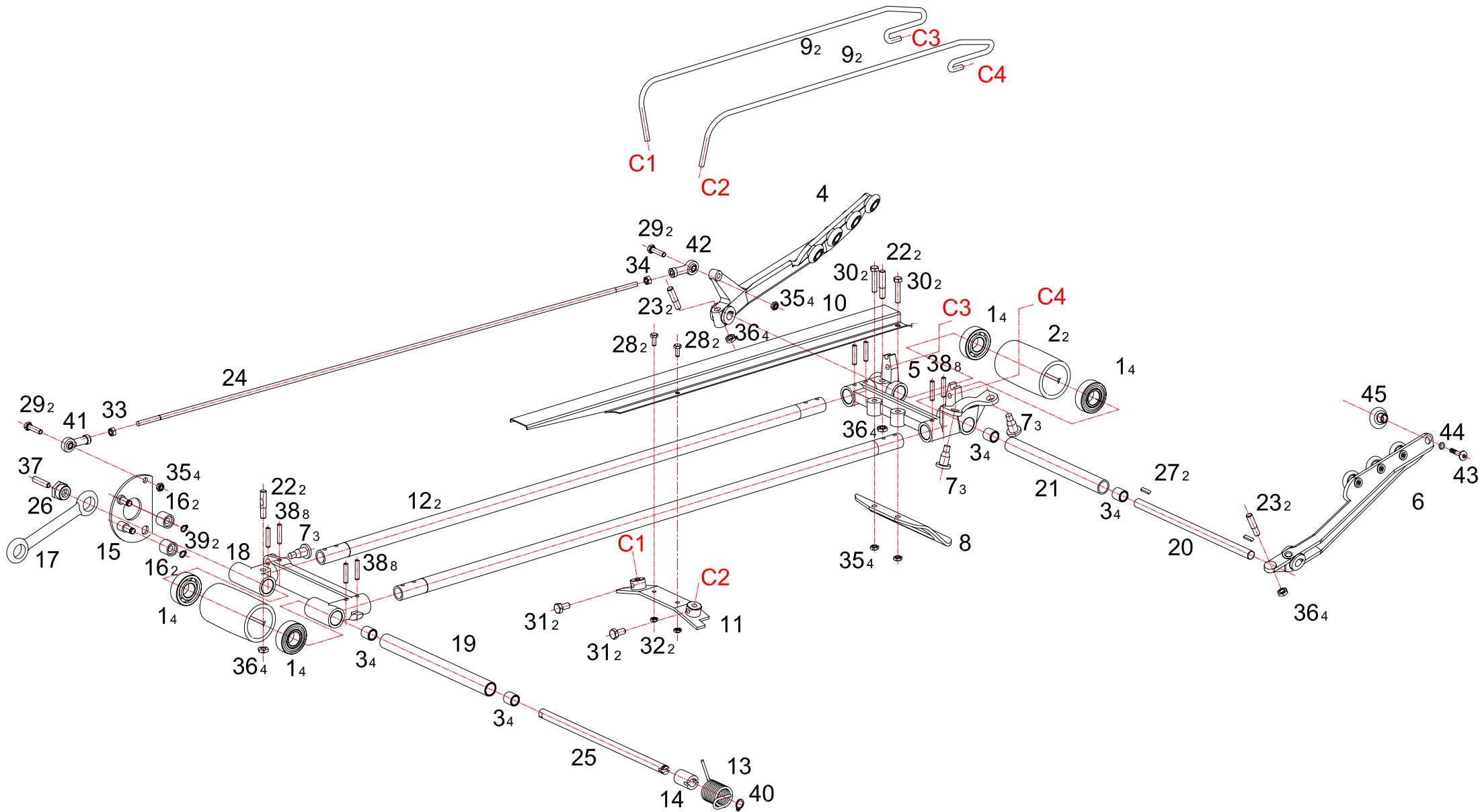




ITEM	PART NO.	DESCRIPTION
1	BL03-06-01-01	MAIN CASTING
2	BL02A-06-01-02	CARRIAGE SUPPORT TUBE
3	BL02A-06-01-03	CARRIAGE SUPPORT CASTING
4	BL03-06-01-04-00	BELT TIGHT ASSEMBLY
5	BL03-06-01-05-00	PULLEY ASSEMBLY
6	BL03-06-01-06-00	PARTIALITY PULLEY ASSEMBLY
7	BL03-06-01-07-00	PULLEY ASSEMBLY
8	BL02A-06-01-08	SPRING
9	BL03-06-01-09	CLAMP STUD
10	BL03-06-01-10	SUPPORT GUIDE L.H.
11	BL03-06-01-11	HEX HEAD CAP SCREW
12	BL02A-06-01-12	SPACER INNER
13	BL03-06-01-13	BELT RUNNER REAR
14	BL03-06-01-13A-00	ROLLER ASSEMBLY
15	BL02A-06-01-14	SPACER OUTER
16	BL03-06-01-15	SUPPORT GUIDE R.H.
17	BL02A-06-01-16	SPACER BEARING
18	BL02A-06-01-17	SPRING POST SLEEVE
19	BL02A-06-01-18	SPRING POST PIN
20	BL03-06-01-19-00	ORIENTOR PAN WELDMENT
21	BL02A-06-01-20-00	SPYRALIGN BEARING
22	DK31.75X38.1X25.4	BEARING
23	HK31.75X38.1X25.4	BEARING
24	NTA2031	THRUST BEARING
25	GB/T 70.3-2000 M6X30	FLAT SOCKET CAP SCREW
26	GB/T 5783-2000 M6X25	HEX CAP SCREW
27	GB/T 5783-2000 M6X30	HEX CAP SCREW
28	GB/T 889.1-2000 M6	LOCKNUT
29	GB/T 70.1-2000 M6X20	SOCKET HEAD CAP SCREW
30	GB879-86 8X45	ROLL PIN

ITEM	PART NO.	DESCRIPTION
31	GB893-1-86 55	RETAINING RING
32	GB893.1-86 35	RETAINING RING
33	GB894.1-86 9	RETAINING RING
34	GB97.1-85 6	FLAT WASHER
35	99502H	BEARING
36	BL02A-02-30	SPACER-ROLLER
37	BL02A-06-01-04-01	TRACKING BRACKET
38	BL02A-06-01-04-02-01	PULLEY
39	BL02A-06-01-04-03-01	TUBE-BELT TIGHTENER
40	BL02A-06-01-04-03-02	SLEEVE BUSHING
41	BL02A-06-01-04-06	SPRING POST SLEEVE
42	BL03-06-01-04-07	BOLT, SPECIAL
43	BL02A-06-01-04-08	LINK
44	HK 0808	BEARING
45	GB97.1-85 5	FLAT WASHER
46	GB93-87 5	SPRING WASHER
47	GB/T 70.1-2000 M5X16	SOCKET HEAD CAP SCREW
48	BL03-06-01-13A-01	SLEEVE
49	BL03-06-01-13A-02	WASHER,SPECIAL
50	BL03-06-01-13A-03	SHAFT
51	BL03-06-01-13A-04	WHEEL SLEEVE
52	BL03-06-01-05-01-00	V STYLE PULLEY
53	BL03-06-01-05-02	PIN
54	BL03-06-01-06-01	PARTIALITY PIN
55	BL03-06-01-07-01	PIN
56	GB278-82 80202	BEARING
57		
58		
59		
60		





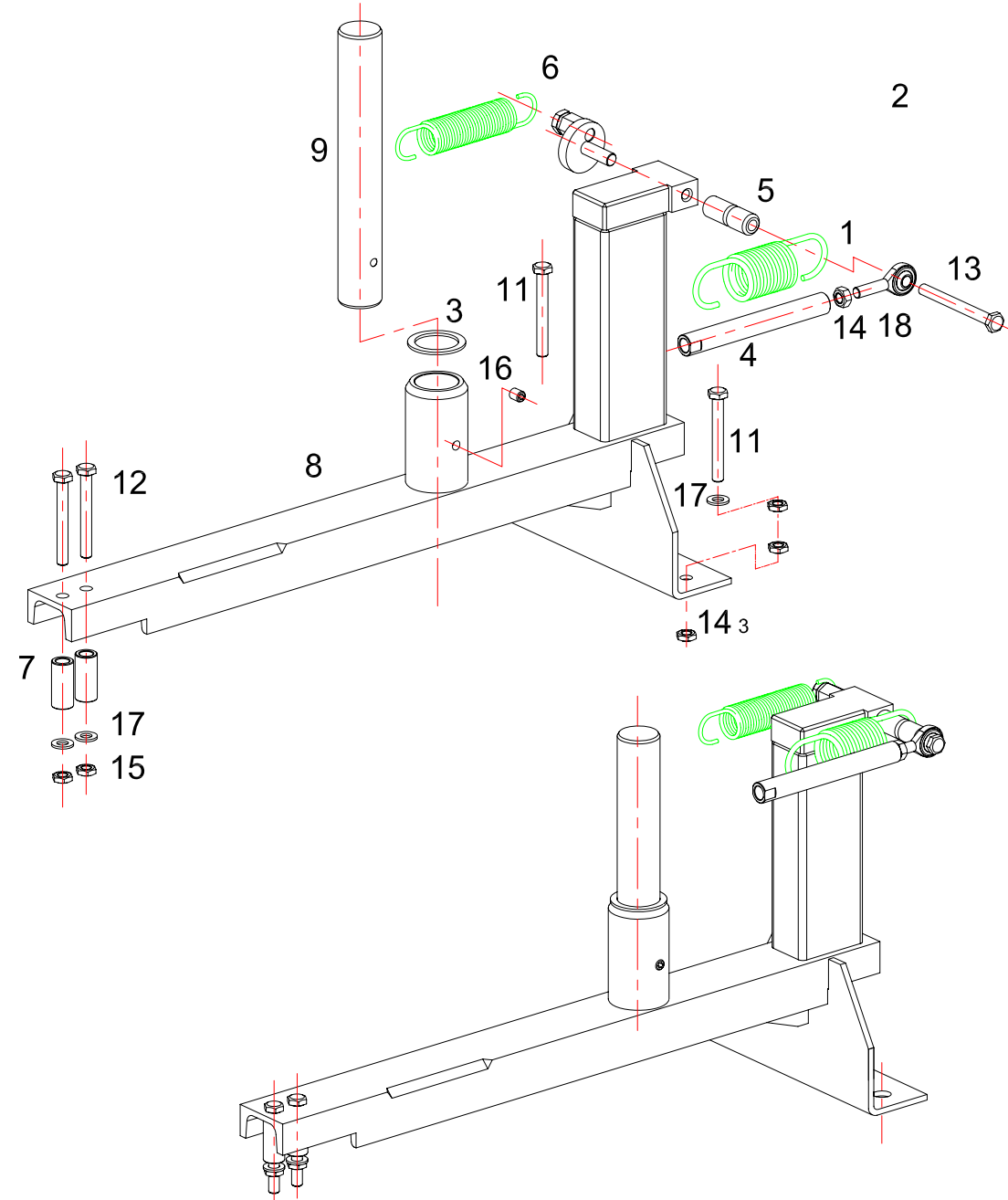
ITEM	PART NO.	DESCRIPTION
1	99502H	BEARING
2	BL02A-06-01-04-02-01	PULLEY
3	BL02A-06-01-04-03-02	SLEEVE BUSHING
4	BL02A-06-02-01-00A	TRIP ARM ASSEMBLY R.H.
5	BL02A-06-02-02	FRONT CARRIAGE
6	BL02A-06-02-03-00A	TRIP ARM ASSEMBLY L.H.
7	BL02A-06-02-04	BUMPER
8	BL02A-06-02-06	BELT GUAED
9	BL02A-06-02-07	PIN GUIDE
10	BL02A-06-02-08-01	BELT RUNNER SUPPORT
11	BL02A-06-02-08-02-00	BELT RUNNER BRACKET
12	BL02A-06-02-09	TUBE
13	BL02A-06-02-11-02	SPRING
14	BL02A-06-02-11-03	COLLAR
15	BL02A-06-02-11-05-00	TRIP ROCKER ARM WELDMENT
16	BL02A-06-02-11-06	ROLLER
17	BL02A-06-02-12	CONNECTING LINK
18	BL02A-06-02-13	REAR CARRIAGE
19	BL02A-06-02-14-01	TUBE MIDDLE
20	BL02A-06-02-15	SHAFT
21	BL02A-06-02-16-01	TUBE FRONT
22	BL03-06-01-09	CLAMP STUD
23	BL03-06-02-05	CLAMP STUD
24	BL03-06-02-10-01	LINK
25	BL03-06-02-11-01	SHAFT
26	BL03-06-02-11-04	NUT SPECIAL

ITEM	PART NO.	DESCRIPTION
27	BL03-06-02-17	KEY
28	GB/T 5783-2000 M4X10	HEX CAP SCREW
29	GB/T 5783-2000 M5X25	HEX CAP SCREW
30	GB/T 5783-2000 M5X25	HEX CAP SCREW
31	GB/T 5783-2000 M6X12	HEX CAP SCREW
32	GB/T 6170-2000 M4	NUT
33	GB/T 6170-2000 M5	NUT
34	GB/T 6170-2000 M5	NUT, L.H.
35	GB/T 889.1-2000 M5	LOCKUNT
36	GB/T 889.1-2000 M6	LOCKNUT
37	GB/T 80-2000 M6X20	SOCKET SET SCREW
38	GB879-86 4X24	ROLL PIN
39	GB894.1-86 6	RETAINING RING
40	GB894.1-86 9	RETAINING RING
41	SI 5F	END FITTING
42	SI 5F L.H.	END FITTING L.H.
43	GB/T 70.2-2000 M5X16	SCREW PHIL HEAD TRUSS
44	GB862.2-2000 5	WASHER STAR
45	BL03-02-12-00A	BEARING FIELD PRL
46		
47		
48		
49		
50		
51		
52		

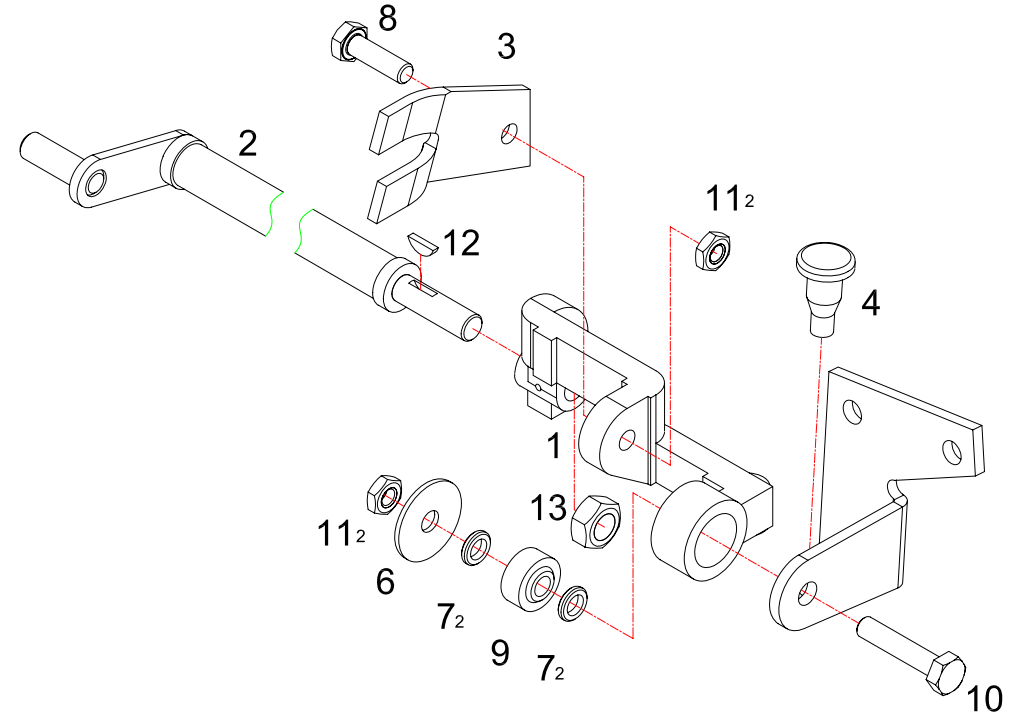




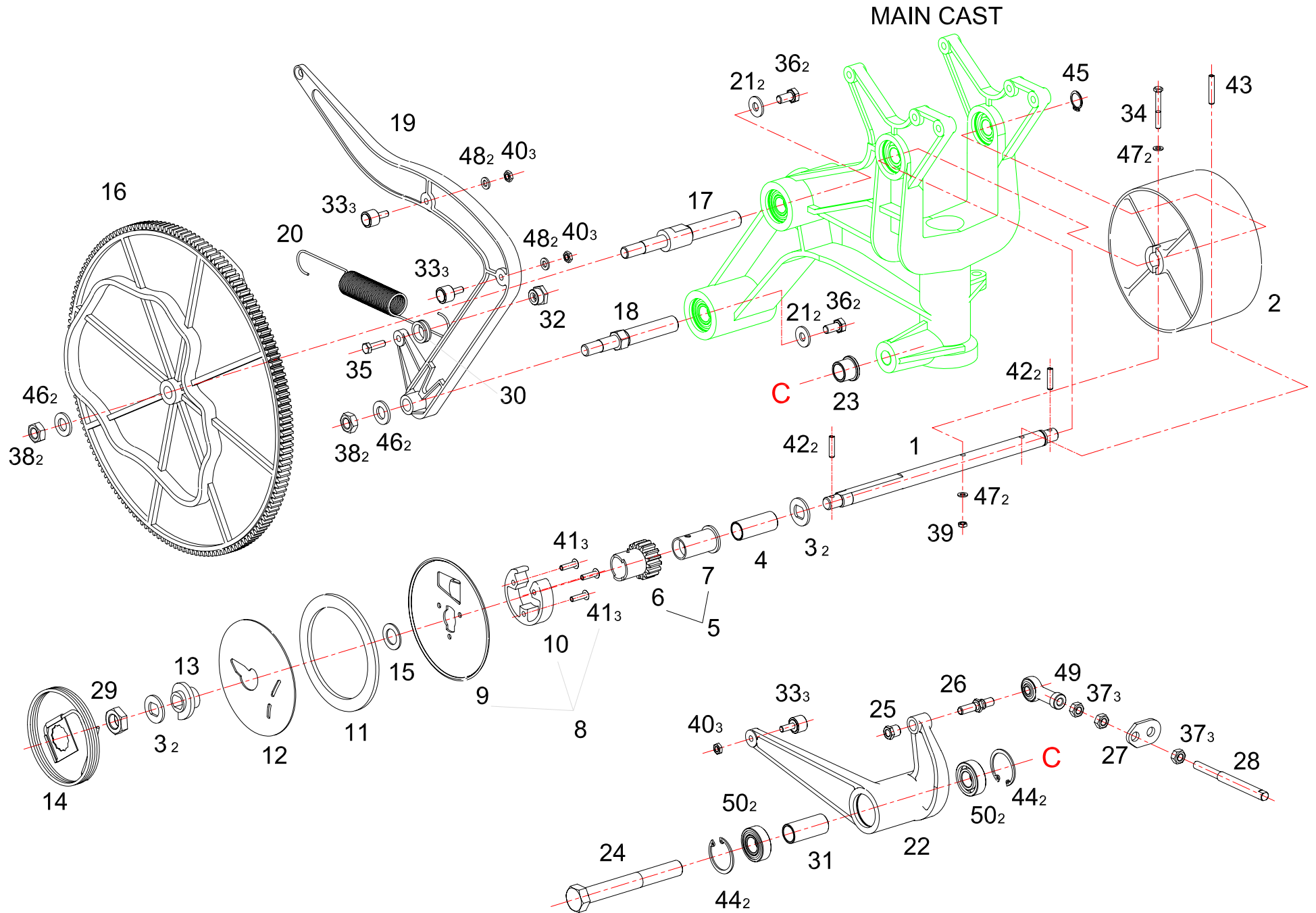
ITEM	PART NO.	DESCRIPTION
1	BL02A-06-03-01	SAFETY LINK SPRING
2	BL02A-06-03-02	LATERAL DRIVE SPRING
3	BL02A-06-03-11	WASHER
4	BL03-06-03-03	SAFETY LINK TUBE
5	BL03-06-03-04	SPACER CLAMP
6	BL04-06-03-05-00	ECCENTRICITY WHEEL
7	BL03-06-03-07	SLEEVE
8	BL04-06-03-01-00	DISTRIBUTOR MOUNT WELDMENT
9	BL04-06-03-02	DISTRIBUTOR SUPPORT
10		
11	GB/T 5782-2000 M8X100	HEX CAP SCREW
12	GB/T 5782-2000 M8X70	HEX CAP SCREW
13	GB/T 5782-2000 M8X80	HEX CAP SCREW
14	GB/T 6170-2000 M8	NUT
15	GB/T 889.1-2000 M8	LOCKNUT
16	GB/T 80-2000 M8X12	SOCKET SET SCREW
17	GB97.1-85 8	FLAT WASHER
18	SA 8F	ROD END BEARING



ITEM	CATALOG	DESCRIPTION
1	BL03-06-04-01-01B	SUPPORT
2	BL03-06-04-01-02-00B	TRIP STOP ROD SUPPORT
3	BL02A-06-04-02	STOP BLADE
4	BL02A-06-02-04	BUMPER
5	BL02A-06-04-03	TRIP STOP SUPPORT
6	BL03-06-04-04	WASHER
7	BL03-06-04-05	RING
8	GB/T 5783-2000 M6×20	BOLT
9	SCP6	FITTING
10	GB/T 5783-2000 M6×30	BOLT
11	GB/T 889.1-2000 M6	LOCKNUT
12	GB1099-79 3X5X13	KEY
13	GB/T 889.1-2000 M8	LOCKNUT



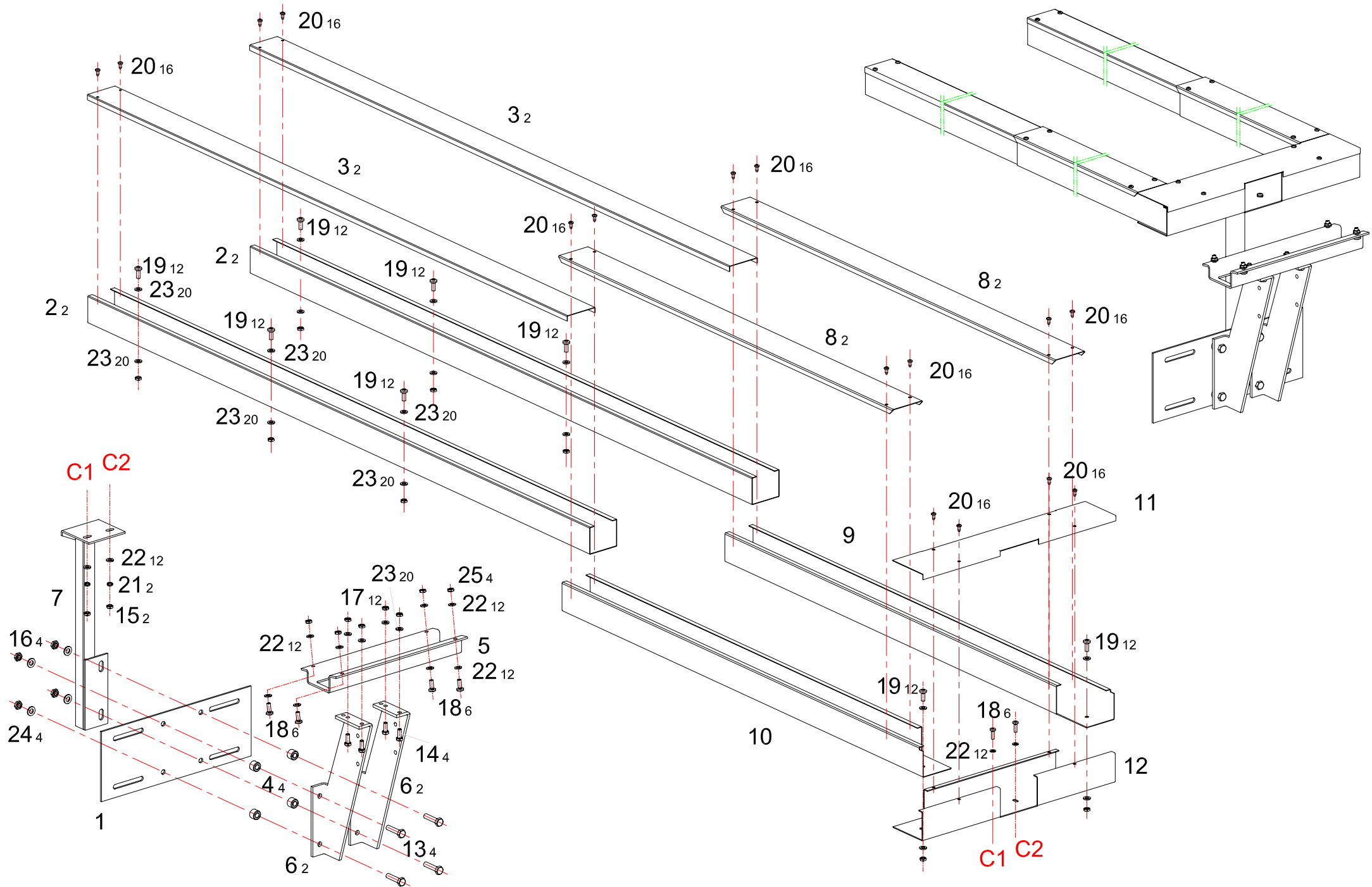




ITEM	PART NO.	DESCRIPTION
1	BL03-06-05-01	SHAFT DRIVE DISTRIBUTOR
2	BL02A-06-05-02	PULLEY
3	BL02A-06-05-03	THRUST WASHER
4	BL02A-06-05-04	PINION SLEEVE
5	BL02A-06-05-06-00	PINION & SLEEVE
6	BL02A-06-05-06-01	PINION
7	BL02A-06-05-06-02	BUSHING PINION
8	BL02A-06-05-07-00	CLUTCH PLATE ASSEMBLY
9	BL02A-06-05-07-01	CLUTCH PLATE
10	BL02A-06-05-07-02	ORIENTATION SLEEVE
11	BL02A-06-05-08	FRICITION DISC.
12	BL02A-06-05-09	CLUTCH PALTE DRIVE
13	BL02A-06-05-10	DISTRIBUTOR WORM GEAR
14	BL02A-06-05-11-00	SPRING ASSEMBLY
15	BL02A-06-05-12	WASHER
16	BL02A-06-05-13	DISTRIBUTOR INDEXING CAM
17	BL03-06-05-14	SHAFT CAM SUPPORT
18	BL03-06-05-15	SHAFT ARM
19	BL03-06-05-16-01	ARM
20	BL02A-06-05-17	SPRING
21	BL02A-06-05-18	WASHER
22	BL03-06-05-19-01	DRIVE ARM
23	BL02A-06-05-19-02	CLAMP RACE
24	BL03-06-05-19-03	BOLT, SPECIAL
25	BL03-06-05-19-04	NUT, SPECIAL
26	BL03-06-05-19-05	SHAFT

ITEM	PART NO.	DESCRIPTION
27	BL02A-06-05-19-06	SUPPORT SPRING DISTRIBUTOR
28	BL02A-06-05-19-07	ROD, SAFETY LINK DISTRIBUTOR
29	BL03-06-05-20	NUT, SPECIAL
30	BL02A-06-01-04-06	SPRING POST SLEEVE
31	BL02A-06-01-16	SPACER BEARING
32	BL03-06-02-11-04	NUT, SPECIAL
33	CF 6	CAM FOLLOWER
34	GB/T 5782-2000 M4X40	HEX CAP SCREW
35	GB/T 5783-2000 M6X25	HEX CAP SCREW
36	GB/T 5783-2000 M8X16	HEX CAP SCREW
37	GB/T 6170-2000 M8	NUT
38	GB/T 889.1-2000 M12	LOCK NUT
39	GB/T 889.1-2000 M4	LOCK NUT
40	GB/T 889.1-2000 M6	LOCK NUT
41	GB873-86 5X15	RIVET
42	GB879-86 5X22	ROLL PIN
43	GB879-86 5X30	ROLL PIN
44	GB893.1-86 35	RETAINING RING
45	GB894.1-86 16	RETAINING RING
46	GB97.1-85 12	FLAT WASHER
47	GB97.1-85 5	FLAT WASHER
48	GB97.1-85 6	FLAT WASHER
49	SI 8F	ROD END BEARING
50	99502H	BEARING
51		
52		

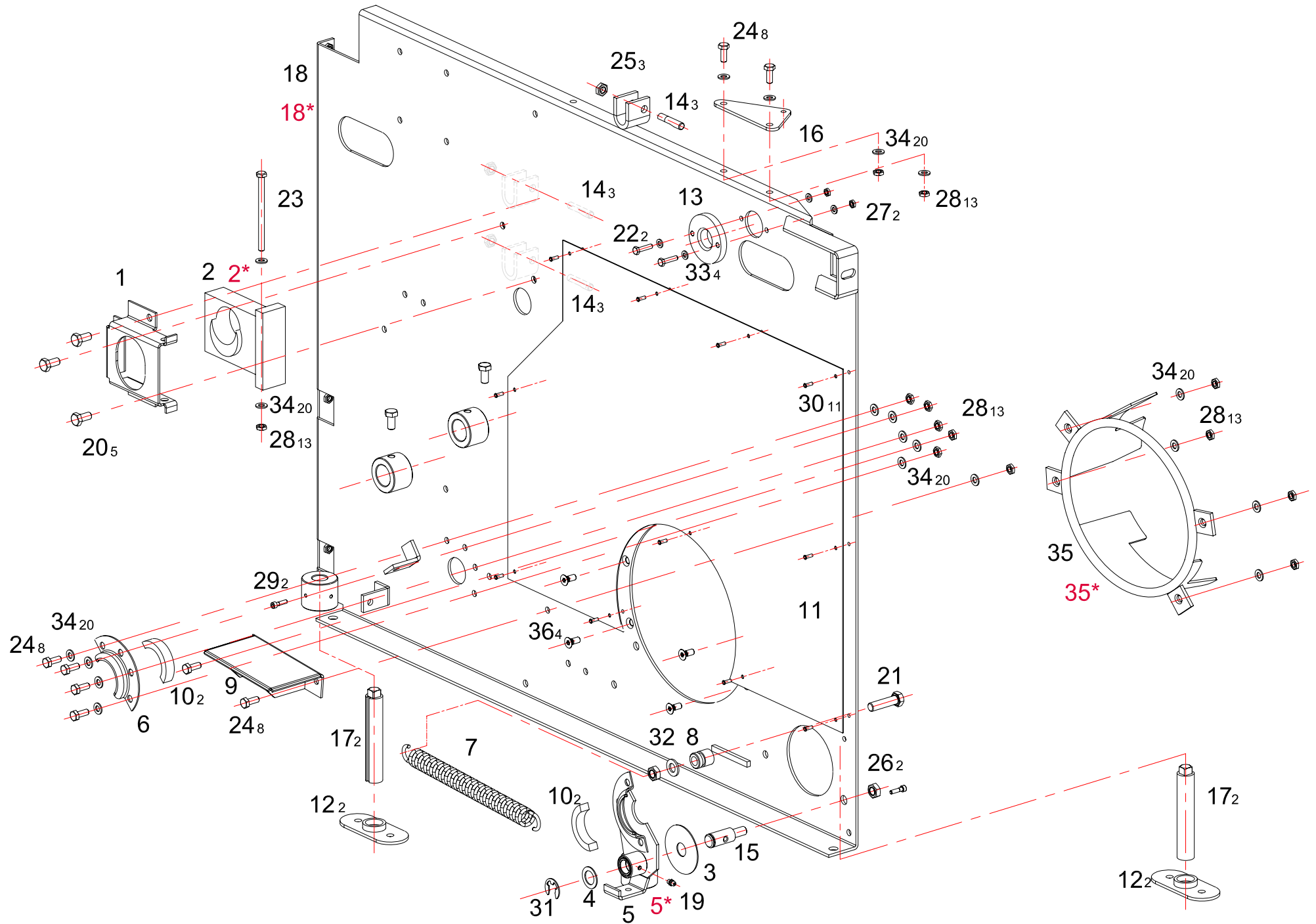




ITEM	PART NO.	DESCRIPTION
1	BL03-07-03	FIXED BOARD
2	BL03-07-04-02	REAR WIREWAY
3	BL03-07-04-03B	REAR WIREWAY COVER
4	BL03-07-07A	THICK BUSHING
5	BL05-07-01	SWITCH BOX SUPPORT
6	BL05-07-02	BRACKET
7	BL05-07-08-00	WIREWAY BRACKET
8	CEBL05B-07-04-01	FRONT WIREWAY COVER
9	CEBL05B-07-04-02A	FRONT WIREWAY R.H.
10	CEBL05B-07-04-02B	FRONT WIREWAY L.H.
11	CEBL05B-07-04-03	SHORT WIREWAY COVER
12	CEBL05B-07-04-04	SHORT WIREWAY
13	GB/T5783-2000 M8X20	HEX CAP SCREW
14	GB/T5783-2000 M6X16	HEX CAP SCREW
15	GB/T6170-2000 M5	NUT
16	GB/T889.1-2000 M8	LOCKNUT
17	GB/T889.1-2000 M6	LOCKNUT
18	GB818-85 M5X16	PAN HEAD SCREW
19	GB818-85 M6X16	PAN HEAD SCREW
20	GB845-85 M4X10	PAN HEAD SCREW
21	GB93-87 5	SPRING WASHER
22	GB97.1-85 5	FLAT WASHER
23	GB97.1-85 6	FLAT WASHER
24	GB97.1-85 8	FLAT WASHER
25	GB/T889.1-2000 M5	LOCKNUT
26		

ITEM	PART NO.	DESCRIPTION
------	----------	-------------



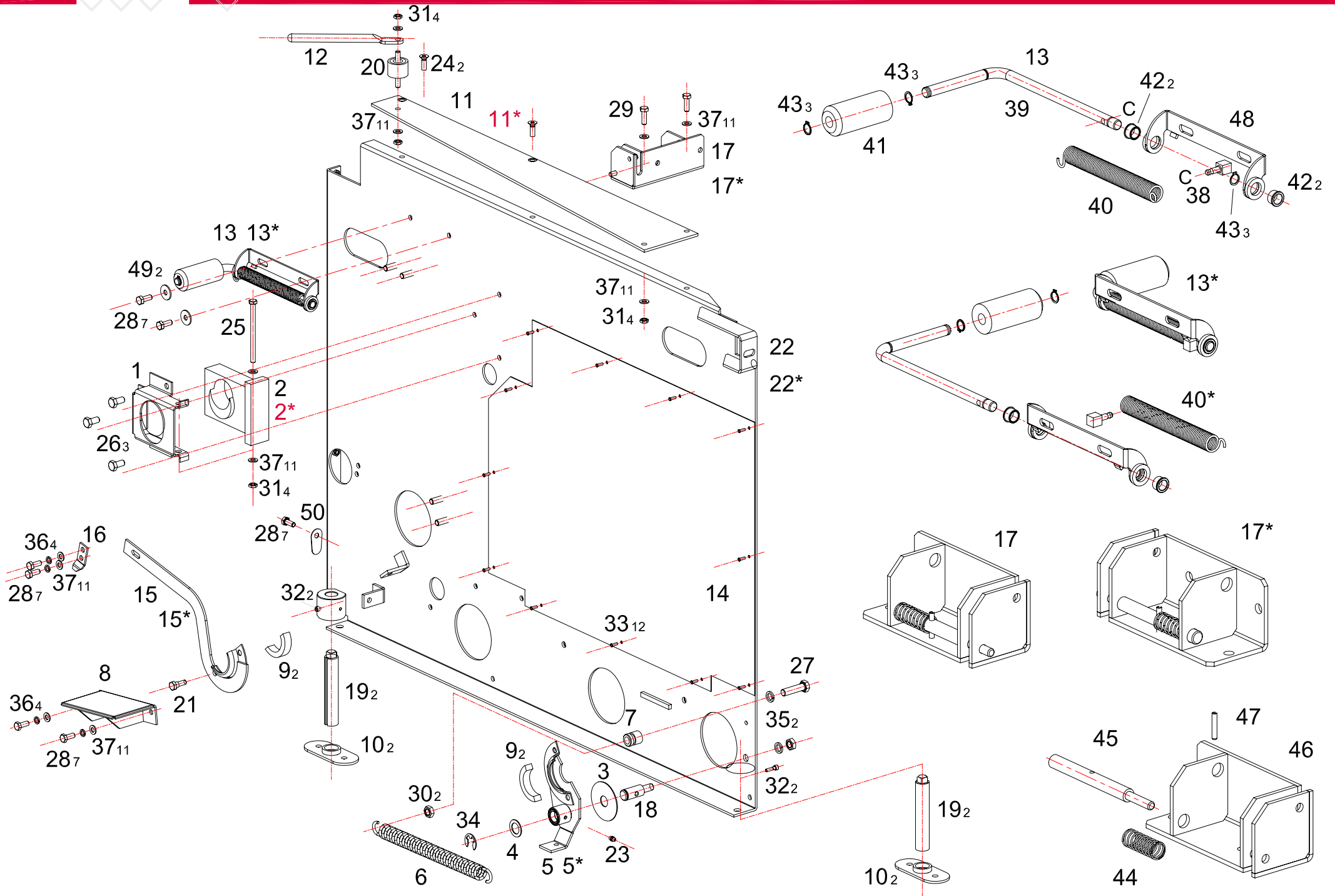


ITEM	PART NO.	DESCRIPTION
1	BL02A-09-01	SUPPORT BOX
2	BL02A-09-02	URETHANE CUSHION BLOCK, R.H.
2*	BL02A-11-02	URETHANE CUSHION BLOCK, L.H.
3	BL02A-09-06	THRUST BEARING
4	BL02A-09-08	WASHER
5	BL02A-09-09-00A	BEARING SUPPORT ASSEMBLY,R.H. FOR L.H. MACH.
5*	BL02A-09-09-00C	BEARING SUPPORT ASSEMBLY,L.H. FOR R.H. MACH.
6	BL02A-09-09-03	BEARING RETAINER
7	BL02A-09-12	SPRING
8	BL02A-09-13	SPRING POST SLEEVE
9	BL02A-09-14-00	ANGLE
10	BL02A-09-16	BEARING SUPPORT
11	BL02A-09-19	PANEL
12	BL02A-09-22-00	FOOT SUPPORT WELDMENT
13	BL02A-11-04	BUSHING - CURTAIN ROD
14	BL03-09-04	CLAMP STUD
15	BL03-09-07	STEEL RIVET
16	BL03-09-11	STOP BRACKET
17	BL03-09-20	SET SCREW, SPECIAL
18	BL04-09-21-00	KICKBACK WELDMENT, R.H. SIDE, FOR L.H. MACHINE
18*	BL04-11-03-00	KICKBACK WELDMENT, L.H.SIDE, FOR R.H. MACHINE
19	GB1152-89 M6	GREASE FITTING
20	GB/T 5783-2000 M10X20	HEX CAP SCREW
21	GB/T 5782-2000 M12X45	HEX CAP SCREW
22	GB/T 5783-2000 M6X25	HEX CAP SCREW
23	GB/T 5782-2000 M8X110	HEX CAP SCREW
24	GB/T 5783-2000 M8X20	HEX CAP SCREW
25	GB/T 889.1-2000 M10	LOCKNUT

ITEM	PART NO.	DESCRIPTION
26	GB/T 889.1-2000 M12	LOCKNUT
27	GB/T 889.1-2000 M6	LOCKNUT
28	GB/T 889.1-2000 M8	LOCKNUT
29	GB/T 70.1-2000 M5X20	SOCKET HEAD CAP SCREW
30	GB12618-90 5X13	RIVET
31	GB896-86 15	RETAINING RING
32	GB97.1-85 12	FLAT WASHER
33	GB97.1-85 6	FLAT WASHER
34	GB97.1-85 8	FLAT WASHER
35	BL03-08-21-00A	DOOR WELDMENT-R.H.
35*	BL03-08-21-00B	DOOR WELDMENT-L.H.
36	GB/T 70.3-2000 M8X20	FLAT SOCKET CAP SAREW
37		
38		
39		
40		
41		
42		
43		
44		
45		
46		
47		
48		
49		
50		
51		
52		
53		
54		
55		
56		







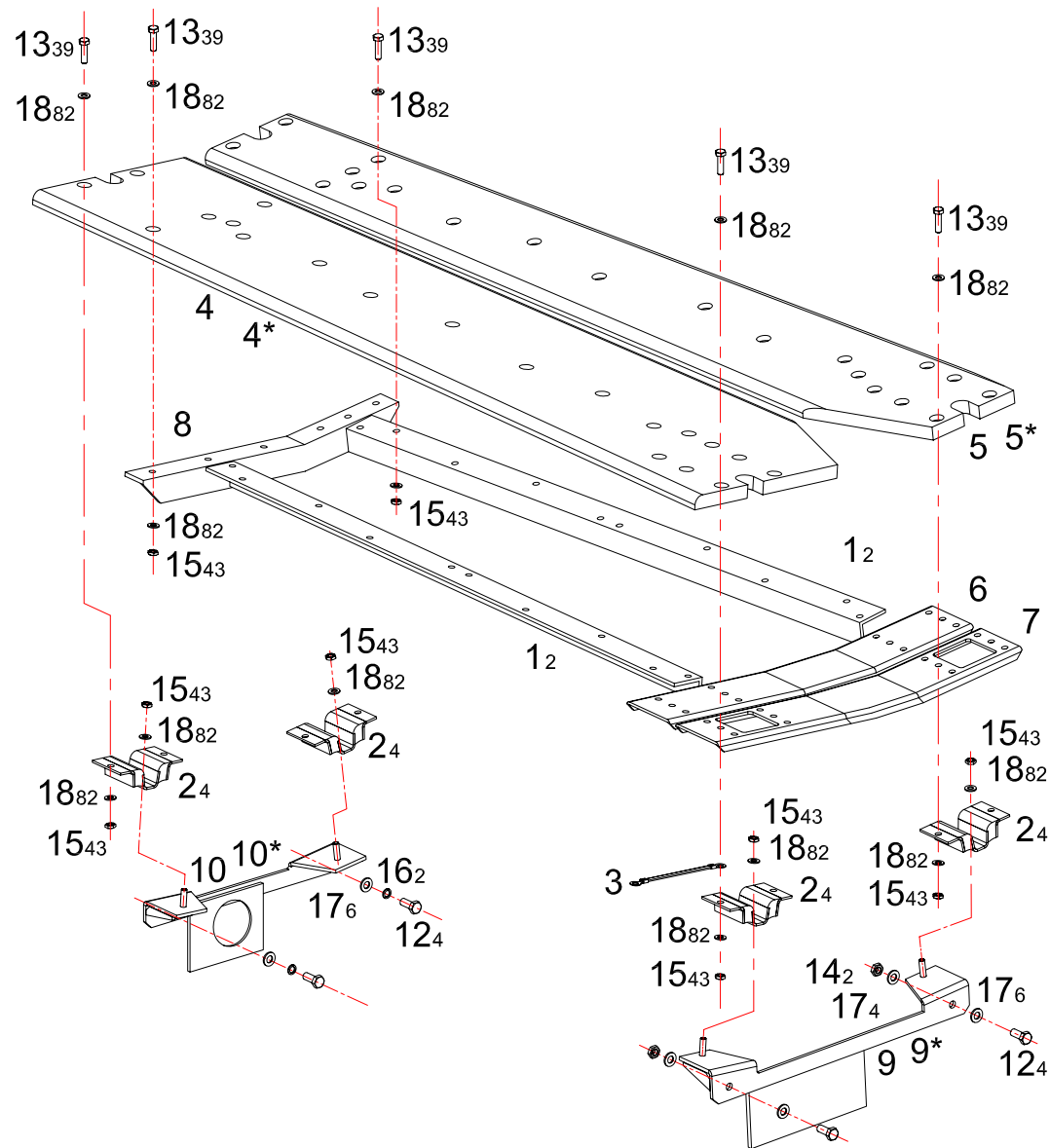
ITEM	PART NO.	DESCRIPTION
1	BL02A-09-01	SUPPORT BOX
2	BL02A-09-02	URETHANE CUSHION BLOCK, R.H.
2*	BL02A-11-02	URETHANE CUSHION BLOCK, L.H.
3	BL02A-09-06	THRUST BEARING
4	BL02A-09-08	WASHER
5	BL02A-09-09-00B	BEARING SUPPORT ASSEMBLY,R.H. FOR R.H. MACH.
5*	BL02A-09-09-00D	BEARING SUPPORT ASSEMBLY,L.H. FOR L.H. MACH.
6	BL02A-09-12	SPRING
7	BL02A-09-13	SPRING POST PIN
8	BL02A-09-14-00	ANGLE
9	BL02A-09-16	BEARING SUPPORT
10	BL02A-09-22-00	FOOT SUPPORT WELDMENT
11	BL02A-10-01	L.H.TRES D WELDMENT
11*	BL02A-12-01	R.H.TRES D WELDMENT
12	BL02A-10-03	PIN EJECTOR
13	BL02A-10-04-00A	ROLLER ASSEMBLY R.H.
13*	BL02A-10-04-00B	ROLLER ASSEMBLY L.H.
14	BL02A-10-05	PANEL
15	BL02A-10-06-00B	SUPPORT WELDMENT R.H.
15*	BL02A-10-06-00A	SUPPORT WELDMENT L.H.
16	BL02A-10-08	BRACKET
17	BL02A-10-10-00B	SUPPORT BRACKET ASSEMBLY R.H.
17*	BL02A-10-10-00A	SUPPORT BRACKET ASSEMBLY L.H.
18	BL03-09-07	PIVOT STUD
19	BL03-09-20	SET SCREW, SPECIAL
20	BL03-10-02-00	RUBBER SHOCK MOUNTING
21	BL03-10-07	STEEL RIVET
22	BL04-10-09-00	KICKBACK WELDMENT, R.H. SIDE, FOR R.H. MACHINE
22*	BL04-12-03-00	KICKBACK WELDMENT, L.H.SIDE,

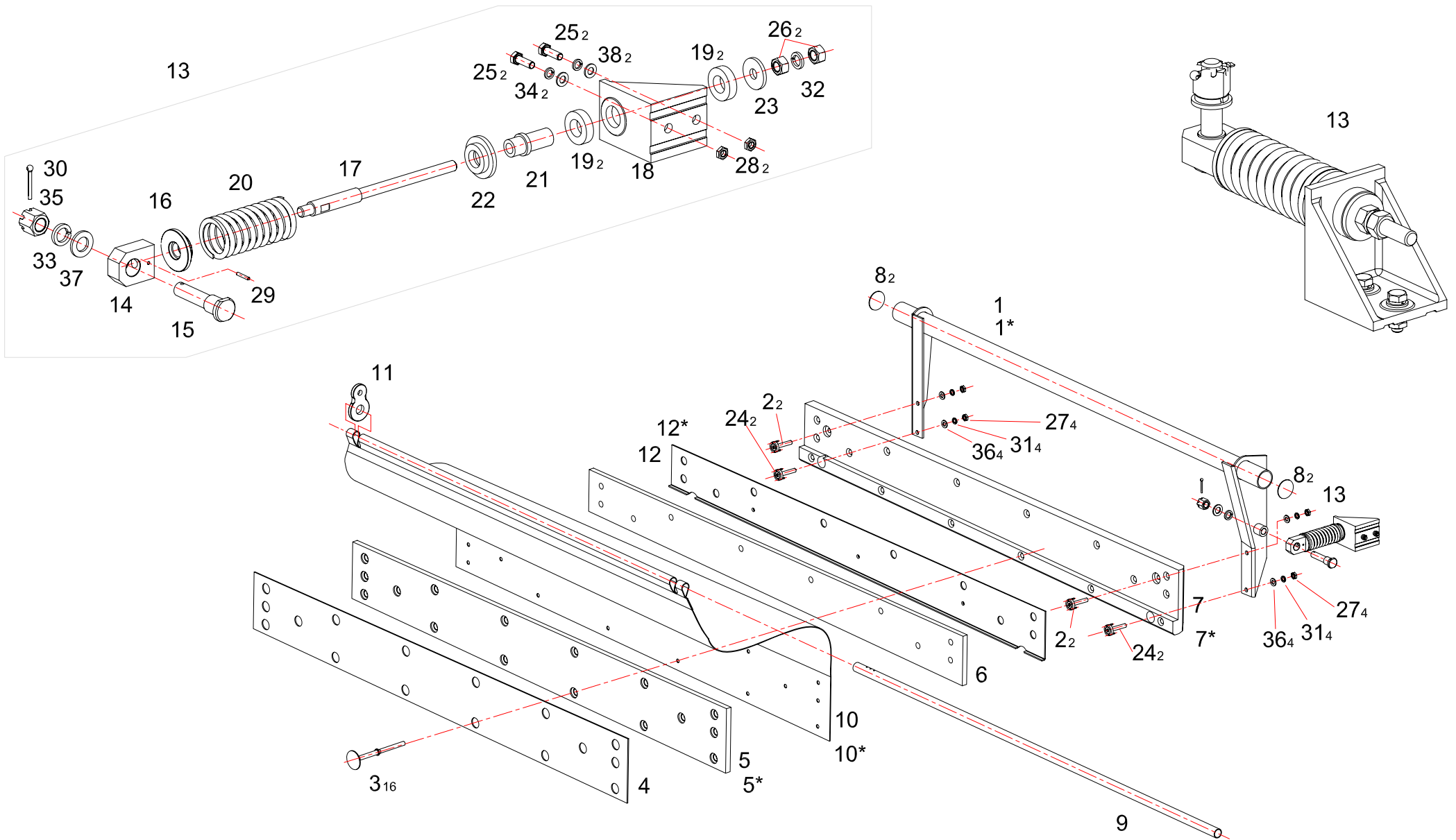
ITEM	PART NO.	DESCRIPTION
		FOR L.H. MACHINE
23	GB1152-89 M6	GREASE FITTING
24	GB/T 70.3-2000 M8X25	FLAT SOCKET CAP SCREW
25	GB/T 5782-2000 M8X110	HEX CAP SCREW
26	GB/T 5783-2000 M10X20	HEX CAP SCREW
27	GB/T 5782-2000 M12X45	HEX CAP SCREW
28	GB/T 5783-2000 M8X20	HEX CAP SCREW
29	GB/T 5783-2000 M8X25	HEX CAP SCREW
30	GB/T 889.1-2000 M12	LOCKNUT
31	GB/T 889.1-2000 M8	LOCKNUT
32	GB/T 70.1-2000 M5X20	SOCKET HEAD CAP SCREW
33	GB12618-90 5X13	RIVET
34	GB896-86 15	RETAINING RING
35	GB93-87 12	SPRING WASHER
36	GB93-87 8	SPRING WASHER
37	GB97.1-85 8	FLAT WASHER
38	BL02A-10-04-02	PIN STOP
39	BL02A-10-04-03	SHAFT
40	BL02A-10-04-04B	SPRING L.H.
40*	BL02A-10-04-04A	SPRING R.H.
41	BL02A-10-04-05	ROLLER
42	BL02A-10-04-06	FLANGED BUSHING
43	GB894.1-86 12	RETAINING RING
44	BL02A-10-10-01	SPRING
45	BL02A-10-10-02	CURTAIN LATCH PIN
46	BL02A-10-10-03-00	SUPPORT BRACKET WELDMENT
47	GB879-86 4X24	ROLL PIN
48	BL02A-10-04-01-00	BRACKET WELDMENT
49	BL03-55B-10	WASHER
50	BL03-10-11	GROUNGING SIGN



ITEM	PART NO.	DESCRIPTION
------	----------	-------------

1	BL02A-14-04	REINFORCING BAR
2	BL02A-14-06-00	VIBRATION DAMPENER
3	BL02A-14-08	BONDING STRAP
4	BL03-14-01L	BOUNCE BOARD FRONT L.H.
4*	BL03-14-01R	BOUNCE BOARD FRONT R.H.
5	BL02A-14-02L	BOUNCE BOARD REAR L.H.
5*	BL02A-14-02R	BOUNCE BOARD REAR R.H.
6	BL02A-14-03	CHANNEL I
7	BL02A-14-03A	CHANNEL II
8	BL02A-14-05	ANGLE SUPPORT
9	BL03-14-07-00AL	PIT SUPPORT BRACKET L.H. FOR L.H. MACHINE
9*	BL03-14-07-00AR	PIT SUPPORT BRACKET R.H. FOR R.H. MACHINE
10	BL03-14-07-00BL	PIT SUPPORT BRACKET L.H. FOR L.H. MACHINE
10*	BL03-14-07-00BR	PIT SUPPORT BRACKET R.H. FOR R.H. MACHINE
11		
12	GB/T 5783-2000 M10X25	HEX CAP SCREW
13	GB/T 5783-2000 M8X30	HEX CAP SCREW
14	GB/T 889.1-2000 M10	LOCKNUT
15	GB/T 889.1-2000 M8	LOCKNUT
16	GB93-87 10	SPRING WASHER
17	GB97.1-85 10	FLAT WASHER
18	GB97.1-85 8	FLAT WASHER
19		
20		
21		





ITEM	PART NO.	DESCRIPTION
1	BL03-17-01-00	HANGER WELDMENT, L.H.
1*	BL03-17-02-00	HANGER WELDMENT, R.H.
2	BL03-17-03-00A	WASHER WELDMENT
3	BL02A-17-05	RIVET, RUBBER
4	BL02A-17-06	SMOOTHIE CUSHION FACING
5	BL02A-17-07A	CUSHION, L.H.
5*	BL02A-17-07B	CUSHION, R.H.
6	BL02A-17-08	CUSHION SPONGE
7	BL02A-17-09	WOOD CUSHION PLANK, L.H.
7*	BL02A-17-10	WOOD CUSHION PLANK, R.H.
8	BL02A-17-11	SHIELD
9	BL02A-17-12	CURTAIN ROD
10	BL02A-17-13	PIN CURTAIN, L.H.
10*	BL02A-17-13B	PIN CURTAIN, R.H.
11	BL02A-17-14	CURTAIN HANGER
12	BL02A-17-16	PANEL, L.H
12*	BL02A-17-15	PANEL, R.H
13	BL03-17-30-00	SHOCK ABSORBER COMPONETS
14	BL03-17-30-02	COLLAR
15	BL03-17-30-03	SHAFT
16	BL03-17-30-04	SPRING DISC I
17	BL03-17-30-05	ADJUSTING SHAFT
18	BL03-17-30-06	BRACKET
19	BL03-17-30-08	BUMPER RUBBER
20	BL03-17-30-09	SPRING
21	BL03-17-30-10	TUBE

ITEM	PART NO.	DESCRIPTION
23	BL03-17-30-11	SPRING DISC II
23	BL03-17-30-12	WASHER
24	BL03-17-03-00B	WASHER WELDMENT
25	GB/T 5783-2000 M8X25	HEX CAP SCREW
26	GB/T 6170-2000 M12	NUT
27	GB/T 889.1-2000 M10	LOCKNUT
28	GB/T 889.1-2000 M8	LOCKNUT
29	GB879-86 3X20	ROLL PIN
30	GB91-86 4X28	PIN
31	GB93-87 10	SPRING WASHER
32	GB93-87 12	SPRING WASHER
33	GB93-87 16	SPRING WASHER
34	GB93-87 8	SPRING WASHER
35	GB9458-88 M16X1.5	HEX SLOTTED NUT
36	GB97.1-85 10	FLAT WASHER
37	GB97.1-85 16	FLAT WASHER
38	GB97.1-85 8	FLAT WASHER
39		
40		
41		
42		
43		
44		
45		
46		
47		



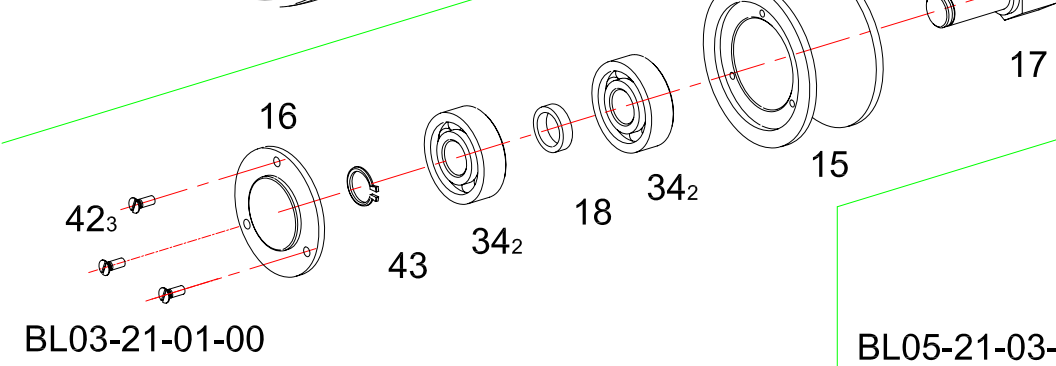
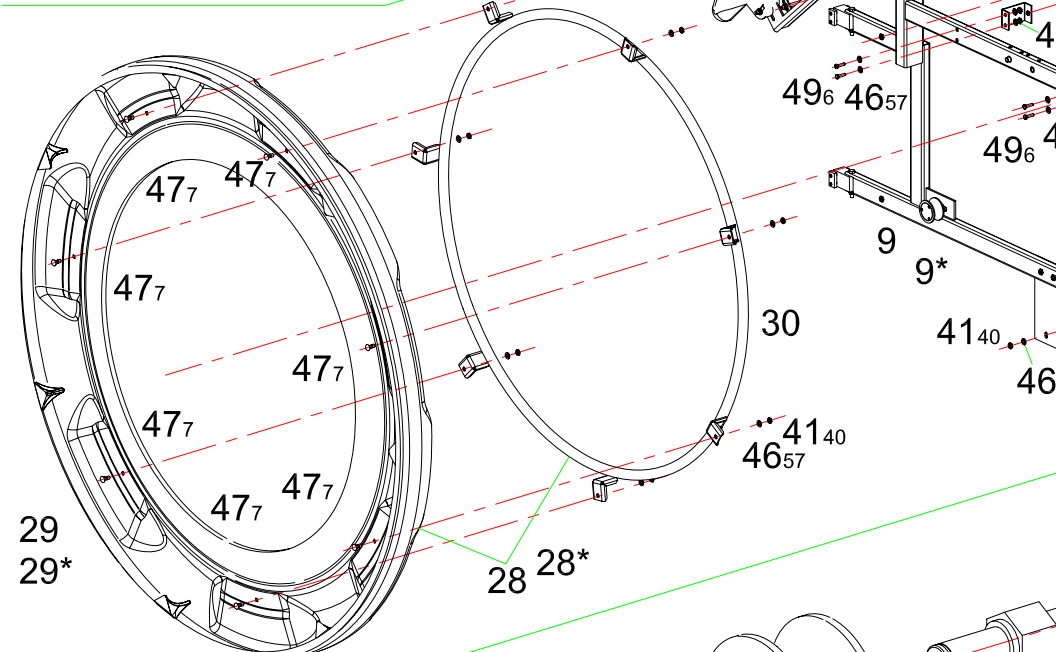
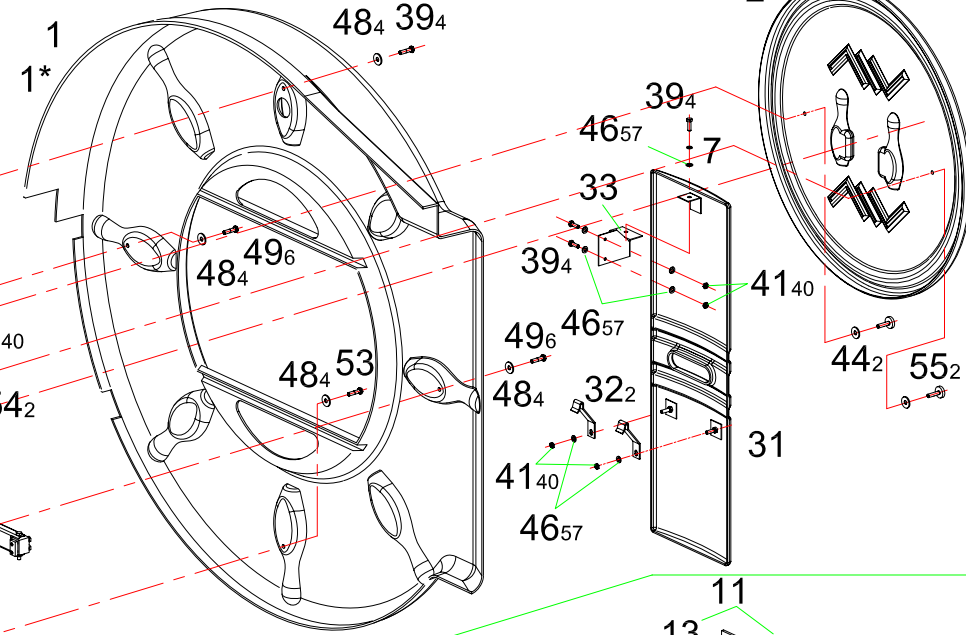
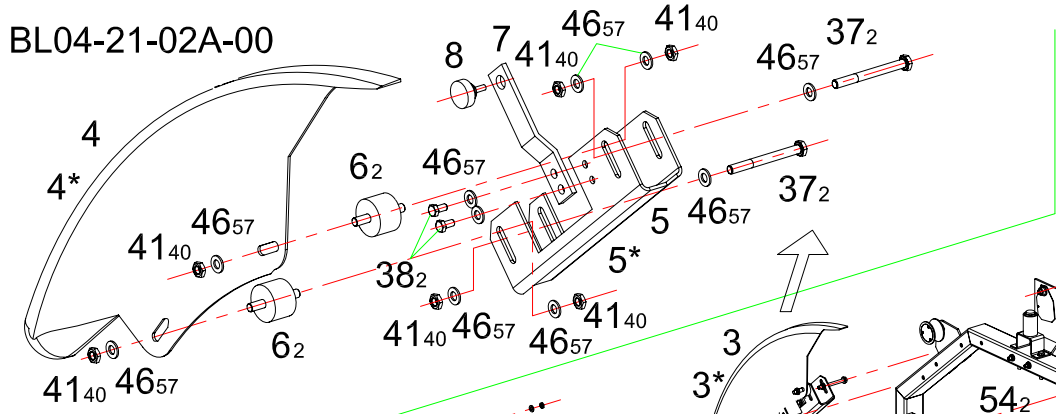


ITEM	PART NO.	DESCRIPTION
1	BL03-19-01-00	L.H. PLOW & MAT WELDMENT-LARGE
1*	BL03-20-01-00	R.H. PLOW & MAT WELDMENT-LARGE
2	BL02A-19-02-00	L.H. PLOW & MAT WELDMENT-SMALL
2*	BL02A-20-02-00	R.H. PLOW & MAT WELDMENT-SMALL
3	BL03-19-03-00	L.H. APRON ASSEMBLY
3*	BL03-20-03-00	R.H. APRON ASSEMBLY
4	BL02A-19-04	CLIP-BOTTOM L.H.
4*	BL02A-20-04	CLIP-BOTTOM R.H.
5	BL03-19-05-00	CLIP WELDMENT L.H.
5*	BL03-20-05-00	CLIP WELDMENT R.H.
6	BL02A-15-00	STRAP WELDMENT
7	BL02A-16-00	BRACE
8	BL05-40-01	SUPPORT BRACKET
9		
10	BL02A-41	CARPET BELT
11	GB/T 70.3-2000 M6X16	FLAT SOCKET CAP SCREW
12	GB/T 70.3-2000 M6X20	FLAT SOCKET CAP SCREW
13	GB/T 70.3-2000 M8X20	FLAT SOCKET CAP SCREW
14	GB/T 70.3-2000 M8X40	FLAT SOCKET CAP SCREW
15	GB/T 5782-2000 M10X25	HEX CAP SCREW
16	GB/T 5782-2000 M8X20	HEX CAP SCREW
17	GB/T 5782-2000 M8X25	HEX CAP SCREW
18	GB/T 889.1-2000 M10	LOCKNUT
19	GB/T 889.1-2000 M6	LOCKNUT
20	GB/T 889.1-2000 M8	LOCKNUT
21	GB97.1-85 10	FLAT WASHER
22	GB97.1-85 6	FLAT WASHER
23	GB97.1-85 8	FLAT WASHER
24	BL03-19-03-01	L.H. APRON
24*	BL03-20-03-01	R.H. APRON
25	BL03-19-03-03-00	SPECIAL NUT ASSEMBLY
26	GB109-86 3X5	RIVET

ITEM	PART NO.	DESCRIPTION
27	BL03-19-03-03-01	NUT, SPECIAL
28	BL02A-19-03-03-02	RIVET JOINT PANNEL
29	BL02A-19-03-03-03	CROOKED PANEL
30	GB278-82 80204	BEARING
31	BL02A-18-01-00	ROLLER
32		
33		
34		
35		
36		
37		
38		
39		
40		
41		
42		
43		
44		
45		
46		
47		
48		
49		
50		
51		
52		
53		
54		
55		
56		
57		
58		

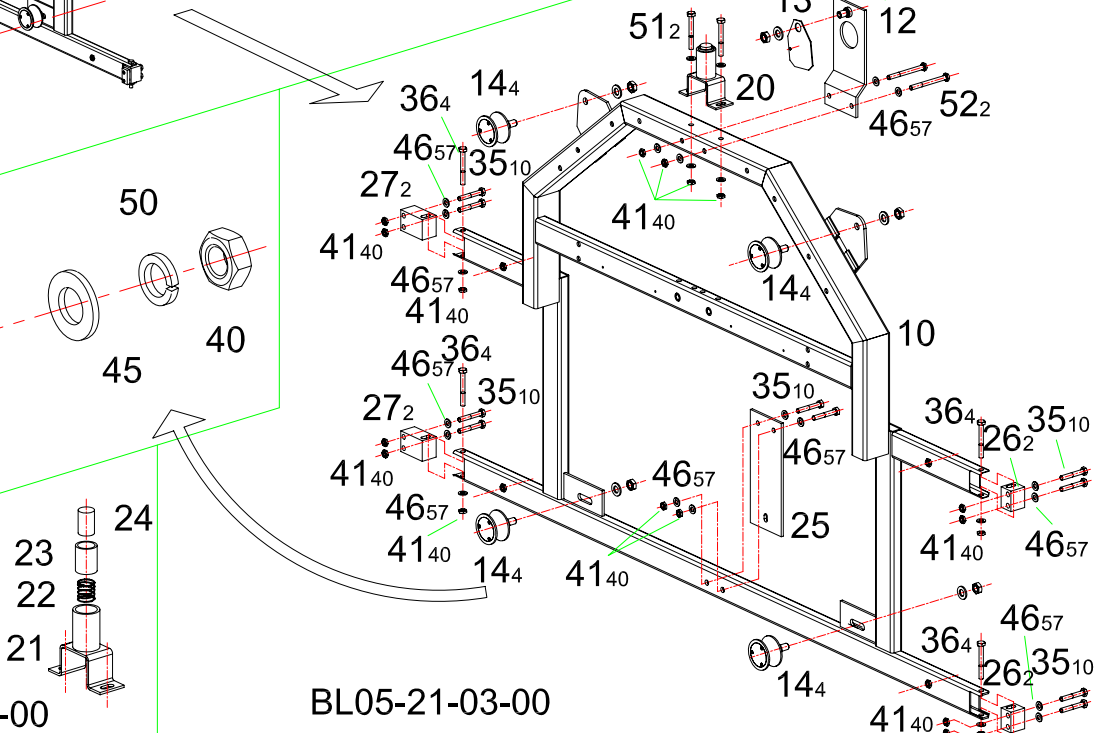


BL04-21-02A-00



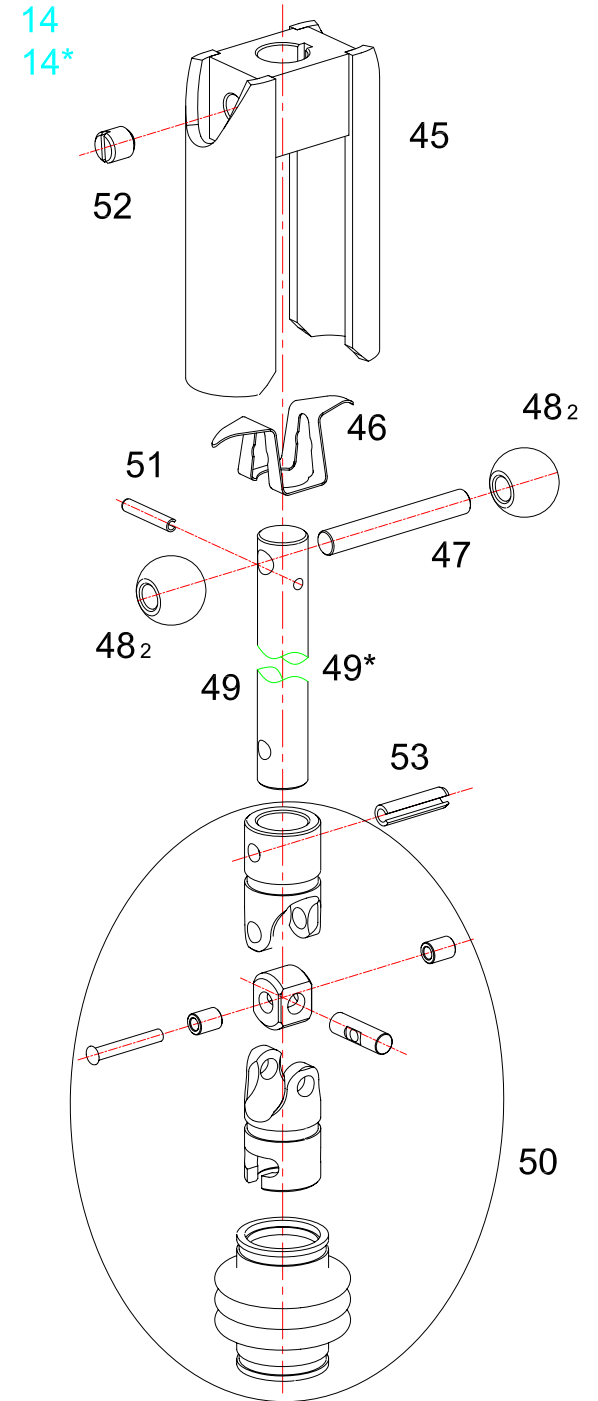
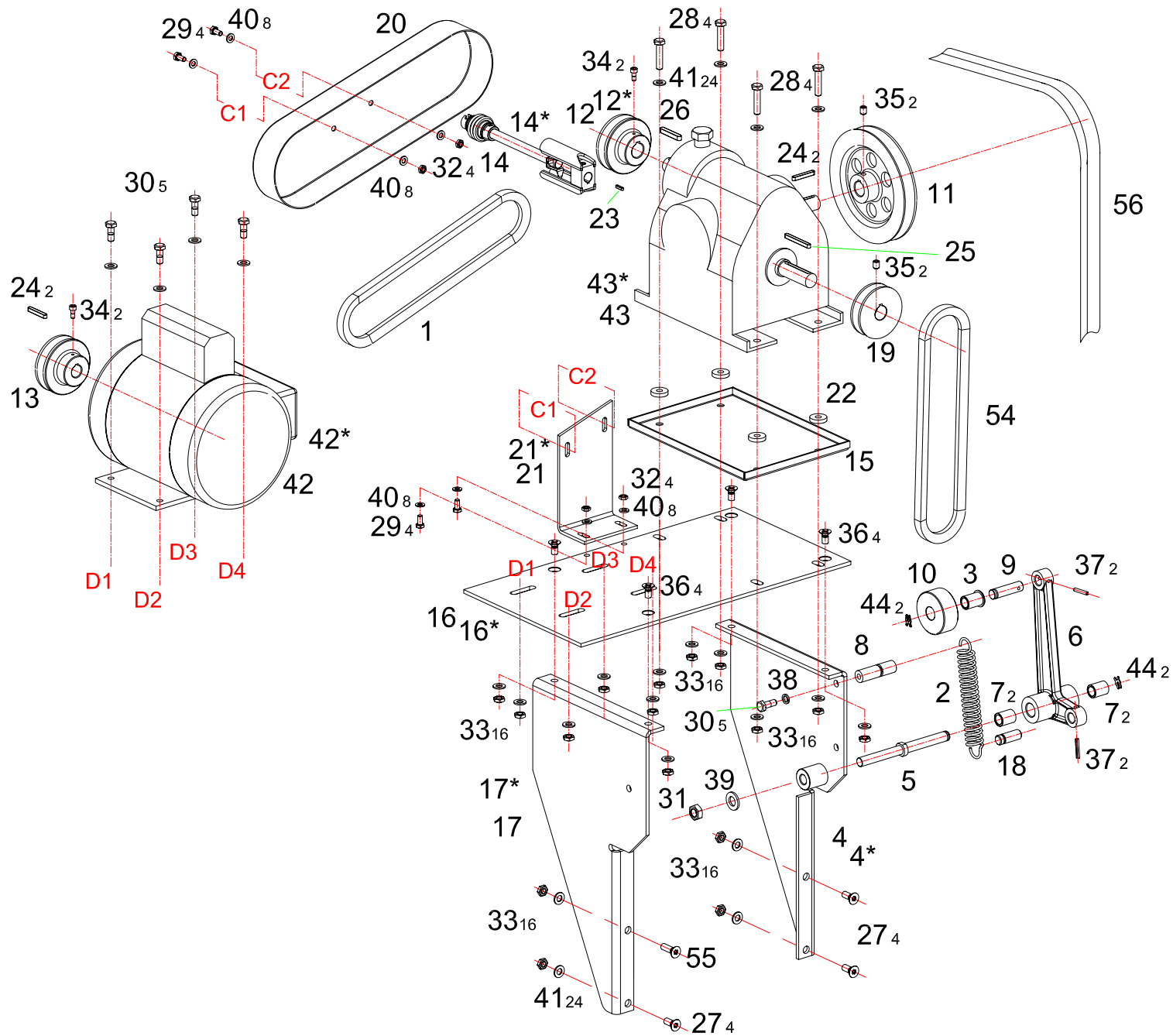
BL05-21-03-06-00

BL05-21-03-00



ITEM	PART NO.	DESCRIPTION
1	BL05-21-01-01-00L	WHELL GUARD, L.H.
1*	BL05-21-01-01-00R	WHELL GUARD, R.H.
2	BL05-21-01-02-00	WHELL WINDOW
3	BL04-21-02A-00	RAIL ASSEMBLY, L.H.
3*	BL04-21-02B-00	RAIL ASSEMBLY, R.H.
4	BL04-21-02A-01	RAIL, L.H.
4*	BL04-21-02B-01	RAIL, R.H.
5	BL04-21-02A-02	PIN HOLDER BRACHET MOUNT, L.H.
5*	BL04-21-02B-02	PIN HOLDER BRACHET MOUNT, R.H.
6	BL04-21-02-03-00	RUBBER SPACER MOUNT
7	BL04-21-02-04	BRACKET
8	BL04-21-02-05	BUMPER
9	BL05-21-03-00L	ELEVATOR SUPPORT ASSEMBLY, L.H.
9*	BL05-21-03-00R	ELEVATOR SUPPORT ASSEMBLY, R.H.
10	BL05-21-03-01-00A	ELEVATOR SUPPORT FRAME WELDMENT, L.H.
11	BL05-21-03-02-00A	UPPER BRACKET ASSEMBLY
12	BL05-21-03-02-01-00A	BRACKET WELDMENT
13	BL05-21-03-02-02-00A	COVER
14	BL03-21-01-00	ROLLER ASSEMBLY
15	BL03-21-01-01	ROLLER
16	BL03-21-01-02	END COVER
17	BL03-21-01-03	SHAFT
18	BL03-21-01-05	BUSHING
19		
20	BL05-21-03-06-00	OILER ASSEMBLY
21	BL05-21-03-06-01-00	OILER BRACKET WELDMENT
22	BL05-21-03-06-03A	SPRING
23	BL05-21-03-06-04	OILER BODY
24	BL05-21-03-06-05	WICK
25	BL04-21-03-07	DOWN BEACKET
26	BL04-21-03-09	HINGE BLOCK, BALL EXIT SIDE

ITEM	PART NO.	DESCRIPTION
27	BL05-21-03-09A	HINGE BLOCK, SIDE OPPOSITE BALL EXIT
28	CEBL05-21-04A-00	PIN WHELL ASSEMBLY, L.H.
28*	CEBL05-21-04B-00	PIN WHELL ASSEMBLY, R.H.
29	CEBL05-21-04A-01-00	PIN WHELL WELDMENT, L.H.
29*	CEBL05-21-04B-01-00	PIN WHELL WELDMENT, R.H.
30	CEBL05-21-04-02-00	RING WELDMENT
31	BL05-21-05-01-00	RECTANGULAR GUARD
32	BL04-21-05-02	HANGER
33	BL05-21-05-02-00	BRACKET WELDMENT
34	GB276-89 201	BEARING
35	GB/T 5782-2000 M8X50	HEX CAP SCREW
36	GB/T 5782-2000 M8X65	HEX CAP SCREW
37	GB/T 5782-2000 M8X75	HEX CAP SCREW
38	GB/T 5783-2000 M8X20	HEX CAP SCREW
39	GB/T 5783-2000 M8X25	HEX CAP SCREW
40	GB/T 889.1-2000 M12	LOCKNUT
41	GB/T 889.1-2000 M8	LOCKNUT
42	GB68-85 M3X8	BOLT
43	GB894.1-86 12	RAITAINING RING
44	BL02A-08-17-12	WASHER
45	GB97.1-85 12	FLAT WASHER
46	GB97.1-85 8	FLAT WASHER
47	GB/T12-88 M8X16	SEMICIRCLE HEAD SQUARE SCREW
48	Φ42XΦ10X3	WASHER
49	GB/T 5782-2000 M8X40	HEX CAP SCREW
50	GB93-87 12	SPRING WASHER
51	GB/T 5782-2000 M8X55	HEX CAP SCREW
52	GB/T 5782-2000 M8X80	HEX CAP SCREW
53	GB/T 5782-2000 M8X30	HEX CAP SCREW
54	BL05-21-03-03-00	BRACKET WELDMENT
55	BL05-21-01A-03	SCREW

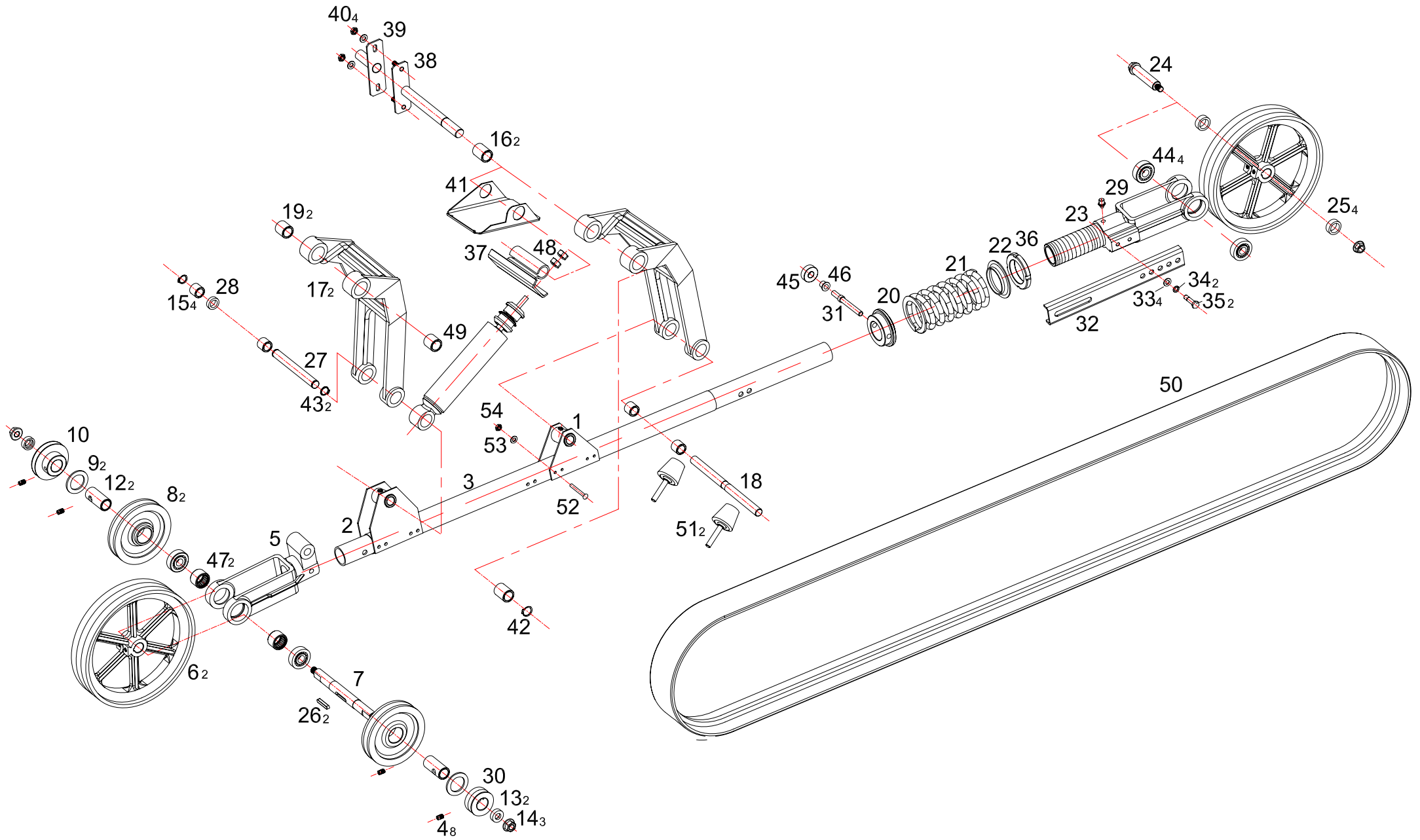




ITEM	PART NO.	DESCRIPTION
1	A27"	BELT
2	BL02A-08-18-33	SPRING
3	BL02A-08-28-01-02-02	FLANGE BUSHING
4	BL03-38-01-00	BRACKET WELDMENT I, L.H.
4*	BL03-38-02-00	BRACKET WELDMENT I, R.H.
5	BL03-38-03	SHAFT
6	BL02A-38-04	BELT TIGHTENER ARM
7	BL02A-38-05	SLEEVE BEARING
8	BL03-38-07	PIN
9	BL02A-38-08	PIN
10	BL02A-38-10	PULLEY
11	BL03-38-11	PULLEY
12	BL03-38-12	SHEAVE
12*	CEBL05-38-12	SHEAVE, FOR 60Hz MOTOR
13	BL03-38-13B	PIN ELEVATOR SHEAVE
14	BL03-38-14B-00A	DIST. DRIVE SHAFT ASSEMBLY, L.H.
14*	BL03-38-14B-00B	DIST. DRIVE SHAFT ASSEMBLY, R.H.
15	BL03-38-15	BACK END MOTOR DRIP PAN
16	BL03-38-16B	MOTOR MOUNT PANEL, L.H.
16*	BL03-38-16A	MOTOR MOUNT PANEL, R.H.
17	BL03-38-17	BRACKET WELDMENT II, L.H.
17*	BL03-38-18	BRACKET WELDMENT II, R.H.
18	BL02A-38-19	PIN
19	BL03-38-20	BACK END DRIVE SHEAVE
20	BL03-38-21	SAFETY COVER
21	BL03-38-22A	COVER BRACKET, L.H.
21*	BL03-38-22B	COVER BRACKET, R.H.
22	BL02A-38-23	PAPER WASHER
23	GB1096-79 3X15	KEY
24	GB1096-79 5X35	KEY
25	GB1096-79 5X50	KEY
26	GB1096-79 6X40	KEY
27	GB/T 70.3-2000 M8X20	FLAT SOCKET CAP SCREW
28	GB/T 5782-2000 M8X40	HEX CAP SCREW
29	GB/T 5783-2000 M6X20	HEX CAP SCREW

ITEM	PART NO.	DESCRIPTION
30	GB/T 5782-2000 M8X20	HEX CAP SCREW
31	GB/T 889.1-2000 M12	LOCKNUT
32	GB/T 889.1-2000 M6	LOCKNUT
33	GB/T 889.1-2000 M8	LOCKNUT
34	GB/T 70.1-2000 M5X12	SOCKET HEAD CAP SCREW
35	GB/T 80-2000 M8X10	SOCKET SET SCREW
36	GB819-85 M8X20	FLAT COUNTERSUNK HEAD SCREW
37	GB879-86 4X24	ROLL PIN
38	GB93-87 8	SPRING WASHER
39	GB97.1-85 12	FLAT WASHER
40	GB97.1-85 6	FLAT WASHER
41	GB97.1-85 8	FLAT WASHER
42	SSH-0374-1	MOTOR, 220V/50Hz
42*	SSH-0374-2	MOTOR, 110V/60Hz
43	WCH2-L	GEARBOX, L.H.
43*	WCH2-R	GEARBOX, R.H.
44	BLB001-12	X WASHER
45	BL03-38-14B-01-00	DISTRIBUTOR DRIVE HOUSING
46	BL02A-38-14B-02	BALL BEARING RETAINER
47	BL02A-38-14B-03	PIN
48	BL02A-38-14-04	BALL BEARING
49	BL02A-38-14B-05A	DISTRIBUTOR DRIVE SHAFT, L.H.
49*	BL02A-38-14B-05B	DISTRIBUTOR DRIVE SHAFT, R.H.
50	BL02A-38-14-06-00	METAL UNIVERSAL JOINT
51	SAE AMS 7205E 1/8"	ROLL PIN $\phi$ 1/8"X3/4"
52	GB/T 80-2000 M8X8	SOCKET SET SCREW
53	SAE AMS 7205E 3/16"	ROLL PIN $\phi$ 3/16"X3/4"
54	A37"	BELT
55	GB/T 70.3-2000 M8X25	FLAT SOCKET CAP SCREW
56	B190"/4826	PIN WHELL BELT
57		
58		
59		
60		
61		
62		



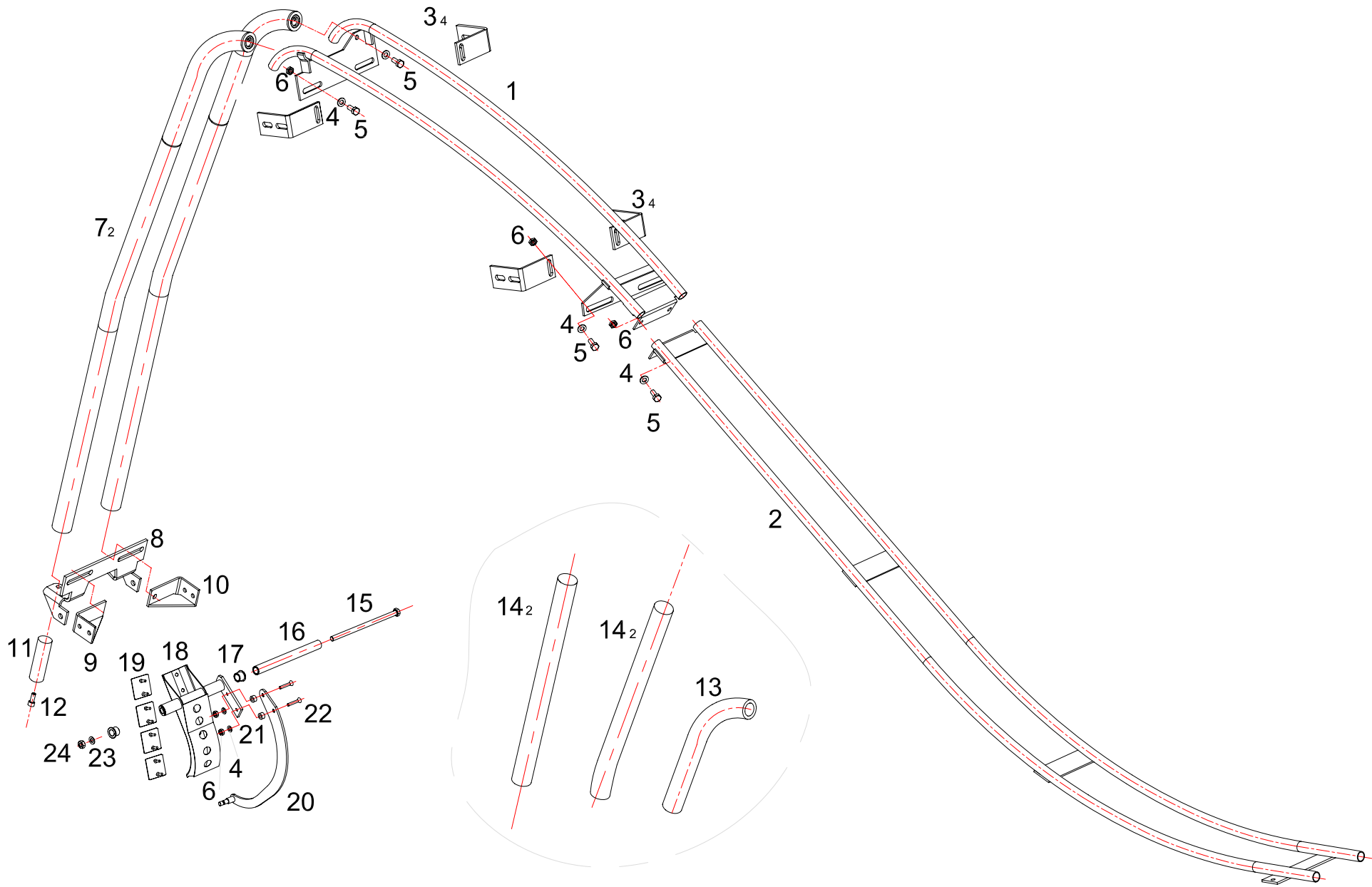




ITEM	PART NO.	DESCRIPTION
1	BL03-08-10-13-03-00	SUPPORT WELDMENT-UPPER
2	BL03-08-10-13-02-00	SUPPORT LOWER
3	BL02A-08-10-13-01	TUBE
4	GB/T 80-2000 M8X12	SOCKET SET SCREW
5	BL03-08-10-11	YOKE LOWER
6	BL03-08-10-08	BELT PULLEY
7	BL03-08-10-10	SHAFT LOWER
8	BL03-08-10-06	SHEAVE-BALL LIFT
9	BL03-08-10-31	WASHER
10	BL03-08-10-05B	SHEAVE-FIRST STAGE LIFT
11		
12	BL03-08-10-09	BEARING-SLEEVE
13	BL03-08-10-33	SPACER
14	GB/T 6187.1-2000 M12	FLANGE NUT
15	BL02A-08-10-12-02	BEARING-SLEEVE
16	BL02A-08-10-12-01	BEARING-SLEEVE
17	BL02A-08-10-12-04	LINK
18	BL02A-08-10-28	PIVOT SHAFT
19	BL02A-08-10-12-03	BEARING-SLEEVE
20	BL02A-08-10-20	RETAINER-LOWER
21	BL02A-08-10-19	SPRING
22	BL02A-08-10-18	RETAINER-UPPER
23	BL03-08-10-16	YOKE-UPPER
24	BL03-08-10-15	SHAFT-UPPER
25	BL03-08-10-14	SPACER
26	GB1096-79 6X36	KEY
27	BL02A-08-10-29	SHAFT
28	BL03-08-10-30	WASHER
29	GB1152-89 M10X1	GREASE FITTING
30	BL03-08-10-05A	SHEAVE-PADDLE DRIVE
31	BL02A-08-10-21	PIN PIVOT
32	BL02A-08-10-23	RAIL

ITEM	PART NO.	DESCRIPTION
33	GB97.1-85 8	FLAT WASHER
34	GB93-87 8	SPRING WASHER
35	GB/T 5783-2000 M8X25	HEX CAP SCREW
36	GB812-88 M50X1.5	BEARING LOCKNUT
37	BL02A-08-10-25	BRACKET
38	BL03-08-10-03-00	SHAFT ASSEMBLY FIXED
39	BL02A-08-10-02-00	SHAFT ASSEMBLY ADJ
40	GB/T 889.1-2000 M8	LOCKNUT
41	BL02A-08-10-24	RETAINER
42	GB894.1-86 19	RETAINING RING
43	GB894.1-86 16	RETAINING RING
44	80104	BEARING
45	BL02A-08-10-22-02	ROLLER
46	BL02A-08-10-22-01	FLANGE BEARING
47	HFL2530	CLUTCH BEARING
48	GB/T 6170-2000 M10	NUT
49	QTH00	SHOCK ABSORBER ASSEMBLY
50	BL02A-08-10-07	V-BELT GUIDE
51	BL03-08-10-32-00	STOP BUMPER
52	GB/T 5782-2000 M6X55	HEX CAP SCREW
53	GB97.1-85 6	FLAT WASHER
54	GB/T 889.1-2000 M6	LOCKNUT
55		
56		
57		
58		
59		
60		
61		
62		
63		
64		

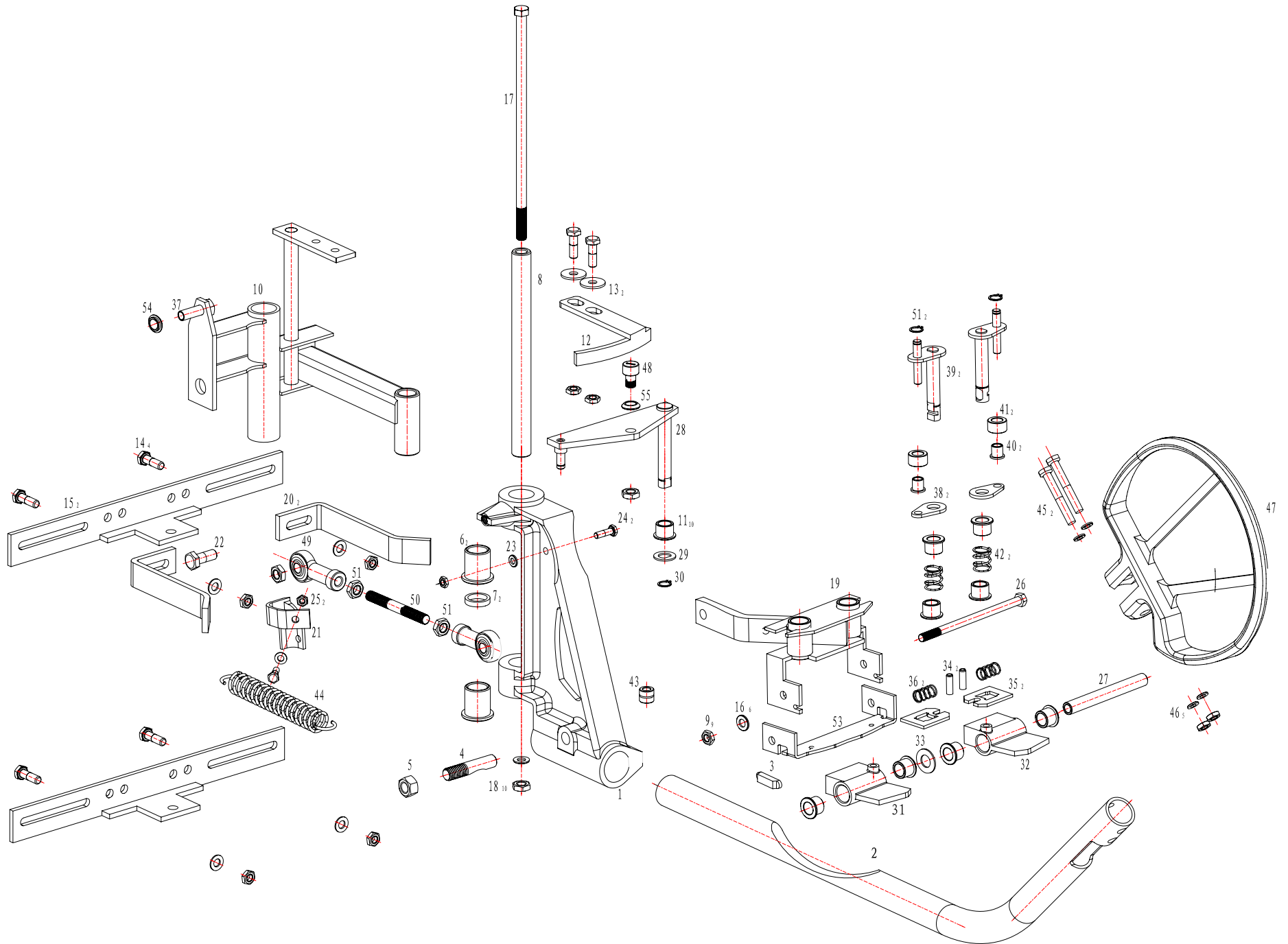




ITEM	PART NO.	DESCRIPTION
1	BL02A-08-01-04-00	TRACK RAIL WELDMENT
2	BL02A-08-01-08-00	TRACK RAIL WELDMENT
3	BL02A-08-01-05	TRACK SUPPORT
4	GB97.1-85 8	FLAT WASHER
5	GB/T 5783-2000 M8X20	HEX CAP SCREW
6	GB/T 889.1-2000 M8	LOCKNUT
7	BL03-08-01-02-00	TRACK RAIL WELDMENT
8	BL03-08-26	BRACKET
9	BL02A-08-01-01-00A	TRACK SUPPORT WELDMENT
10	BL02A-08-01-01-00B	TRACK SUPPORT WELDMENT
11	BL02A-08-24	BALL GUIDE
12	GB/T 70.1-2000 M8X65	SOCKET HD.CAP SCREW
13	BL02A-08-01-10	TRACK COVER UPPER
14	BL02A-08-01-09	TRACK COVER LOWER
15	BL03-08-27	HEX CAP SCREW
16	BL02A-08-25	SLEEVE
17	BL02A-01-02-19	FLANGE BEARING
18	BL02A-08-23-00	LIFT ARM WELDMENT
19	BL02A-04-04	LINER
20	BL03-08-22-00	LEVER ARM WELDMENT
21	BL02A-08-22A	SLEEVE
22	GB/T 70.3-2000 M8X30	FLAT SOCKET CAP SAREW
23	GB97.1-85 10	FLAT WASHER
24	GB/T 889.1-2000 M10	LOCKNUT
25		
26		

ITEM	PART NO.	DESCRIPTION
27		
28		
29		
30		
31		
32		
33		
34		
35		
36		
37		
38		
39		
40		
41		
42		
43		
44		
45		
46		
47		
48		
49		
50		
51		
52		

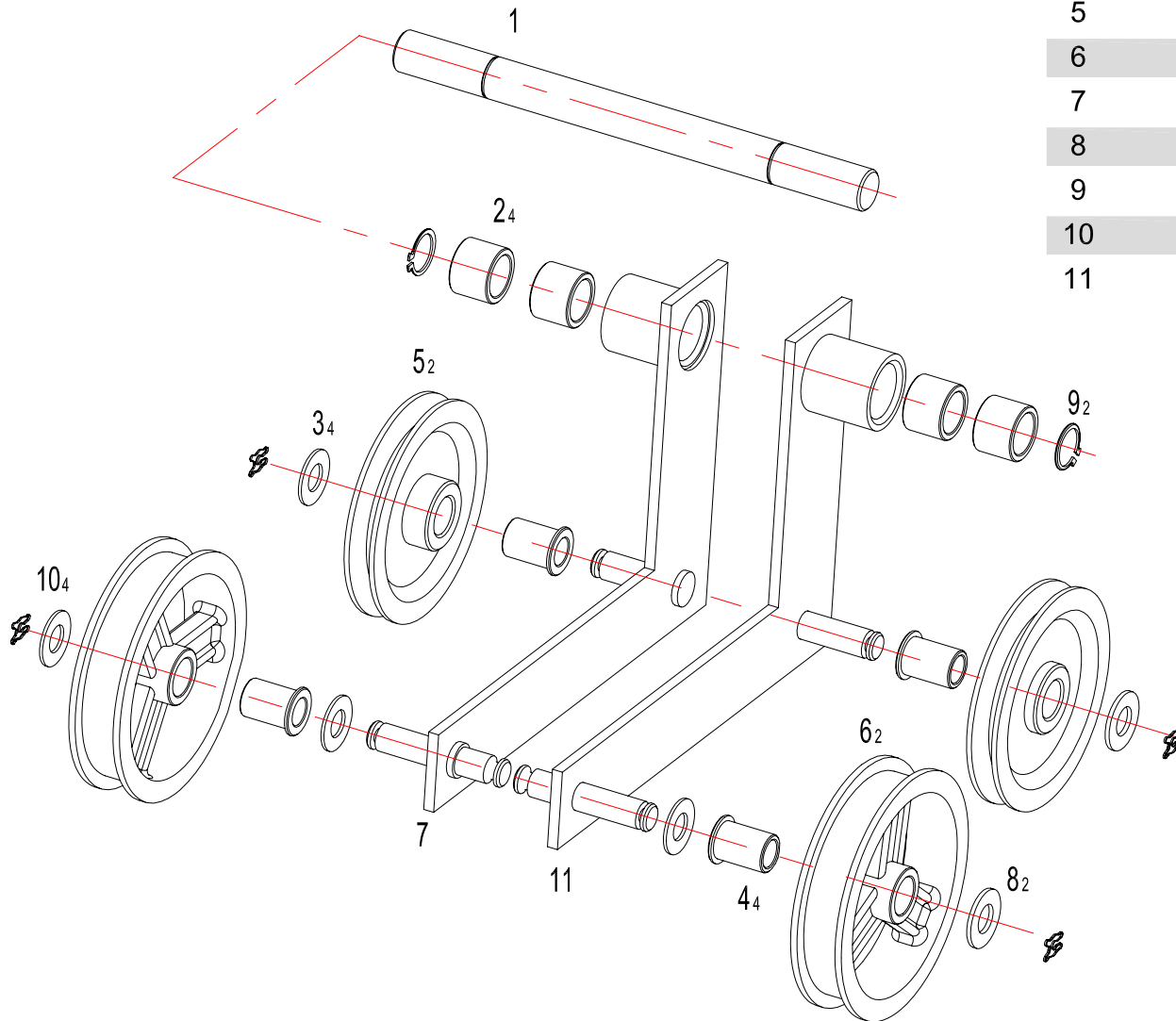




ITEM	PART NO.	DESCRIPTION
1	BL03-08-18-06	RUDDER ARM SUPPORT
2	BL02A-08-18-26-00	RUDDER ARM
3	BL02A-08-18-30	KEY
4	BL03-08-18-35	CLAMP STUD
5	GB/T 6170-2000 M12	NUT
6	BL02A-08-18-36	FLANGE BEARING
7	BL02A-08-18-04	WASHER
8	BL02A-08-18-03	SHAFT RUDDER
9	GB/T 889.1-2000 M8	LOCKNUT
10	BL03-08-18-02-00	RUDDER DRIVE WELDMENT
11	BL02A-08-18-24	FLANGE BEARING
12	BL02A-08-18-27	CAM WELDMENT
13	BL02A-08-18-07	WASHER
14	GB/T 5783-2000 M8X25	HEX CAP SCREW
15	BL02A-08-18-05	RUDDER ARM SUPPORT
16	GB97.1-85 8	FLAT WASHER
17	BL03-08-18-37	SCREW
18	GB/T 889.1-2000 M10	LOCKNUT
19	BL02A-08-18-10-00	CAM SENSOR WELDMENT
20	BL02A-08-18-08	TRIP ARM
21	BL02A-08-18-09	BRACE SENSOR
22	GB/T 5783-2000 M10X25	HEX CAP SCREW
23	GB97.1-85 6	FLAT WASHER
24	GB/T 5783-2000 M6X20	HEX CAP SCREW
25	GB/T 889.1-2000 M6	LOCKNUT
26	BL03-08-18-23	SCREW
27	BL02A-08-18-22	SLEEVE
28	BL03-08-18-28-00	LINK WELDMENT
29	BL02A-08-18-25	RETAINING RING
30	GB894.1-86 12	RETAINING RING

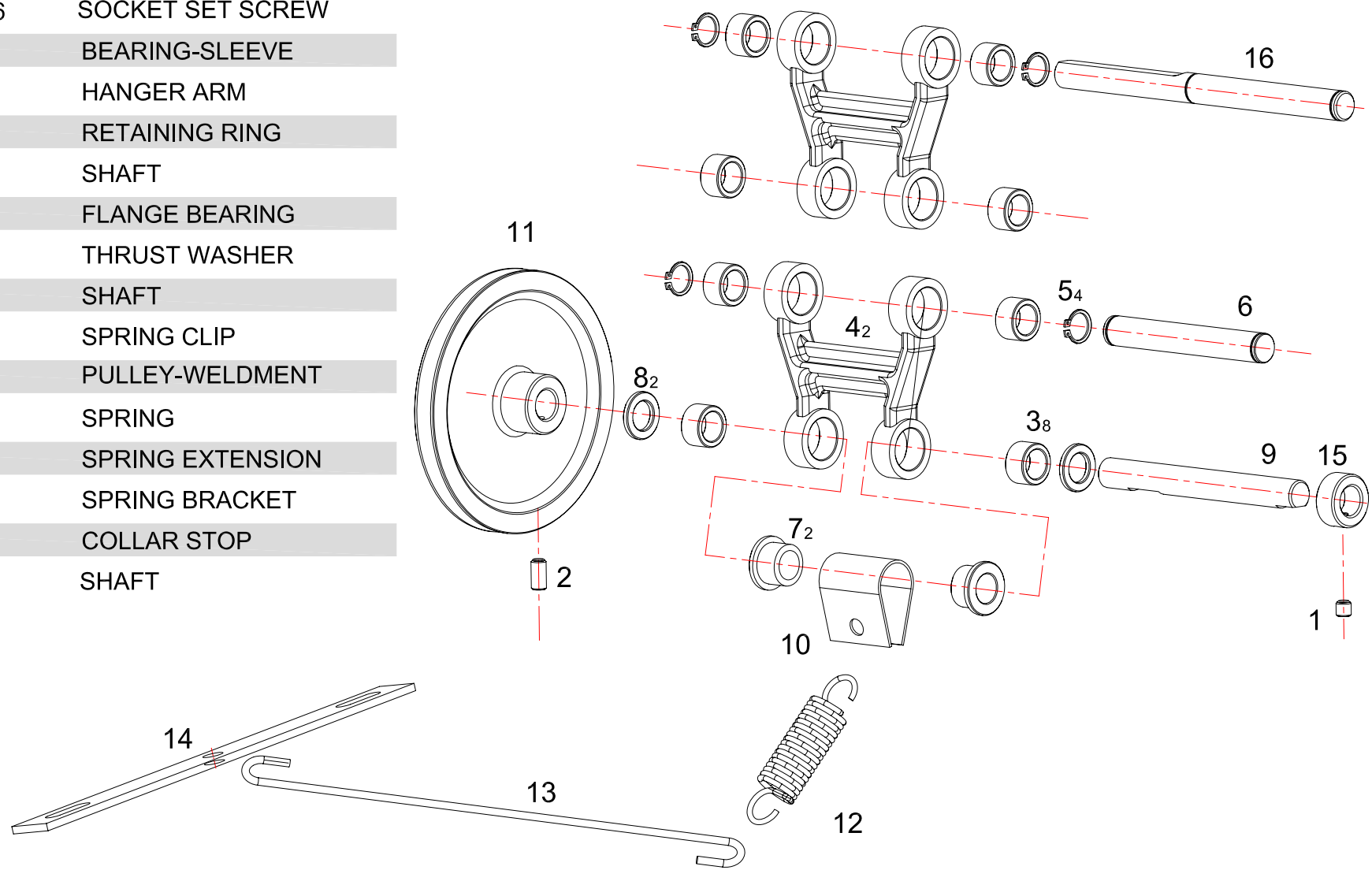
ITEM	PART NO.	DESCRIPTION
31	BL02A-08-18-17	RUDDER CAM WELDMENT R.H.
32	BL02A-08-18-18	RUDDER CAM WELDMENT L.H.
33	BL02A-08-18-29	WASHER-SPACER
34	GB879-86 6X20	ROLL PIN
35	BL02A-08-18-20	TRIP FINGER
36	BL02A-08-18-21	SPRING
37	GB/T 5783-2000 M10X30	HEX CAP SCREW
38	BL02A-08-18-14	TAB
39	BL02A-08-18-15-00	TRIP ARM ASSEMBLY
40	BL02A-08-18-12	FLANGE BEARING
41	BL02A-08-18-11	ROLLER
42	BL02A-08-18-13	SPRING
43	BL02A-08-17-13	ROLLER
44	BL02A-08-18-33	SPRING
45	GB/T 5782-2000 M8X60	HEX CAP SCREW
46	GB97.1-85 10	FLAT WASHER
47	BL02A-08-18-31	PADDLE
48	CF10K	CAM FOLLOWER
49	SI10F	ROD END BEARING
50	BL03-08-18-01	ROD
51	GB894.1-86 8	RETAINING RING
52	GB/T 6170-2000 M10	NUT
53	BL02A-08-18-16	CAM
54	BL02A-08-18-34	WASHER-UNIBALL BEARING
55	BL03-08-18-19	WASHER-UNIBALL BEARING
56		
57		
59		
60		



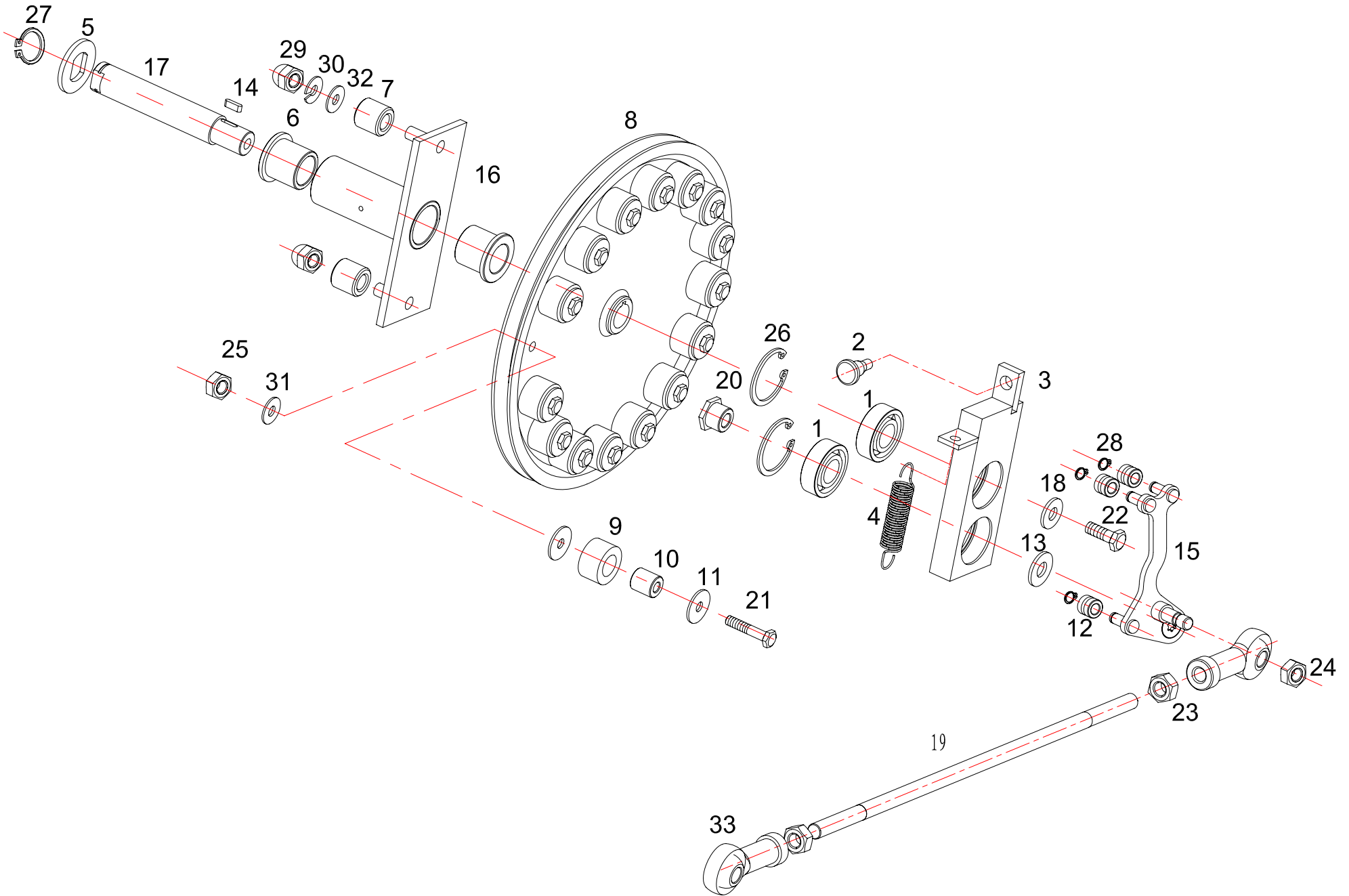


ITEM	PART NO.	DESCRIPTION
1	BL02A-08-28-02	SHAFT
2	BL02A-08-28-01-06	BEARING SLEEVE
3	BL02A-08-28-01-04	PLAIN WASHER
4	BL02A-08-28-01-02-02	FLANGE BEARING
5	BL02A-08-28-01-05-01	IDLER SHEAVE
6	BL02A-08-28-01-02-01	IDLER PULLER
7	BL02A-08-28-01-01-00A	BELT TIGHTNER L.H.
8	BL02A-08-28-01-03	PLAIN WASHER
9	GB894.1-86-19	RETAINING RING
10	BLB001-12	"X" WASHER
11	BL02A-08-28-01-01-00B	BELT TIGHTNER R.H.

ITEM	PART NO.	DESCRIPTION
1	GB/T 80-2000 M8X8	SOCKET SET SCREW
2	GB/T 80-2000 M8X16	SOCKET SET SCREW
3	BL02A-08-29-02-02	BEARING-SLEEVE
4	BL02A-08-29-02-01	HANGER ARM
5	GB894.1-86 16	RETAINING RING
6	BL02A-08-29-03	SHAFT
7	BL02A-08-29-06	FLANGE BEARING
8	BL02A-08-29-10	THRUST WASHER
9	BL02A-08-29-04	SHAFT
10	BL02A-08-29-05	SPRING CLIP
11	BL03-08-29-09	PULLEY-WELDMENT
12	BL02A-08-18-33	SPRING
13	BL02A-08-29-07A	SPRING EXTENSION
14	BL03-08-29-08	SPRING BRACKET
15	BL03-01-02-21	COLLAR STOP
16	BL02A-08-29-01	SHAFT



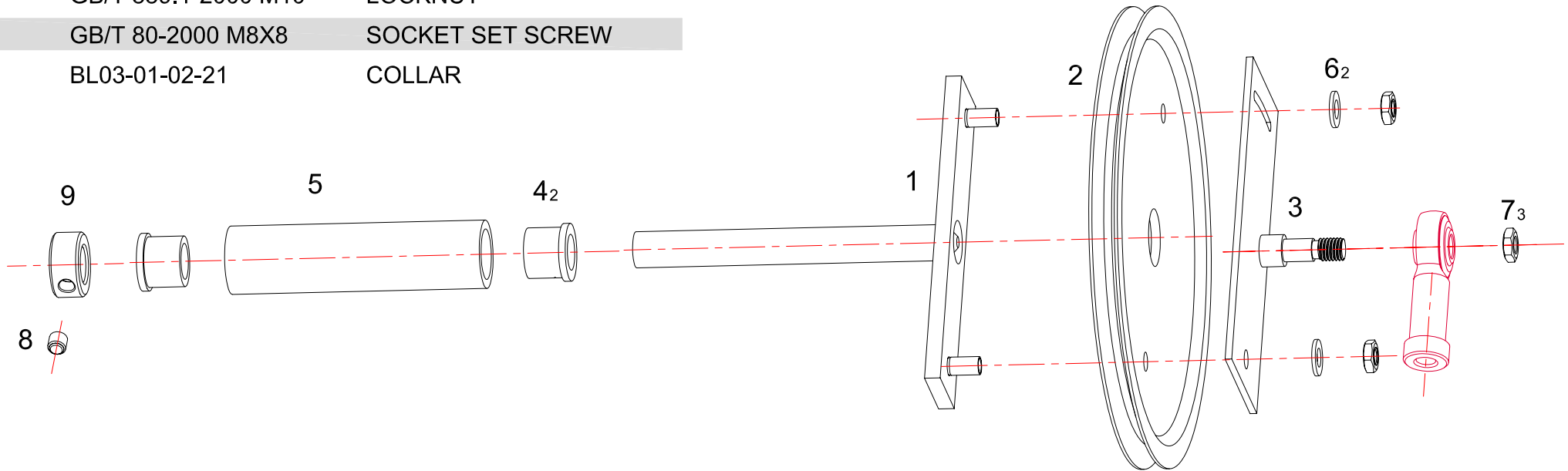




ITEM	PART NO.	DESCRIPTION
1	99502H	BEARING
2	BL02A-06-02-04	BUMPER
3	BL02A-08-17-01-00	CRANK WELDMENT
4	BL02A-08-17-03	SPRING
5	BL02A-08-17-04	WASHER
6	BL02A-08-17-05	FLANGE BEARING
7	BL02A-08-17-08	SLEEVE
8	BL02A-08-17-09	PULLEY-RATCHET
9	BL02A-08-17-10	ROLLER
10	BL02A-08-17-11	SPACER-ROLLER
11	BL02A-08-17-12	WASHER
12	BL02A-08-17-13	ROLLER-RATCHET ARM
13	BL02A-08-17-17	WASHER
14	BL03-01-02-24A	KEY
15	BL03-08-17-02-00	RATCHET ARM WELDMENT
16	BL03-08-17-06-00	HOUSING
17	BL03-08-17-07	SHAFT
18	BL03-08-17-14	WASHER
19	BL03-08-17-15	ROD
20	BL03-08-17-16	NUT
21	GB/T 5782-2000 M6X35	HEX CAP SCREW
22	GB/T 5783-2000 M8X16	HEX CAP SCREW
23	GB/T 6170-2000 M10	NUT
24	GB/T 889.1-2000 M10	LOCKNUT
25	GB/T 889.1-2000 M6	LOCKNUT
26	GB893.1-86 35	RETAINING RING

ITEM	PART NO.	DESCRIPTION
27	GB894.1-86 19	RETAINING RING
28	GB894.1-86 8	RETAINING RING
29	GB923-88 M8	NUT
30	GB93-87 8	SPRING WASHER
31	GB97.1-85 6	FLAT WASHER
32	GB97.1-85 8	FLAT WASHER
33	SI10F	ROD END BEARING

ITEM	PART NO.	DESCRIPTION
1	BL03-08-30-03-00	CRANK SHAFT WELDMENT
2	BL02A-08-30-02	CRANK PULLEY
3	BL03-08-30-01-00	CRANK ADJUSTMENT PLATE WELDMENT
4	BL02A-08-30-04-01	FLANGE BEARING
5	BL02A-08-30-04-02	TUBE
6	GB97.1-85 8	FLAT WASHER
7	GB/T 889.1-2000 M10	LOCKNUT
8	GB/T 80-2000 M8X8	SOCKET SET SCREW
9	BL03-01-02-21	COLLAR



PART NO.	PAGE	PART NO.	PAGE	PART NO.	PAGE	PART NO.	PAGE
80104	54	BL02A-01-02-12-01	10	BL02A-01-39A	6	BL02A-02-27A	14
99502H	30,32, 36,62	BL02A-01-02-12-02	10	BL02A-01-39B	6	BL02A-02-27B	14
A27"	52	BL02A-01-02-12-03	10	BL02A-02-01-00	16	BL02A-02-28	14
A37"	52	BL02A-01-02-12-04	10	BL02A-02-01-01	16	BL02A-02-29	14
B190"/4826	52	BL02A-01-02-17	10	BL02A-02-01-02	16	BL02A-02-30	14,30
BL02A-01-01-02	8	BL02A-01-02-19	10,56	BL02A-02-01-03	16	BL02A-02-31	14
BL02A-01-01-03	8	BL02A-01-02-20	10	BL02A-02-01-04	16	BL02A-02-32	14
BL02A-01-01-04-01	8	BL02A-01-02-22	10	BL02A-02-01-05	16	BL02A-02-33A	14
BL02A-01-01-04-02	8	BL02A-01-02-25	10	BL02A-02-01-06-00	16	BL02A-02-33B	14
BL02A-01-01-06	8	BL02A-01-02-26	10	BL02A-02-01-07	16	BL02A-02-34	14
BL02A-01-01-07	8	BL02A-01-02-27	10	BL02A-02-01-09	16	BL02A-02-35	14
BL02A-01-01-08	8	BL02A-01-02-31	10	BL02A-02-01-10A	16	BL02A-02-36A	14
BL02A-01-01-11	8	BL02A-01-03-00	6,12	BL02A-02-01-10B	16	BL02A-02-36B	14
BL02A-01-01-12-00	8	BL02A-01-05	6,12	BL02A-02-01-11	16	BL02A-02-38	14
BL02A-01-01-14	8	BL02A-01-07-01	2,4,6	BL02A-02-01-12	16	BL02A-02-39	14
BL02A-01-01-15	8	BL02A-01-07-13A	2,6	BL02A-02-03	14	BL02A-02-40	14
BL02A-01-02-01	10	BL02A-01-07-13B	4	BL02A-02-04	14	BL02A-02-42	14
BL02A-01-02-02	10	BL02A-01-14	6,12	BL02A-02-06A	14	BL02A-02-43A	14
BL02A-01-02-03	10	BL02A-01-15	6,12	BL02A-02-06B	14	BL02A-02-43B	14
BL02A-01-02-04	10	BL02A-01-17	6	BL02A-02-08A	14	BL02A-02-44	14
BL02A-01-02-05	10	BL02A-01-18	6	BL02A-02-08B	14	BL02A-02-45	14
BL02A-01-02-06	10	BL02A-01-19	6	BL02A-02-10	14	BL02A-02-46-00	14
BL02A-01-02-07-00	10	BL02A-01-21	6	BL02A-02-11A-00	14	BL02A-02-47	14
BL02A-01-02-08	10	BL02A-01-22	6	BL02A-02-11B-00	14	BL02A-02-48	14
BL02A-01-02-12-00	10	BL02A-01-23	6	BL02A-02-19	14	BL02A-03-01	18
		BL02A-01-29	6	BL02A-02-20	14	BL02A-03-03	18
		BL02A-01-30	6	BL02A-02-25	14	BL02A-03-04	18
		BL02A-01-32	6	BL02A-02-26	14	BL02A-03-05	18

PART NO.	PAGE	PART NO.	PAGE	PART NO.	PAGE	PART NO.	PAGE
BL02A-03-07	18	BL02A-04-05	20	BL02A-05-08-04A	27	BL02A-06-01-02	30
BL02A-03-08-00	18	BL02A-04-06	20	BL02A-05-08-05-01	27	BL02A-06-01-03	30
BL02A-03-11	18	BL02A-04-07	20	BL02A-05-08-05-02-01	27	BL02A-06-01-04-01	30
BL02A-03-14	18	BL02A-04-12	20	BL02A-05-08-05-03A	27	BL02A-06-01-04-02-01	30,32
BL02A-03-15	18	BL02A-04-14	20	BL02A-05-08-05-06A	27	BL02A-06-01-04-03-01	30
BL02A-03-16-00	18	BL02A-04-16	20	BL02A-05-08-05-08	27	BL02A-06-01-04-03-02	30,32
BL02A-03-16-01A	18	BL02A-04-17	20	BL02A-05-08-08	27	BL02A-06-01-04-06	30,36
BL02A-03-16-01B	18	BL02A-04-19	20	BL02A-05-08-09	27	BL02A-06-01-04-08	30
BL02A-03-16-02	18	BL02A-04-20	20,26	BL02A-05-08-10-01	27	BL02A-06-01-08	30
BL02A-03-16-03	18	BL02A-04-21	20	BL02A-05-08-12	27	BL02A-06-01-12	30
BL02A-03-17	18	BL02A-04-23	20	BL02A-05-08-14	27	BL02A-06-01-14	30
BL02A-03-18	18	BL02A-04-24	20	BL02A-05-08-15	24,27	BL02A-06-01-16	30,36
BL02A-03-20A	18	BL02A-04-28	20	BL02A-05-09A	24	BL02A-06-01-17	30
BL02A-03-20B	18	BL02A-04-31	20	BL02A-05-09B	24	BL02A-06-01-18	30
BL02A-03-21	18	BL02A-04-32	20	BL02A-05-09C	24	BL02A-06-01-20-00	30
BL02A-03-22-01	18,22	BL02A-04-34	20	BL02A-05-09D	24	BL02A-06-02-01-00A	32
BL02A-03-22-02	18,22	BL02A-05-03-07-00	26	BL02A-05-10	24	BL02A-06-02-02	32
BL02A-03-22-03	18,22	BL02A-05-03-10	26	BL02A-05-12-00	22	BL02A-06-02-03-00A	32
BL02A-03-22-04	18,22	BL02A-05-03-12	26	BL02A-05-14A	22	BL02A-06-02-04	10,14, 62
BL02A-03-23	18	BL02A-05-03-13	26	BL02A-05-19	24	BL02A-06-02-06	32
BL02A-03-25A	18	BL02A-05-03-18	26	BL02A-05-22	24	BL02A-06-02-07	32
BL02A-03-29	18	BL02A-05-03-23	26	BL02A-05-24	24	BL02A-06-02-08-01	32
BL02A-03-30	18	BL02A-05-03-23A	26	BL02A-05-27A	22	BL02A-06-02-08-02-00	32
BL02A-03-31	18	BL02A-05-04A	22	BL02A-05-28-02	24	BL02A-06-02-09	32
BL02A-03-32-03	18	BL02A-05-04B	22	BL02A-05-28-04A	24	BL02A-06-02-11-02	32
BL02A-04-02	20	BL02A-05-05-00	22	BL02A-05-29	22	BL02A-06-02-11-03	32
BL02A-04-03	20	BL02A-05-08-01	27	BL02A-05-30	22	BL02A-06-02-11-05-00	32
BL02A-04-04	20,56	BL02A-05-08-03A	27	BL02A-05-32	22		

PART NO.	PAGE	PART NO.	PAGE	PART NO.	PAGE	PART NO.	PAGE
BL02A-06-02-11-06	32	BL02A-06-05-18	36	BL02A-08-10-29	54	BL02A-08-18-21	58
BL02A-06-02-12	32	BL02A-06-05-19-02	36	BL02A-08-17-01-00	62	BL02A-08-18-22	58
BL02A-06-02-13	32	BL02A-06-05-19-06	36	BL02A-08-17-03	62	BL02A-08-18-24	58
BL02A-06-02-14-01	32	BL02A-06-05-19-07	36	BL02A-08-17-04	62	BL02A-08-18-25	58
BL02A-06-02-15	32	BL02A-08-01-01-00A	56	BL02A-08-17-05	62	BL02A-08-18-26-00	58
BL02A-06-02-16-01	32	BL02A-08-01-01-00B	56	BL02A-08-17-08	62	BL02A-08-18-27	58
BL02A-06-03-01	33	BL02A-08-01-04-00	56	BL02A-08-17-09	62	BL02A-08-18-29	58
BL02A-06-03-02	33	BL02A-08-01-05	56	BL02A-08-17-10	62	BL02A-08-18-30	58
BL02A-06-03-11	33	BL02A-08-01-08-00	56	BL02A-08-17-11	62	BL02A-08-18-31	58
		BL02A-08-01-09	56	BL02A-08-17-12	50,54,62	BL02A-08-18-33	52,58,60
BL02A-06-04-02	34	BL02A-08-01-10	56	BL02A-08-17-13	58,62	BL02A-08-18-34	58
BL02A-06-04-03	34	BL02A-08-10-02-00	54	BL02A-08-17-17	62	BL02A-08-18-36	58
BL02A-06-05-02	36	BL02A-08-10-07	54	BL02A-08-18-03	58	BL02A-08-22A	56
BL02A-06-05-03	36	BL02A-08-10-12-01	54	BL02A-08-18-04	58	BL02A-08-23-00	56
BL02A-06-05-04	36	BL02A-08-10-12-02	54	BL02A-08-18-05	58	BL02A-08-24	56
BL02A-06-05-06-00	36	BL02A-08-10-12-03	54	BL02A-08-18-07	58	BL02A-08-25	56
BL02A-06-05-06-01	36	BL02A-08-10-12-04	54	BL02A-08-18-08	58	BL02A-08-28-01-01-00A	59
BL02A-06-05-06-02	36	BL02A-08-10-13-01	54	BL02A-08-18-09	58	BL02A-08-28-01-01-00B	59
BL02A-06-05-07-00	36	BL02A-08-10-18	54	BL02A-08-18-10-00	58	BL02A-08-28-01-02-01	59
BL02A-06-05-07-01	36	BL02A-08-10-19	54	BL02A-08-18-11	58	BL02A-08-28-01-02-02	52,59
BL02A-06-05-07-02	36	BL02A-08-10-20	54	BL02A-08-18-12	58	BL02A-08-28-01-03	59
BL02A-06-05-08	36	BL02A-08-10-21	54	BL02A-08-18-13	58	BL02A-08-28-01-04	59
BL02A-06-05-09	36	BL02A-08-10-22-01	54	BL02A-08-18-14	58	BL02A-08-28-01-05-01	59
BL02A-06-05-10	36	BL02A-08-10-22-02	54	BL02A-08-18-15-00	58	BL02A-08-28-01-06	59
BL02A-06-05-11-00	36	BL02A-08-10-23	54	BL02A-08-18-16	58	BL02A-08-28-02	59
BL02A-06-05-12	36	BL02A-08-10-24	54	BL02A-08-18-17	58	BL02A-08-29-01	60
BL02A-06-05-13	36	BL02A-08-10-25	54	BL02A-08-18-18	58	BL02A-08-29-02-01	60
BL02A-06-05-17	36	BL02A-08-10-28	54	BL02A-08-18-20	58	BL02A-08-29-02-02	60



PART NO.	PAGE	PART NO.	PAGE	PART NO.	PAGE	PART NO.	PAGE
BL02A-08-29-03	60	BL02A-10-04-01-00	42	BL02A-14-03A	44	BL02A-20-04	48
BL02A-08-29-04	60	BL02A-10-04-02	42	BL02A-14-04	44	BL02A-29-00	2,4
BL02A-08-29-05	60	BL02A-10-04-03	42	BL02A-14-05	44	BL02A-30-00	2,4
BL02A-08-29-06	60	BL02A-10-04-04A	42	BL02A-14-06-00	44	BL02A-32	2,4
BL02A-08-29-07A	60	BL02A-10-04-04B	42	BL02A-14-08	44	BL02A-33	2,4
BL02A-08-29-10	60	BL02A-10-04-05	42	BL02A-15-00	48	BL02A-34	2,4
BL02A-08-30-02	63	BL02A-10-04-06	42	BL02A-16-00	48	BL02A-35	2,4
BL02A-08-30-04-01	63	BL02A-10-05	42			BL02A-38-04	52
BL02A-08-30-04-02	63	BL02A-10-06-00A	42	BL02A-17-05	46	BL02A-38-05	52
BL02A-09-01	40,42	BL02A-10-06-00B	42	BL02A-17-06	46	BL02A-38-08	52
BL02A-09-02	40,42	BL02A-10-08	42	BL02A-17-07A	46	BL02A-38-10	52
BL02A-09-06	40,42	BL02A-10-10-00A	42	BL02A-17-07B	46	BL02A-38-14-04	52
BL02A-09-08	40,42	BL02A-10-10-00B	42	BL02A-17-08	46	BL02A-38-14-06-00	52
BL02A-09-09-00A	40	BL02A-10-10-01	42	BL02A-17-09	46	BL02A-38-14B-02	52
BL02A-09-09-00B	42	BL02A-10-10-02	42	BL02A-17-10	46	BL02A-38-14B-03	52
BL02A-09-09-00C	40	BL02A-10-10-03-00	42	BL02A-17-11	46	BL02A-38-14B-05A	52
BL02A-09-09-00D	42	BL02A-11-02	40,42	BL02A-17-12	46	BL02A-38-14B-05B	52
BL02A-09-09-03	40	BL02A-11-04	40	BL02A-17-13	46	BL02A-38-19	52
BL02A-09-12	40,42	BL02A-12-01	42	BL02A-17-13B	46	BL02A-38-23	52
BL02A-09-13	40,42	BL02A-13-01	43	BL02A-17-14	46	BL02A-41	48
BL02A-09-14-00	40,42	BL02A-13-02	43	BL02A-17-15	46	BL03-01-01-00	6
BL02A-09-16	40,42	BL02A-13-03	43	BL02A-17-16	46	BL03-01-01-01	8
BL02A-09-19	40	BL02A-13-04	43	BL02A-18-01-00	48	BL03-01-01-05	8
BL02A-09-22-00	40,42	BL02A-13-05	43	BL02A-19-02-00	48	BL03-01-01-09	8
BL02A-10-01	42	BL02A-13-06	43	BL02A-19-03-03-02	48	BL03-01-01-10	8
BL02A-10-03	42	BL02A-14-02L	44	BL02A-19-03-03-03	48	BL03-01-01-13	8
BL02A-10-04-00A	42	BL02A-14-02R	44	BL02A-19-04	48	BL03-01-01-16	8
BL02A-10-04-00B	42	BL02A-14-03	44	BL02A-20-02-00	48	BL03-01-01-17	8



PART NO.	PAGE	PART NO.	PAGE	PART NO.	PAGE	PART NO.	PAGE
BL03-01-01-18	8	BL03-01-34		BL03-03-36	18	BL03-05-03-14	26
BL03-01-01-19	8	BL03-01-38-02A-00	12	BL03-03-37	18	BL03-05-03-15	26
BL03-01-01-20	8	BL03-01-38-03A-00	12	BL03-04-01	20,50	BL03-05-03-16	26
BL03-01-01-21-00	8	BL03-01-38-04	12	BL03-04-08	20	BL03-05-03-19	26
BL03-01-02-00	6	BL03-02-05	14	BL03-04-09	20	BL03-05-03-20	26
BL03-01-02-09	10	BL03-02-09	14	BL03-04-10	20	BL03-05-03-21	26
BL03-01-02-16	10	BL03-02-12-00A	14,32	BL03-04-11	20	BL03-05-04	22
BL03-01-02-18	10	BL03-02-14	14	BL03-04-13	20	BL03-05-08-02-00	27
BL03-01-02-21	10,60,63	BL03-02-15	14	BL03-04-15	20	BL03-05-08-05-04	27
BL03-01-02-23	10	BL03-02-17	14	BL03-04-22	20	BL03-05-08-05-05-00	27
BL03-01-02-24	10	BL03-02-18	14	BL03-04-25	20	BL03-05-08-05-07A	27
BL03-01-02-24A	10,62	BL03-02-18A	14	BL03-04-26	20	BL03-05-08-06	27
BL03-01-02-30	10	BL03-02-21	14	BL03-04-27	20	BL03-05-08-07	27
BL03-01-02-32	6,10	BL03-02-37-00	14	BL03-04-29	20	BL03-05-08-11A	27
BL03-01-06-00	6	BL03-02-41	14	BL03-04-30	20	BL03-05-18	22
BL03-01-08	6	BL03-03-02	18	BL03-05-01A	26	BL03-05-21	24,26
BL03-01-09-00	6	BL03-03-06	18	BL03-05-01B	26	BL03-05-23	24
BL03-01-10	6	BL03-03-09-00	18	BL03-05-01C	22	BL03-05-27	22
BL03-01-11-00	6	BL03-03-10	18	BL03-05-02-00	22	BL03-05-28-01	24
BL03-01-12	6,12	BL03-03-12	18	BL03-05-03-01	22,26	BL03-05-28-03	24
BL03-01-13	6,12	BL03-03-19-00	18	BL03-05-03-02	26	BL03-05-28-04	24
BL03-01-16	6	BL03-03-24	18	BL03-05-03-03	26	BL03-05-31	22
BL03-01-20	6	BL03-03-26	18	BL03-05-03-04	26	BL03-06-01-00	28
BL03-01-24	6	BL03-03-32-00	18	BL03-05-03-05	26	BL03-06-01-01	30
BL03-01-26	6	BL03-03-32-01-00	18	BL03-05-03-06	26	BL03-06-01-04-00	30
BL03-01-27	6	BL03-03-32-02	18	BL03-05-03-08	26	BL03-06-01-04-07	30
BL03-01-31	6	BL03-03-34-00	18	BL03-05-03-09	26	BL03-06-01-05-00	30
BL03-01-33A-00	6,12	BL03-03-35	18	BL03-05-03-11	26	BL03-06-01-05-01-00	30



PART NO.	PAGE	PART NO.	PAGE	PART NO.	PAGE	PART NO.	PAGE
BL03-06-01-05-02	30	BL03-06-04-04	34	BL03-08-10-14	54	BL03-08-30-01-00	63
BL03-06-01-06-00	30	BL03-06-04-05	34	BL03-08-10-15	54	BL03-08-30-03-00	63
BL03-06-01-06-01	30	BL03-06-05-00	28	BL03-08-10-16	54	BL03-09-04	40
BL03-06-01-07-00	30	BL03-06-05-00	36	BL03-08-10-30	54	BL03-09-07	40,42
BL03-06-01-07-01	30	BL03-06-05-14	36	BL03-08-10-31	54	BL03-09-11	2,4,40
BL03-06-01-09	30,32	BL03-06-05-15	36	BL03-08-10-32-00	54	BL03-09-20	40,42
BL03-06-01-10	30	BL03-06-05-16-01	36	BL03-08-10-33	54	BL03-10-02-00	42
BL03-06-01-11	30	BL03-06-05-19-01	36	BL03-08-17-02-00	62	BL03-10-07	42
BL03-06-01-13	30	BL03-06-05-19-03	36	BL03-08-17-06-00	62	BL03-10-11	42
BL03-06-01-13A-00	30	BL03-06-05-19-04	36	BL03-08-17-07	62	BL03-14-01L	44
BL03-06-01-13A-01	30	BL03-06-05-19-05	36	BL03-08-17-14	62	BL03-14-01R	44
BL03-06-01-13A-02	30	BL03-06-05-20	36	BL03-08-17-15	62	BL03-14-07-00AL	44
BL03-06-01-13A-03	30	BL03-06-06-00	28	BL03-08-17-16	62	BL03-14-07-00AR	44
BL03-06-01-13A-04	30	BL03-07-03	38	BL03-08-18-01	58	BL03-14-07-00BL	44
BL03-06-01-15	30	BL03-07-04-02	38	BL03-08-18-02-00	58	BL03-14-07-00BR	44
BL03-06-01-19-00	30	BL03-07-04-03B	38	BL03-08-18-06	58	BL03-17-01-00	46
BL03-06-02-00	28	BL03-07-07A	38	BL03-08-18-19	58	BL03-17-02-00	46
BL03-06-02-05	32	BL03-08-01-02-00	56	BL03-08-18-23	58	BL03-17-03-00A	46
BL03-06-02-10-01	32	BL03-08-10-03-00	54	BL03-08-18-28-00	58	BL03-17-03-00B	46
BL03-06-02-11-01	32	BL03-08-10-05A	54	BL03-08-18-35	58	BL03-17-30-00	46
BL03-06-02-11-04	28,32	BL03-08-10-05B	54	BL03-08-18-37	58	BL03-17-30-02	46
BL03-06-02-17	32	BL03-08-10-06	54	BL03-08-21-00A	40	BL03-17-30-03	46
BL03-06-03-03	33	BL03-08-10-08	54	BL03-08-21-00B	40	BL03-17-30-04	46
BL03-06-03-04	33	BL03-08-10-09	54	BL03-08-22-00	56	BL03-17-30-05	46
BL03-06-03-07	33	BL03-08-10-10	54	BL03-08-26	56	BL03-17-30-06	46
BL03-06-04-00	28	BL03-08-10-11	54	BL03-08-27	56	BL03-17-30-08	46
BL03-06-04-01-01B	34	BL03-08-10-13-02-00	54	BL03-08-29-08	60	BL03-17-30-09	46
BL03-06-04-01-02-00B	34	BL03-08-10-13-03-00	54	BL03-08-29-09	60	BL03-17-30-10	46

PART NO.	PAGE	PART NO.	PAGE	PART NO.	PAGE	PART NO.	PAGE
BL03-17-30-11	46	BL03-38-18	52	BL05-01-07-06A	6	BL05-27-00	2,4
BL03-17-30-12	46	BL03-38-20	52	BL05-01-07-06B	6	BL05-28-00	4
BL03-19-01-00	48	BL03-38-21	52	BL05-01-35D	6	BL05-28-00A	2
BL03-19-03-03-00	48	BL03-38-22A	52	BL05-01-38-00	6	BL05-31	2,4
BL03-19-03-03-01	48	BL03-38-22B	52	BL05-01-38-01C	12	BL05-40-01	48
BL03-19-05-00	48	BL03-55B-10	42	BL05-01-40-00	6,12	BLB001-06	8,10, 24,27,50
BL03-20-01-00	48	BL04-06-03-00	28	BL05-07-01	38	BLB001-08	6,12
BL03-20-03-00	48	BL04-06-03-01-00	33	BL05-07-02	38	BLB001-10	22
BL03-20-05-00	48	BL04-06-03-02	33	BL05-07-08-00	38	BLB001-12	50,52,59
BL03-21-01-00	50	BL04-06-03-05-00	33	BL05-21-01-01-00L	50	CEBL05-01-02-01-00	2
BL03-21-01-01	50	BL04-09-21-00	40	BL05-21-01-01-00R	50	CEBL05-01-02-01-00A	4
BL03-21-01-02	50	BL04-10-09-00	42	BL05-21-01-02-00	50	CEBL05-01-02-02	2,4
BL03-21-01-03	50	BL04-11-03-00	40	BL05-21-01A-03	50	CEBL05-01-02-03	2,4
BL03-21-01-05	50	BL04-12-03-00	42	BL05-21-03-00L	50	CEBL05-01-02-04	2,4
BL03-38-01-00	52	BL04-21-02-03-00	50	BL05-21-03-00R	50	CEBL05-01-03-01-00	4
BL03-38-02-00	52	BL04-21-02-04	50	BL05-21-03-01-00A	50	CEBL05-01-03-01-00A	2
BL03-38-03	52	BL04-21-02-05	50	BL05-21-03-02-00A	50	CEBL05-21-04-02-00	50
BL03-38-07	52	BL04-21-02A-00	50	BL05-21-03-02-01-00A	50	CEBL05-21-04A-00	50
BL03-38-11	52	BL04-21-02A-01	50	BL05-21-03-02-02-00A	50	CEBL05-21-04A-01-00	50
BL03-38-12	52	BL04-21-02A-02	50	BL05-21-03-03-00	50	CEBL05-21-04B-00	50
BL03-38-13B	52	BL04-21-02B-00	50	BL05-21-03-06-00	50	CEBL05-21-04B-01-00	50
BL03-38-14B-00A	52	BL04-21-02B-01	50	BL05-21-03-06-01-00	50	CEBL05-31	2,4
BL03-38-14B-00B	52	BL04-21-02B-02	50	BL05-21-03-06-03A	50	CEBL05-38-12	52
BL03-38-14B-01-00	52	BL04-21-03-07	50	BL05-21-03-06-04	50	CEBL05B-02-01-00	2,4
BL03-38-15	52	BL04-21-03-09	50	BL05-21-03-06-05	50	CEBL05B-02-02-00	2,4
BL03-38-16A	52	BL04-21-05-02	50	BL05-21-03-09A	50	CEBL05B-02-03-00A	4
BL03-38-16B	52	BL05-01-07-00	12	BL05-21-05-01-00	50	CEBL05B-02-03-00B	2
BL03-38-17	52	BL05-01-07-02-00	2,4,6	BL05-21-05-02-00	50		

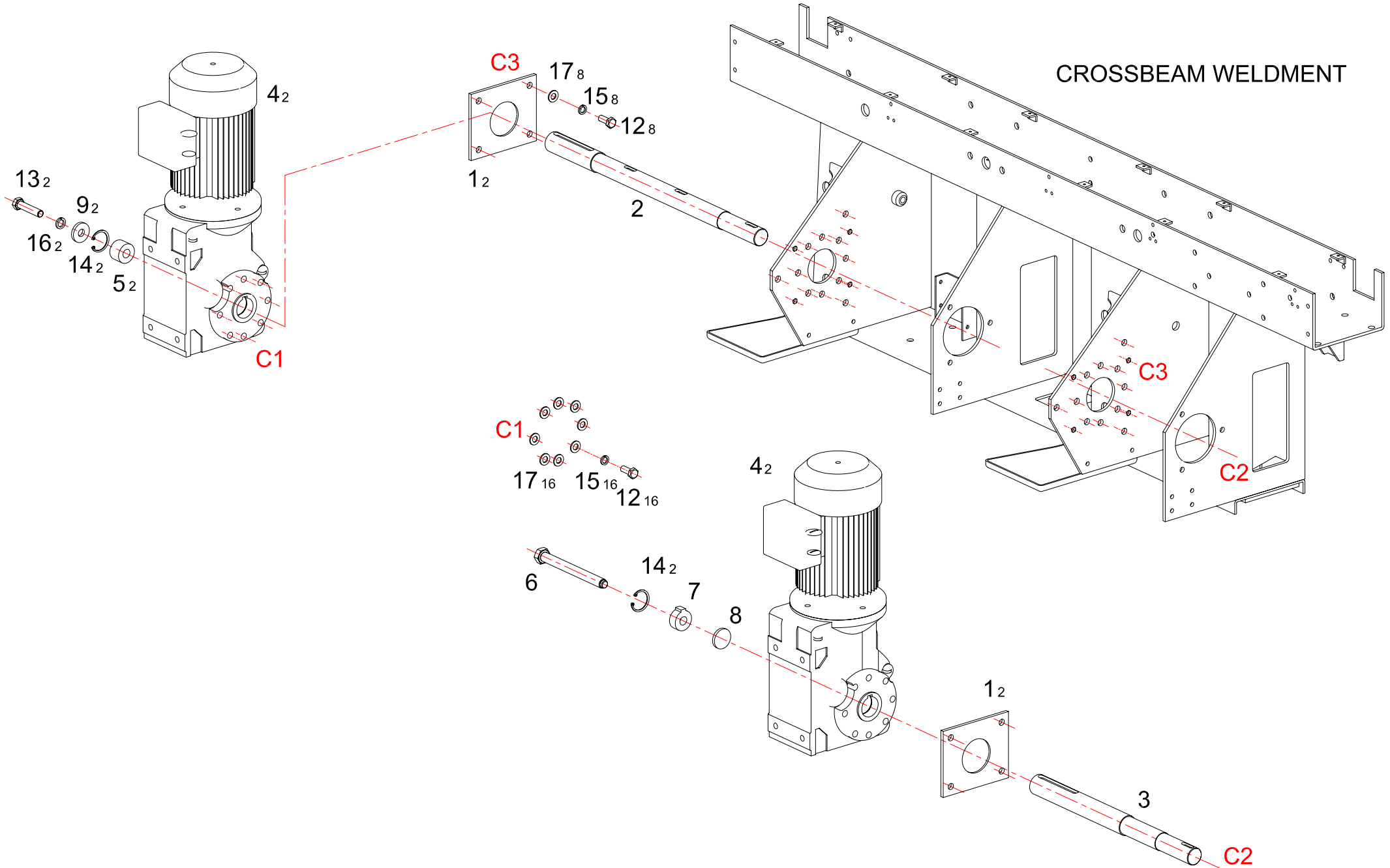
PART NO.	PAGE	PART NO.	PAGE	PART NO.	PAGE	PART NO.	PAGE
CEBL05B-02-04-00A	4	GB1096-79 6X36	54	GB/T 5782-2000 M10X55	18,	GB/T 5782-2000 M8X110	40,42
CEBL05B-02-04-00B	2	GB1096-79 6X40	52		22,26	GB/T 5782-2000 M8X50	50
CEBL05B-02-05-01	2,4	GB1096-79 8X7X28	6,12	GB/T 5782-2000 M10X60	18,20	GB/T 5782-2000 M8X55	50
CEBL05B-02-05-02-00	2,4	GB1096-79 10X8X100	6,12	GB/T 5782-2000 M10X70	22	GB/T 5782-2000 M8X60	10,58
CEBL05B-02-06	2,4	GB1099-79 3X5X13	34	GB/T 5782-2000 M12X45	40,42	GB/T 5782-2000 M8X65	33,50
CEBL05B-02-07	2,4	GB1152-89 M10X1	43,54	GB/T 5782-2000 M12X50	8,18	GB/T 5782-2000 M8X70	2,4
CEBL05B-02-08	2,4	GB1152-89 M6	6,8,14,	GB/T 5782-2000 M12X55	22	GB/T 5782-2000 M8X75	50
CEBL05B-02-10-00	2,4		40,42	GB/T 5782-2000 M12X60	8	GB/T 5782-2000 M8X80	18,33,
CEBL05B-02-11-00	2,4	GB124-74 70X2965	28	GB/T 5782-2000 M12X65	12		50
CEBL05B-02-12-00	2,4	GB12618-90 5X13	40,42	GB/T 5782-2000 M4X40	36	GB/T 5783-2000 M10X20	40,42
CEBL05B-02-13-00	2,4	GB12618-90 5X20	18	GB/T 5782-2000 M6X20	2,4	GB/T 5783-2000 M10X25	2,4,
CEBL05B-02-14-00	2,4	GB227-89 80102	8	GB/T 5782-2000 M6X25	12,50		44,58
CEBL05B-02-15-00	2,4	GB272-1993 UC206	6,12	GB/T 5782-2000 M6X35	62	GB/T 5783-2000 M10X30	58
CEBL05B-07-04-01	38	GB276-89 80201	54	GB/T 5782-2000 M6X40	16	GB/T 5783-2000 M10X35	14,
CEBL05B-07-04-02A	38	GB276-89 6201	50	GB/T 5782-2000 M6X45	2,4,		20,22,26
CEBL05B-07-04-02B	38	GB278-89 80202	30		14,16	GB/T 5783-2000 M12X45	42
CEBL05B-07-04-03	38			GB/T 5782-2000 M6X55	54	GB/T 5783-2000 M4X10	32
CEBL05B-07-04-04	38	GB278-89 80204	43,48	GB/T 5782-2000 M6X75	14	GB/T 5783-2000 M5X25	32
CF 10K	6,10,58	GB297-84 2007105E	8	GB/T 5782-2000 M6X95	14	GB/T 5783-2000 M6X12	14,32
CF 6	36	GB297-84 2007109E	8	GB/T 5782-2000 M8X110	40,42	GB/T 5783-2000 M6X16	6,14,
CF 8	26	GB/T 5782-2000 M10X100	10	GB/T 5782-2000 M8X20	48		38
DK31.75X38.1X25.4	30	GB/T 5782-2000 M10X110	18	GB/T 5782-2000 M8X25	10,	GB/T 5783-2000 M6X20	14,34,
ERS 5/8"	20	GB/T 5782-2000 M10X25	48		12,18,48		52,58
GB/T 12-1988 M12X55	22	GB/T 5782-2000 M10X40	12,	GB/T 5782-2000 M8X30	50	GB/T 5783-2000 M6X25	6,14,
GB/T 12-1988 M8X16	50		14,26	GB/T 5782-2000 M8X35	18		26,30,34,
GB1096-79 3X15	52	GB/T 5782-2000 M10X45	6,12	GB/T 5782-2000 M8X40	50,52		36,40
GB1096-79 5X35	52	GB/T 5782-2000 M10X50	2,4,	GB/T 5782-2000 M8X100	6,33,	GB/T 5783-2000 M6X30	30
GB1096-79 5X50	52		18,22		54		

PART NO.	PAGE	PART NO.	PAGE	PART NO.	PAGE	PART NO.	PAGE
GB/T 5783-2000 M8X16	26,36 62	GB/T 70.1-2000 M10X20	40	GB/T 70.3-2000 M8X30	56	GB860-87 4	14
GB/T 5783-2000 M8X20	2,4,6, 38,40,42, 50,52,56	GB/T 70.1-2000 M10X30	40	GB/T 70.3-2000 M8X40	2,4,48	GB862.2-2000 5	14,32
GB/T 5783-2000 M8X25	2,4,6, 14,42,46, 50,54,58	GB/T 70.1-2000 M12X130	6,12	GB/T 80-2000 M6X10	48	GB867-86 3X15	6,12
GB/T 5783-2000 M8X30	44	GB/T 70.1-2000 M5X10	27	GB/T 80-2000 M6X12	48,50	GB867-86 5X16	18
GB/T 6170-2000 M10	14,18, 20,22,26, 54,58,62	GB/T 70.1-2000 M5X12	52	GB/T 80-2000 M6X25	32	GB869-86 3X8	52
GB/T 6170-2000 M10L	18,22, 26	GB/T 70.1-2000 M5X16	27,30	GB/T 80-2000 M6X45	22	GB873-86 5X15	36
GB/T 6170-2000 M12	18,46,58	GB/T 70.1-2000 M5X20	40,42	GB/T 80-2000 M8X8	10,52, 60,63	GB876-86 4X13	40,42
GB/T 6170-2000 M12L	18	GB/T 70.1-2000 M6X20	30,48	GB/T 80-2000 M8X10	20,52	GB879-86 2X16	10,34
GB/T 6170-2000 M16	18	GB/T 70.1-2000 M6X30	20	GB/T 80-2000 M8X12	33,54	GB879-86 2X20	43
GB/T 6170-2000 M4	6,8,10,12, 14,22,32	GB/T 70.1-2000 M8X25	20,48	GB/T 80-2000 M8X16	60	GB879-86 3X20	8,10,46
GB/T 6170-2000 M5	32,38	GB/T 70.1-2000 M8X30	48	GB/T 80-2000 M8X20	26	GB879-86 3X24	26
GB/T 6170-2000 M5L	32	GB/T 70.1-2000 M8X45	16	GB812-88 M50X1.5	54	GB879-86 4X24	32,42,52
GB/T 6170-2000 M6	22,26	GB/T 70.1-2000 M8X65	56	GB818-85 M3X8	50	GB879-86 4X35	8
GB/T 6170-2000 M6L	26	GB/T 70.2-2000 M5X16	32	GB818-85 M4X16	10	GB879-86 5X14	27
GB/T 6170-2000 M8	2,4,6,10, 14,18,20, 26,33,36,50	GB/T 70.2-2000 M5X20	14	GB818-85 M4X25	14	GB879-86 5X22	36
GB/T 6187.1-2000 M12	54	GB/T 70.3-2000 M10X20	43	GB818-85 M4X30	22	GB879-86 5X30	36
GB68-85 M3X8	54	GB/T 70.3-2000 M10X25	44	GB818-85 M4X65	6,12	GB879-86 5X40	20
		GB/T 70.3-2000 M10X60	46	GB818-85 M5X12	26	GB879-86 6X20	58
		GB/T 70.3-2000 M6X12	40	GB818-85 M5X16	6,12,38	GB879-86 8X45	30
		GB/T 70.3-2000 M6X16	2,4, 48	GB818-85 M6X16	38	GB/T 889.1-2000 M10	2,4,6, 10,14,20,22, 26,40,44,48, 52,56,58,63
		GB/T 70.3-2000 M6X20	48	GB819-85 M3X16	27	GB/T 889.1-2000 M12	2,4,6,8, 12,22,36, 40,42,50, 52
		GB/T 70.3-2000 M6X30	30	GB819-85 M6X16	28		
		GB/T 70.3-2000 M6X40	16	GB819-85 M8X20	52		
		GB/T 70.3-2000 M8X20	40,48 52	GB821-88 M6X25	26		
		GB/T 70.3-2000 M8X25	2,4, 42,52	GB821-88 M6X40	26		
				GB845-85 M4X10	38		
				GB848-85 10	22,26		



PART NO.	PAGE	PART NO.	PAGE	PART NO.	PAGE	PART NO.	PAGE
GB/T 889.1-2000 M14	8	GB896-85 16	18	GB97.1-85 6	2,4,6,10,	SI 10F	18
GB/T 889.1-2000 M16	20,22	GB91-86 4X28	46		12,30,36,	SI 5F	32
GB/T 889.1-2000 M4	6,12,26,	GB923-88 M8	62		38,40,48,	SI 5F L.H.	32
	36	GB93-87 10	44,46		52,54,58,62	SI 6F	26
GB/T 889.1-2000 M5	2,4,6,10,	GB93-87 12	8,42,46,50	GB97.1-85 8	2,4,6,10,	SI 6F L.H.	26
	14,32,38	GB93-87 16	46		12,18,20,	SI 8F	14,36
GB/T889.1-2000 M6	12,14,16,	GB93-87 4	22		38,42,44,48,	SI 10F	58,62
	20,24,26,	GB93-87 5	6,12,30,38		50,52,54,	SOLENOID-50	10
	27,30,32,34,	GB93-87 6	6,14		56,58,62,63	SOLENOID-60	10
	36,38,40,48,			HFL2530	54	SSH-0374-1	52
	52,54,58,62	GB93-87 8	6,42,46	HK 0808	30	SSH-0374-2	52
GB/T 889.1-2000 M8	2,4,6,10,		52,54,62	HK 31.75X38.1X25.4	30	WCH2-L	52
	12,14,18,	GB9485-88 M16X1.5	46	QTH00	54	WCH2-R	52
	20,24,26,	GB96-85 10	2,4	NTA2031	30	Z-15G-B	6,12
	33,38,40,	GB97.1-85 10	2,4,6,10,	R14	20,22	Z-15GD-B	14,22
	42,44,48,50,		12,14,18,	SA 10F	14,18,22,	Φ42XΦ10X3	50
	52,54,56,58		20,44,46,		26		
GB893.1-86 35	30,36,50,62		56,58	SA 10F L.H.	18,22,26		
GB893.1-86 40	20,22	GB97.1-85 12	6,12,18,	SA 10K	18		
GB893.1-86 47	50		22,36,40,	SA 12F	18		
GB893.1-86 55	30		50,52	SA 12F L.H.	18		
GB894.1-86 12	42,50,58	GB97.1-85 16	10,46	SA 8F	33		
GB894.1-86 16	36,54,60	GB97.1-85 4	6,10,12,	SAE AMS 7205E 1/8"	52		
GB894.1-86 19	54,59,62		36	SAE AMS 7205E 3/16"	52		
GB894.1-86 6	32	GB97.1-85 5	6,12,14,	SCP 10	14		
GB894.1-86 8	58,62		18,30,38	SCP 16	22		
GB894.1-86 9	30,32			SCP 6	34		
GB896-85 15	40,42						

# APPENDIX. A-1 FRONT END DRIVER ASS'Y



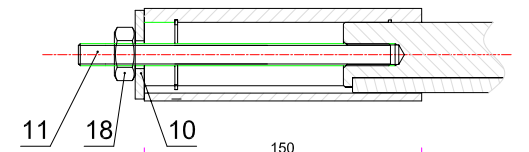


ITEM	PART NO.	DESCRIPTION
1	BL05-01-40-00	BRACKET
2	BL05-01-35D	TABLE DRIVE SHAFT
3	BL05-01-38-01C	SWEEP DRIVE SHAFT
4	KA47EM80N4/B/HR	MOTOR & GEARBOX(SEW)
5	BL05-59-01	SPACER
6	BL05-59-02	REMOVAL BOLT
7	BL05-59-03-00	REMOVAL NUT
8	BL05-59-04	REMOVAL WASHER
9	φ34Xφ13X5	WASHER
10	BL05-59-05	INSTALL WASHER
11	BL05-59-06	INSTALL SCREW PIN
12	GB/T 5783-2000 M8X25	HEX CAP SCREW
13	GB/T 5783-2000 M12X55	HEX CAP SCREW
14	GB893.1-86 35	RETAINING RING
15	GB93-87 8	SPRING WASHER
16	GB93-87 12	SPRING WASHER
17	GB97.1-85 8	FLAT WASHER
18	GB/T 6170-2000 M12	NUT
19		
20		
21		
22		
23		
24		
25		
26		

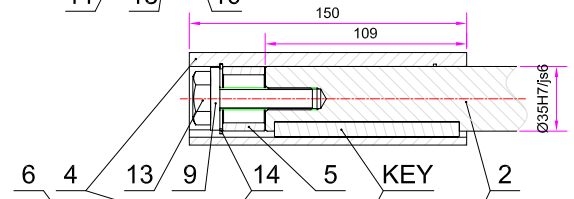
ITEM	PART NO.	DESCRIPTION
------	----------	-------------

HOW TO INSTALL AND REMOVE THE SHAFT

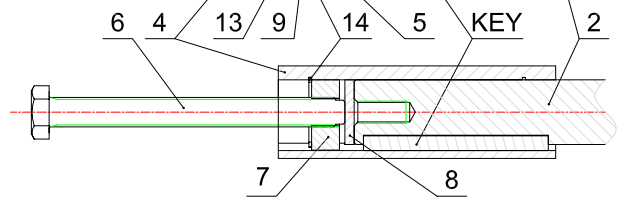
A、INSTALLING



B、INSTALLED



C、REMOVAL





**VIA** BOWLING PRODUCTS

SHANGHAI ZHONGLU INDUSTRIAL CO.,LTD

#888 San Zao Industrial Park  
Nan Hui,Shanghai 201300,China PRC  
Tel: +86-21-58037139  
Fax: +86-21-58037140  
E-mail: [into@viabowlingproducts.com](mailto:into@viabowlingproducts.com)  
Website: [www.viabowlingproducts.com](http://www.viabowlingproducts.com)